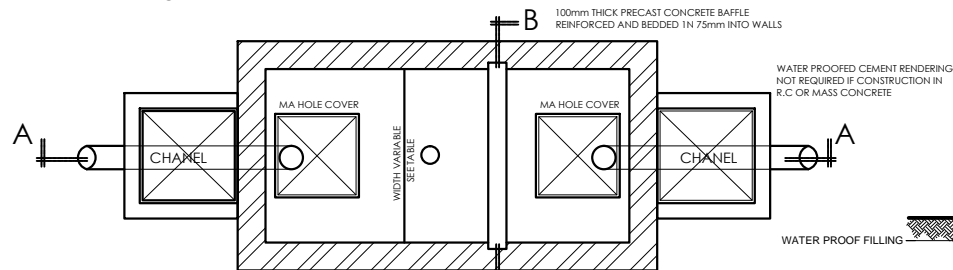
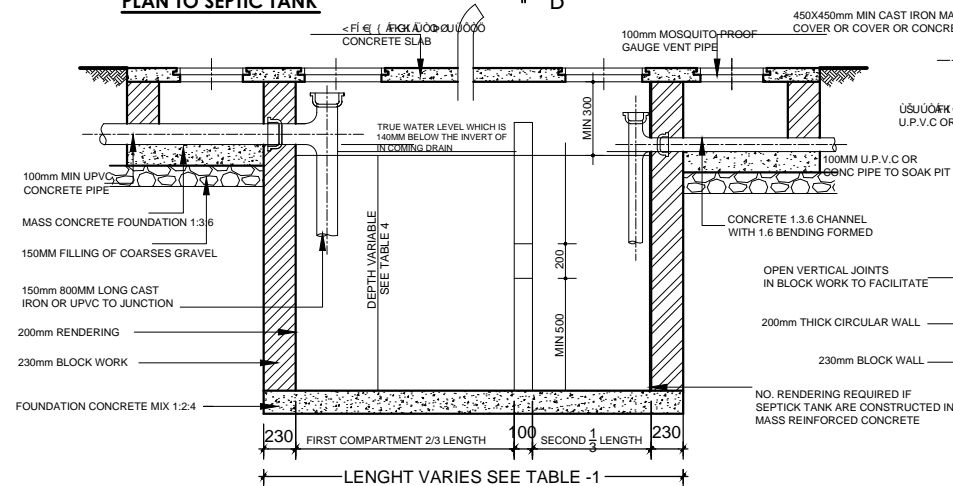


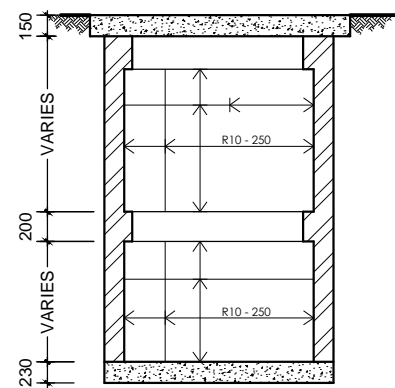
SEPTIC TANK REINFORCEMENT ARRANGEMENT



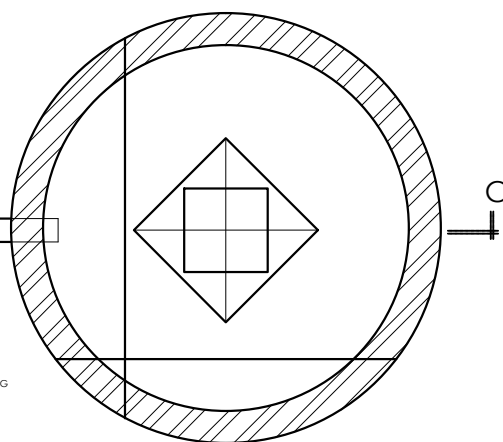
PLAN TO SEPTIC TANK



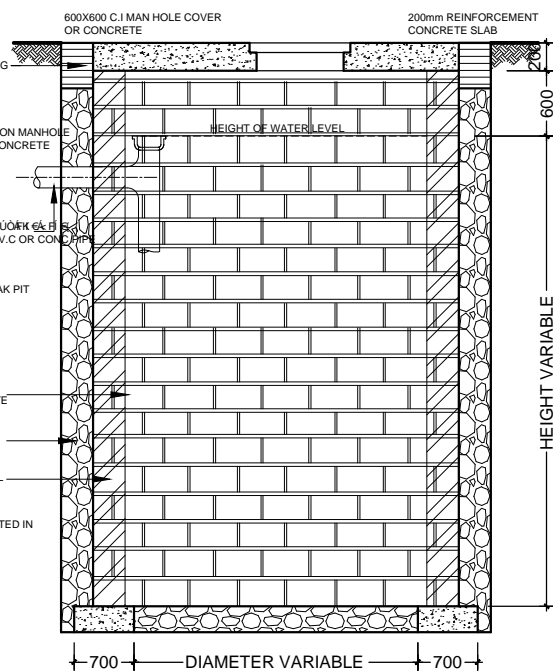
SECTION A:A



SECTION B-B REINFORCED CONCRETE



SOAKAGE PIT REINFORCEMENT ARRANGEMENT



SECTION C:C

ALTERNATIVES

- SEALED CESSPIT TO BE USED WHEN SOIL CONDITIONS FALLS BELOW THE MINIMUM PERCOLATIONS FACTOR AND DISTANCE TO THE NEAREST SEWER IS VERY FAR
- DRAINFED TRENCHES PREFERRED TO SOAKAGE PITS IF SPACE PERMITS
- APPLICATION CAN BE MADE TO THE AUTHORITY FOR CONNECTION TO LOCAL SEWER
- FURTHER ASSISTANCE REGARDING SANITATION MAY BE OBTAINED FROM HEALTH INSPECTORS

• MASS OR REINFORCED CONCRETE WALL CAN BE USED INSTEAD OF BLOCKS

• THE TANK SHALL BE OF WATER TIGHT CONSTRUCTION RENDERED WITH WATER PROOFED POWDER OR OTHER APPROVED MATERIALS

DISTANCE REQUIRED FOR SEPTIC TANKS AND SOAKWAYS		
MINIMUM DISTANCE FROM	SEPTIC	SOAK WAY
BUILDING	1.5	3.5
PROPERTY BOUNDARIES	1.5	1.5
WELLS	3.00	3.00
CUTS OR EMBARKMENTS	7.5	3.00
WATER PIPES	3.0	3.0
LARGE TREES	3.0	3.0

- FOR DIAMETER UP TO 3.00 USER 10, 290mm c/c
- FOR DIAMETER UP TO 3.50M USER 10, 290MM C/C
- ARRANGEMENTS OF REINFORCEMENT AS SHOWN
- BENDING SCHEDULE VARIES WITH THE DIAMETER OF SOAK PIT AS WALL AS SIZES OF SEPTIC TANK

SEPTICK TANK SIZES TABLE 1					
TYPES	ALL WASTES NO OF USERS	DIMENSION LENGTH(mm)	WIDTH(mm)	DEPTH(mm)	VOLUMES M ³
1	7	1600	800	1500	181
2	15	2300	1100	1500	3.87
3	30	3200	1600	1500	7.74
4	40	3600	1900	1500	10.33
5	50	4100	2100	1500	12.92
6	60	4500	2300	1500	15.48
7	75	4600	2300	1800	19.35
8	85	4900	2400	1800	21.93
9	130	5500	2750	2200	33.54

BAR BENDING SCHEDULE			
BAR MARK	LENGTH	TYPE	SHAPE
01	VARIABLES	R10	100 L 100
02	"	R10	100 L 100
03	"	R10	100 L 100
04	"	R10	100 L 100
05	"	R10	100 L 100
06	"	R10	100 L 100
07	"	R10	100 L 100
08	"	R10	100 L 100

- ALL DIMENSIONS ARE IN MILLIMETERS
- SOIL PERMEABILITY TEST MUST BE CONDUCTED AT PLOT SITE EFFLUENT DISPOSAL BY SOAKING IS NOT APPLICABLE WHERE SOIL ARE NON POROUSEG CRAY OR STANDARD PERCOLATION RATE IN ACCESS OF 600min PER 15min

CORRESPONDING DIMENSION SOAK WAYS		
NO. OF USERS	DIAMETER (M)	DEPTH (M)
7	1.5	1.8
15	1.7	1.85
30	2.1	2.0
40	2.35	2.1
50	2.61	2.2
60	2.85	2.3
75	2.23	2.45
85	3.5	2.5
130	4.1	3.0

- N.B**
- THESE DIMENSIONS ONLY APPLY FOR POROUS SOIL
 - FOR NON POROUS SOILS EG CLAY AND WHERE WATER TABLE IS VERY HIGH OTHER MEANS OF DISPOSAL e.g SEWER CONNECTION MUST BE APPLIED
 - ALTERNATIVELY THESE DIMENSIONS (IN PARTICULAR THE DIAMETER) MAY BE DOUBLED TO CREATE LONGER RETENTION PERIOD DUE TO INFILTRATION

Building Section
 Planning and Policy Department
 Ministry of Health, Community Development,
 Gender Elderly and Children.
 University of Dodoma
 College of Humanities and Social Science 11th
 Building, P.O. Box 743,
 40478 Dodoma

In Collaboration with President's Office, Regional Administration
 and Local Governments.
 Sokoine Building,
 P.O. Box 1923,
 41185 Dodoma

Client
 PRESIDENT'S OFFICE, REGIONAL ADMINISTRATION AND LOCAL GOVERNMENTS,
 MKAPA BUILDING, P.O. BOX 1923, 41185 DODOMA

Project
 STANDARD DESIGN FOR COUNCIL LEVEL HOSPITALS IN TANZANIA

Drawing title SEPTIC & SOAKAWAY PIT	
Project number 24 APRIL 2018	STP A/101 n.t.s
Drawn by JCR	
Checked by DCNM	