

THE UNITED REPUBLIC OF TANZANIA



PRESIDENT'S OFFICE
REGIONAL ADMINISTRATION AND LOCAL GOVERNMENT

PROPOSED STANDARD COUNCIL LEVEL HOSPITALS

Schedule of Material, Labour & Drawings for Maternity Ward

PROJECT AREA

TANZANIA MAINLAND

Ministry of Health, Community
Development, Gender, Elderly and Children,
University of Dodoma,
College of Humanities,
& Social Science 11th Building,
P. O. Box 743,
40478 DODOMA.

President's Office,
Regional Administration,
& Local Government,
Mkapa House,
Mlezi Road,
P. O. Box 1923,
41185 DODOMA.

APRIL, 2018

PO-RALG

Schedule of Material

| ITEM | DESCRIPTION | QTY | UNIT | PRICE-TZS | AMOUNT |
|----------|---|-------|----------------|-----------|--------|
| | <u>MATERIALS</u> | | | | |
| A | SUBSTRUCTURE - PROVISIONAL | | | | |
| 1 | <u>Strip Foundation - Grade 15 Plain</u> | | | | |
| | Aggregate (3/4") | 80 | M ³ | | |
| | Sand | 40 | M ³ | | |
| | Cement-50kgs | 360 | Bags | | |
| 2 | <u>Foundation Walls</u> | | | | |
| | 6" Cement & Sand Block | 6,062 | No | | |
| | Sand | 20 | M ³ | | |
| | Cement -50kgs | 105 | Bags | | |
| 3 | <u>Moram, Hardcore & Site sterilization</u> | | | | |
| | Moram (Lorry 4.5M ³) | 61 | Trips | | |
| | Hardcore (Lorry 4.5M ³) | 32 | Trips | | |
| | Sand | 23 | M ³ | | |
| | Aldrin solution or equal and other approved | 452 | Litres | | |
| 4 | <u>Oversite Concrete (100mm thick - 15 grade) Ground Beam - 20 grade and Column base</u> | | | | |
| | DPM | 905 | M ² | | |
| | Cement -50kgs | 637 | Bags | | |
| | Aggregates (1/2") | 120 | M ³ | | |
| | Sand | 61 | M ³ | | |
| | Reinforcement - 16mm diameter high tensile | 5 | PC'S | | |
| | Reinforcement - 12mm diameter high tensile | 162 | PC'S | | |
| | Reinforcement - 8mm diameter | 209 | PC'S | | |
| | Timber 1" X 8" (5.2m long) | 45 | PC'S | | |
| | Timber 2" X 2" | 30 | PC'S | | |
| | Nails-4" | 35 | Kgs | | |
| | Nails-3" | 20 | Kgs | | |
| | Supporting props | 55 | PC'S | | |
| | 20 mm styropol compressive expansion joint material or other equal approved | 5 | PC'S | | |
| | SUB-TOTAL SUB STRUCTURE | | | | |

| ITEM | DESCRIPTION | QTY | UNIT | PRICE-TZS | AMOUNT |
|-----------|--|--------|----------------|------------|--------|
| B. | SUPERSTRUCTURE | | | | |
| 1 | <u>Walls, Columns & Ring beam</u> | | | | |
| | 6" Cement & Sand Block | 14,733 | No | | |
| | DPC (20m long) | 25 | Roll | | |
| | Sand | 75 | M ³ | | |
| | Cement-50kgs | 513 | Bags | | |
| | Aggregates (1/2") | 27 | M ³ | | |
| | Reinforcement - 16mm diameter high tensile | 13 | PC'S | | |
| | Reinforcement - 12mm diameter high tensile | 201 | PC'S | | |
| | Reinforcement - 8mm diameter | 214 | PC'S | | |
| | Binding Wire - 1kg | 45 | Bundle | | |
| | Timber 1" X 8" to Sides (5.2m long) | 70 | PC'S | | |
| | Timber 1" X 5" (Plates) | 78 | PC'S | | |
| | Timber 2" X 2" | 40 | PC'S | | |
| | Supporting Props | 185 | PC'S | | |
| | SUB-TOTAL SUPER STRUCTURE | | | | |
| C. | ROOF STRUCTURE & COVERING | | | | |
| 1 | <u>Roof Structure - Provisional</u> | | | | |
| | Timber 2" X 3" purlins | 4,302 | FT | | |
| | Timber 2" X 4" kingpost, struss & Wall plate | 8,846 | FT | | |
| | Timber 2" X 6" rafters and tie beam | 6,426 | FT | | |
| | Fascia board 1" X 10" (5.2m long) | 31 | PC'S | | |
| | Nails -5" | 85 | Kgs | | |
| | Nails -4" | 75 | Kgs | | |
| | Nails -3" | 55 | Kgs | | |
| | NOTE: The above soft wood timber structure should be pressure impregnated treated | | | | |
| | TO COLLECTION | | | B/F | |

SCHEDULE OF MATERIALS

MATERNITY WARD - (GROSS FLOOR AREA =1040 SQ.M)

| ITEM | DESCRIPTION | QTY | UNIT | PRICE-TZS | AMOUNT |
|-----------|--|--------|----------------|-----------|--------|
| | | | | C/F | |
| 2 | <u>Roof Covering -as per ALAF or other equal approved</u> | | | | |
| | 28G IT5 resin coated sheet | 1,245 | M ² | | |
| | Hips/Ridge - 28 G | 55 | PC'S | | |
| | valley - 28 G | 20 | PC'S | | |
| | Roofing Nails | 28 | Packet | | |
| 3 | <u>Gutter's -Provisional</u> | | | | |
| | Upvc 125mm half round (6m long)-5" | 32 | PC'S | | |
| | Upvc 75mm diameter down pipe; Class B | 5 | PC'S | | |
| | PVC outlet | 5 | PC'S | | |
| | PVC bend 90' | 5 | PC'S | | |
| | PVC bend 45' | 10 | PC'S | | |
| | Gutter support bracket | 195 | PC'S | | |
| | Gutter Clamp 3" | 15 | PC'S | | |
| | Connector/reducer | 20 | PC'S | | |
| | Corner outlet | 10 | PC'S | | |
| | Corner inner | 6 | PC'S | | |
| | SUB-TOTAL ROOF STRUCTURE & COVERING | | | | |
| D. | CEILING | | | | |
| | Gypsum board -9mm thick | 315 | PC'S | | |
| | Plain Cornice (8ft) | 368 | PC'S | | |
| | Screw 1.25" 500pcs/box | 98 | Box | | |
| | Gypsum powder | 52 | Bags | | |
| | Fibre tape | 9 | Pcs | | |
| | Treatedd soft wood timber 2" X 2" | 13,989 | FT | | |
| | Nails 4" | 55 | Kgs | | |
| | Nails 3" | 40 | Kgs | | |
| | SUB-TOTAL FOR CEILING | | | | |

SCHEDULE OF MATERIALS

MATERNITY WARD - (GROSS FLOOR AREA =1040 SQ.M)

| ITEM | DESCRIPTION | QTY | UNIT | PRICE-TZS | AMOUNT |
|-----------|--|-------|--------|-----------|--------|
| E. | DOOR | | | | |
| 1 | <u>40mm thick solid core flush door shutter</u> | | | | |
| | 1500 x 2100 mm high | 10 | PC'S | | |
| | 1200 x 2100 mm high | 9 | PC'S | | |
| | 1000 x 2100mm high | 37 | PC'S | | |
| | 900 x 2100mm high | 19 | PC'S | | |
| 2 | <u>Frames (hardwood),Varnish & Glass</u> | | | | |
| | 1500 x 2500 mm high | 10 | PC'S | | |
| | 1200 x 2500 mm high | 9 | PC'S | | |
| | 1000 x 2500mm high | 37 | PC'S | | |
| | 900 x 2500mm high | 3 | PC'S | | |
| | 900 x 2100mm high | 16 | PC'S | | |
| | 4mm thick clear glass to Vents | 27 | SQ.M | | |
| | Brush 3" | 20 | Pcs | | |
| | Sand paper (msasa) No.80 | 40 | LM | | |
| | Clear Varnish - 4Litres | 12 | TIN | | |
| | TINA for Varnish -4Litres | 8 | Litres | | |
| 3 | <u>Ironmongeries - Union</u> | | | | |
| | Mortice lock - Three lever | 75 | No | | |
| | Brass hinges - 100mm | 127.5 | Pairs | | |
| | Barrel bolt - 150mm | 39 | No | | |
| | Wood Screw | 8 | Box | | |
| | Kick- plate; 750 x 200mm | 40 | No | | |
| | Kick- plate; 1200 x 200mm | 18 | No | | |
| | Kick- plate; 1000 x 200mm | 74 | No | | |
| | Kick- plate; 900 x 200mm | 38 | No | | |
| | Hinges double swing -150mm | 30 | Pairs | | |
| | Pushing plate | 40 | No | | |
| | SUB-TOTAL FOR DOORS | | | | |

| ITEM | DESCRIPTION | QTY | UNIT | PRICE-TZS | AMOUNT |
|-----------|--|-----|----------------|------------|--------|
| F. | WINDOWS | | | | |
| 1 | <u>Supply and fix Aluminium Windows 2mm thick frame with 5mm thick glass, Mosquitor gauze ,ironmongeries and all necessary accessories</u> | | | | |
| | 2400 X 1500mm high | 10 | PC'S | | |
| | 2400 X 750mm high | 7 | PC'S | | |
| | 1600 X 1500mm high | 27 | PC'S | | |
| | 1200 X 750mm high | 28 | PC'S | | |
| | 1200 X 1500mm high | 5 | PC'S | | |
| | 1500 X 750mm high | 5 | PC'S | | |
| | 3000 X 1500mm high | 1 | PC'S | | |
| | 1000 X 750mm high | 16 | PC'S | | |
| | 1800 X 1500mm high | 4 | PC'S | | |
| | 1000 X 1500mm high | 1 | PC'S | | |
| | | | | | |
| 2 | <u>Supply and fix 32 x 32mm steel square pipe window grill painted red-oxide</u> | | | | |
| | 1600 X 1500mm high to Theatre room, Admission room and Pantry room | 4 | PC'S | | |
| | 1200 X 750mm high to Medicine store | 1 | PC'S | | |
| | SUB-TOTAL FOR WINDOWS | | | | |
| | | | | | |
| G. | FINISHING | | | | |
| 1 | Floor finishing - (ratio 1:4) | | | | |
| | Sand | 41 | M ³ | | |
| | Cement-50kgs | 261 | Bags | | |
| | 450 X 450 X 8mm thick - Non-slippery porcelain floor tiles -(1.42sqm/Box) | 615 | Box | | |
| | Epoxy - Grout (1kg/packet) | 115 | Bucket | | |
| | Spacer | 70 | Packet | | |
| | Skirting (600mm long; 25/Box) | 35 | Box | | |
| | Supply and fix Non slippery EPOXY floor finish sheet with its fittings and skirting as per theater requirements | 34 | M ² | | |
| | | | | | |
| 2 | Wall Finishing | | | | |
| | Sand | 74 | M ³ | | |
| | Cement-50kgs | 465 | Bags | | |
| | White cement - 50kg | 30 | Bags | | |
| | | | | | |
| | | | | B/F | |

SCHEDULE OF MATERIALS

MATERNITY WARD - (GROSS FLOOR AREA =1040 SQ.M)

| ITEM | DESCRIPTION | QTY | UNIT | PRICE-TZS | AMOUNT |
|-----------|--|-----|---------|-----------|--------|
| | | | | C/F | |
| | Gypsum powder | 135 | Bags | | |
| | Sand pepar No.120 (msasa) | 3 | Roll | | |
| | 200 X 300 x 9mm thick Wall tiles to toilets full height -0.96 sqm/Box) | 783 | Box | | |
| | Epoxy - Grout (1kg/packet) | 110 | Packet | | |
| | Spacer | 60 | Packet | | |
| | <u>WORK TOPS</u> | | | | |
| | 25mm thick granite to work tops | 12 | PC'S | | |
| | SUB-TOTAL FOR FINISHING | | | | |
| | | | | | |
| H. | PAINTING & DECORATION | | | | |
| | Emulsion Paint - 20 LTRS | 45 | buckets | | |
| | Weather guard Paint - 20 LTRS | 9 | buckets | | |
| | Washable paint -20 LTRS | 10 | buckets | | |
| | Primer paint -20 LTRS | 7 | buckets | | |
| | Solvent - 5LTRS | 6 | TIN | | |
| | Brush 3" | 9 | Pcs | | |
| | Roller | 18 | Pcs | | |
| | Gloss paint-4LTR | 6 | TIN | | |
| | Bitumen paint - 4Litres | 12 | TIN | | |
| | SUB-TOTAL FOR PAINTING&DECORATION | | | | |

Note: Washable paint to theatre room should be light blue green

SCHEDULE OF MATERIALS

MATERNITY WARD - (GROSS FLOOR AREA =1040 SQ.M)

| ITEM | DESCRIPTION | QTY | UNIT | PRICE-TZS | AMOUNT |
|-----------|---|-----|--------|-----------|------------|
| J. | ELECRICAL INSTALLATION & AIR CONDITIONING | | | | |
| 1 | Single fluorescent fitting, approved philips or equal | 74 | No | | |
| 2 | Double fluorescent fitting, approved Philips or equal | 24 | No | | |
| 3 | Double switch socket | 60 | No | | |
| 4 | Main switch 8way,3PH with integral RCD | 2 | No | | |
| 5 | Single core wire 1.5sqmm - Red | 800 | m | | |
| 6 | Single core wire 1.5sqmm - Black | 800 | m | | |
| 7 | Single core wire 1.5sqmm -green | 600 | m | | |
| 8 | Single core wire 2.5sqmm approved uro or equal red | 700 | m | | |
| 9 | Single core wire 2.5sqmm approved uro or equal black | 700 | m | | |
| 10 | Single core wire 2.5sqmm approved uro or equal green | 700 | m | | |
| 11 | Ceiling fan, approved National or equal | 24 | PC's | | |
| 12 | 4 core cable 16mmsq | 60 | M | | |
| 13 | 4gang one way switch | 6 | No | | |
| 14 | 2gang two way switch | 41 | No | | |
| 15 | 20A DP switch | 5 | No | | |
| 16 | Lan socket | 2 | No | | |
| 17 | Gypsum light complete with energy saver 18w | 32 | No | | |
| 18 | Earth rod approved copper not less than 1200mm | 4 | No | | |
| 19 | Earth wire 4sqmm | 80 | M | | |
| 20 | Metal box double | 60 | No | | |
| 21 | Metal box single | 58 | No | | |
| 22 | Junction box | 120 | No | | |
| 23 | Conduit pipe | 320 | PC's | | |
| 24 | Elbow | 110 | PC's | | |
| 25 | Conduit coupling | 100 | PC's | | |
| 26 | Round cover | 200 | PC's | | |
| 27 | Round box | 80 | PC's | | |
| 28 | fine screw | 5 | PACKET | | |
| | | | | | C/F |

SCHEDULE OF MATERIALS

MATERNITY WARD - (GROSS FLOOR AREA =1040 SQ.M)

| ITEM | DESCRIPTION | QTY | UNIT | PRICE-TZS | AMOUNT |
|------|---|-----|------|------------|--------|
| | | | | B/F | |
| 29 | Plastic clips 22mm | 10 | Box | | |
| 30 | Telephone socket outlet | 2 | PCS | | |
| | | | | | |
| | Air - Condition | | | | |
| 31 | Supply and fix LG or equal and approved A.C with all necessary accessories -BTU 18000 to Theatre and Delivery rooms | 5 | No | | |
| | SUB-TOTAL ELECTRICAL INSTALLATION & AC | | | | |

SCHEDULE OF MATERIALS

MATERNITY WARD - (GROSS FLOOR AREA =1040 SQ.M)

| ITEM | DESCRIPTION | QTY | UNIT | PRICE-TZS | AMOUNT |
|-----------|--|-----|------|------------|--------|
| K. | PLUMBING & SANITARY INSTALLATION (PROVISIONAL) | | | | |
| 1 | Tee connector 3/4" | 19 | PC'S | | |
| 2 | Connector 3/4" | 4 | PC'S | | |
| 3 | IPS Elbow 1/2" | 32 | PC'S | | |
| 4 | IPS socket 1/2" | 10 | PC'S | | |
| 5 | IPS tee 1/2" | 57 | PC'S | | |
| 7 | IPS nipple 1/2" | 20 | PC'S | | |
| 8 | IPS nipple 3/4" | 12 | PC'S | | |
| 9 | IPS reducing bush 3/4" - 1/2" | 20 | PC'S | | |
| 10 | IPS union 3/4" | 20 | PC'S | | |
| 11 | Angle valve 1/2" | 33 | PC'S | | |
| 12 | Bib tape pex 1/2" | 16 | PC'S | | |
| 13 | Stop cock pex '1/2" | 19 | PC'S | | |
| 14 | Stop cock pex '3/4" | 20 | PC'S | | |
| 15 | Thread seal tape | 40 | PC'S | | |
| 16 | PVC pipe 1 1/2" | 5 | PC'S | | |
| 17 | PVC pipe 1 1/4" | 5 | PC'S | | |
| 18 | PVC pipe 4' CLASS C" | 3 | PC'S | | |
| 19 | PVC bend 4" | 8 | PC'S | | |
| 20 | PVC bend 1 1/2" | 4 | PC'S | | |
| 21 | PVC tee 1 1/4" | 21 | PC'S | | |
| 22 | PVC tee 1 1/2" | 18 | PC'S | | |
| 23 | PVC tee 4" | 4 | PC'S | | |
| 24 | PVC bend 1 1/2" | 39 | PC'S | | |
| 25 | PVC bend 1 1/4" | 33 | PC'S | | |
| 26 | PVC bend with cleaning eye 4" | 10 | PC'S | | |
| 27 | PVC plug 1 1/4" | 13 | PC'S | | |
| 28 | PVC plug 1 1/2" | 18 | PC'S | | |
| 29 | Non-trap 1 1/2" | 15 | PC'S | | |
| 30 | Tangit | 5 | TIN | | |
| 31 | PVC socket with Female threads 1 1/4" | 24 | PC'S | | |
| 32 | PVC socket with Female threads 1 1/2" | 7 | PC'S | | |
| 34 | Flexible pipe 1/2" | 20 | PC'S | | |
| 35 | WC squatting Complete with P trap -Asian type | 17 | PC'S | | |
| | | | | C/F | |

SCHEDULE OF MATERIALS

MATERNITY WARD - (GROSS FLOOR AREA =1040 SQ.M)

| ITEM | DESCRIPTION | QTY | UNIT | PRICE-TZS | AMOUNT |
|------|---|-----|------|------------|--------|
| | | | | B/F | |
| 36 | WC High level complete with all necessary fittings | 2 | PC'S | | |
| 37 | Sluice sink complete with pilar tape and all necessary accessories as per approved | 2 | PC'S | | |
| 38 | Scrub sink complete with pilar tape and all necessary accessories as per approved | 1 | PC'S | | |
| 39 | Elbow 1/2" IPS | 64 | PC'S | | |
| 40 | Shower rose complet with stand and mixer (chrome) | 12 | PC'S | | |
| 41 | Toilet aper holder | 19 | PC'S | | |
| 42 | Toilet shower (shataf) | 15 | PC'S | | |
| 43 | Hands wash basin complete with 6" Levers operating for elbow control and its accessories | 25 | PC'S | | |
| 44 | Mirror | 25 | PC'S | | |
| 45 | Stainless kitchen sink double bowl and drain complete with all necessary fittings and accessories as per approved | 8 | PC'S | | |
| | SUB-TOTAL FOR PLUMBING AND SANITARY INSTALLATION | | | | |

| <u>GENERAL SUMMARY</u> | | AMOUNT |
|----------------------------------|--|---------------|
| | | TZS |
| <u>MATERNITY BUILDING</u> | | |
| A. | SUBSTRUCTURE - PROVISIONAL | |
| B. | SUPERSTRUCTURE | |
| C. | ROOF STRUCTURE & COVERING | |
| D. | CEILING | |
| E. | DOOR | |
| F. | WINDOWS | |
| G. | FINISHING | |
| H. | PAINTING & DECORATION | |
| J. | ELECTRICAL INSTALLATION & AIR CONDITIONING | |
| K. | PLUMBING & SANITARY INSTALLATION (PROVISIONAL) | |
| TOTAL MATERIALS COST | | TZS |

Schedule of Labour

| Na. | AINA YA KAZI | BEI YA UFUNDI - Shs |
|-----------|--|---------------------|
| A | <u>Msingi wa Jengo (Sub-structure)</u> | |
| 1 | Kusafisha eneo | |
| 2 | Kuseti jengo | |
| 3 | Uchimbaji wa msingi | |
| 4 | Kufukia | |
| | <u>Kufunga mbao</u> | |
| 5 | Pembezoni mwa jamvi | |
| 6 | Pembezoni mwa nguzo | |
| 7 | Kuondoa mbao | |
| | <u>Kumwaga zege</u> | |
| 8 | Chini kwenye msingi wa tofali | |
| 9 | Chini kwenye msingi wa nguzo | |
| 10 | katika nguzo ya awali | |
| 11 | kwenye jamvi | |
| 12 | Ujenzi wa tofali (6062 pc's) | |
| | <u>Mawe</u> | |
| 13 | Upangaji wa mawe na utandazaji wa DPM | |
| 14 | Umwagiliaji wa maji | |
| | Jumla ndogo msingi wa jengo | |
| | | |
| B. | <u>Kunyanyua jengo (Super-structure)</u> | |
| 1 | Ujenzi wa tofali za kuta na uwekaji DPC (14,733PC'S) | |
| | <u>Kufunga mbao katika:</u> | |
| 2 | Nguzo mlalo | |
| 3 | Nguzo wima | |
| | <u>Kusuka nondo katika:</u> | |
| 4 | Nguzo mlalo | |
| 5 | Nguzo wima | |
| | <u>Kumwaga zege katika:</u> | |
| 6 | Nguzo mlalo | |
| 7 | Nguzo wima | |
| 8 | Umwagiliaji wa maji | |
| | | |
| C. | <u>Kuezeka (Roof structure and covering)</u> | |
| | Kuezeka na ufungaji wa gata | |
| | Jumla ndogo kunyanyua jengo | |

| Na. | AINA YA KAZI | BEI YA UFUNDI - Shs |
|-----------|---|---------------------|
| D. | <u>Milango</u> | |
| 1 | Kufitisha fremu za milango | |
| 2 | Kufitisha shata za milango pamoja na vitasa | |
| 3 | Upakaji wa Varnishi katika milango na fremu | |
| | | |
| E. | <u>Umaliziji (Finishing)</u> | |
| | <i>Upigaji wa lipu pamoja na kutengeneza koplo:</i> | |
| 1 | Nje ya jengo | |
| 2 | Ndani ya jengo | |
| | | |
| | <u>Sakafu</u> | |
| 3 | Uwekaji wa sakafu ya kupokea vigae (beds) | |
| 4 | Uwekaji wa vigae pamoja na grauti katika sakafu (floor tiles) - | |
| | | |
| | <u>Dali:</u> | |
| 6 | Ufungaji wa mbao za dali (Branding) | |
| 7 | Uwekaji wa dali na mikanda ya gypsum | |
| 8 | Uwekaji wa dali ya pvc kuzunguka nyumba kwa nje | |
| | | |
| 9 | Uwekaji wa vigae katika kuta na upakaji grout | |
| | Jumla ndogo umaliziji(finishing) | |
| | | |
| F. | <u>Rangi na Mapambo (Painting & Decoration)</u> | |
| | | |
| | <u>Kupaka rangi mikono mitatu pamoja na skimming katika:</u> | |
| 1 | Kuta za nje | |
| 2 | Kuta za ndani | |
| 3 | Dali | |
| | | |
| | <u>Kupaka rangi mikono mitatu katika:</u> | |
| 5 | Msingi wa nyumba | |
| 6 | Grill za milango na madirisha | |
| | | |
| | Jumla ndogo Rangi na mapambo | |
| | | |
| G. | <u>Umeme (Electrical installation)</u> | |
| 1 | Usukaji wa umeme awamu ya kwanza - Conduit na Box | |
| 2 | Usukaji wa umeme awamu ya pili (2nd fix)-fittings | |
| | Jumla ndogo Umeme | |

| Na. | AINA YA KAZI | BEI YA UFUNDI - Shs |
|-----|---|---------------------|
| H. | Mifumo ya maji safi na taka (Water Supply and Sewage system) | |
| | | |
| 1 | Ufungaji bomba awamu ya kwanza (Kuchimbia bomba) | |
| 2 | Ufungaji bomba awamu ya pili (2nd fix) -fittings | |
| 3 | Ufungaji wa Mifumo ya maji ya mvua kwenda kwenye tanki | |
| | Jumla ndogo Mifumo ya maji safi na taka | |

| MAJUMUISHO (SUMMARY) | | |
|-----------------------------|--|------------|
| | | Shs |
| A. | Msingi wa Jengo (Sub-structure) | |
| | | |
| B. | Kunyanyua jengo (Super-structure) | |
| | | |
| C. | Kuezekka (Roof structure and covering) | |
| | | |
| D. | Milango | |
| | | |
| E. | Umaliziaji (Finishing) | |
| | | |
| F. | Rangi na Mapambo (Painting & Decoration) | |
| | | |
| G. | Umeme (Electrical installation) | |
| | | |
| H. | Mifumo ya maji safi na taka (Water Supply and Sewage system) | |
| | | |
| | JUMLA KUU Shs. | |

ANGALIZO:

Fundi anatakiwa kujaza hii fomu kwa kupitia mchoro wa jengo husika

Drawings

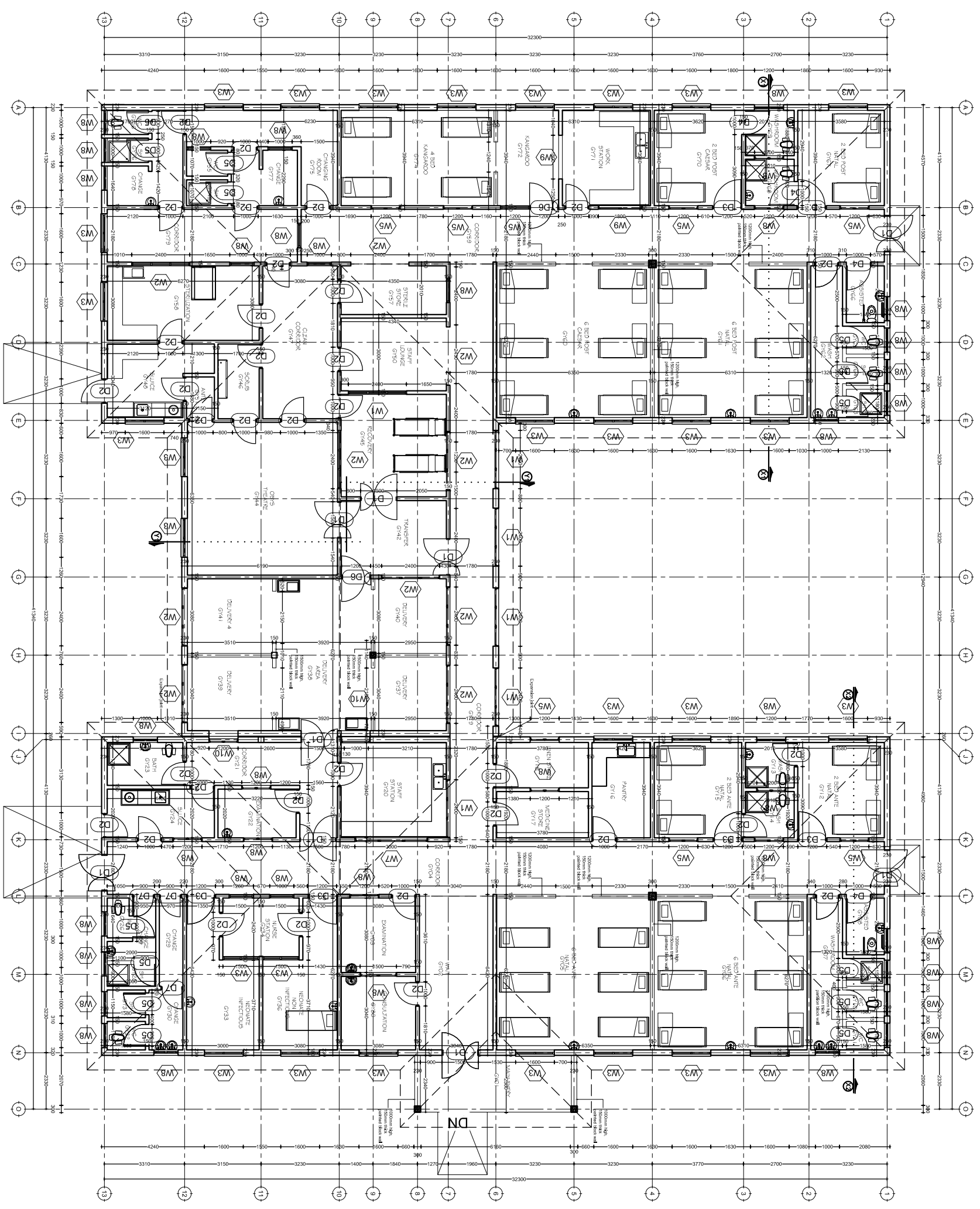
| Door Quantities | | | | |
|-----------------|-------|--------|-------------|-------|
| Door Type | Width | Height | Head Height | Count |
| D1 | 1500 | 2500 | 2500 | 9 |
| D2 | 1000 | 2500 | 2500 | 35 |
| D3 | 1200 | 2500 | 2500 | 6 |
| D4 | 1000 | 2500 | 2500 | 4 |
| D5 | 900 | 2100 | 2100 | 14 |
| D6 | 1200 | 2500 | 2500 | 2 |
| D7 | 900 | 2500 | 2500 | 3 |

| | | | | |
|----|------|------|------|----|
| D1 | 1500 | 2500 | 2500 | 9 |
| D2 | 1000 | 2500 | 2500 | 35 |
| D3 | 1200 | 2500 | 2500 | 6 |
| D4 | 1000 | 2500 | 2500 | 4 |
| D5 | 900 | 2100 | 2100 | 14 |
| D6 | 1200 | 2500 | 2500 | 2 |
| D7 | 900 | 2500 | 2500 | 3 |

| Window Quantities | | | | | |
|-------------------|-------|--------|-------------|-------------|-------|
| Window Type | Width | Height | Sill Height | Head Height | Count |
| W1 | 2400 | 1500 | 1000 | 2500 | 6 |
| W2 | 2400 | 750 | 1750 | 2500 | 10 |
| W3 | 1600 | 1500 | 1000 | 2500 | 29 |
| W5 | 1200 | 1500 | 1000 | 2500 | 8 |
| W7 | 3000 | 1500 | 1000 | 2500 | 1 |
| W8 | 1000 | 750 | 1750 | 2500 | 39 |
| W9 | 1800 | 1500 | 1000 | 2500 | 2 |
| W10 | 1000 | 1500 | 1000 | 2500 | 2 |

| | | | | | |
|-------------|------|------|------|------|----|
| W1 | 2400 | 1500 | 1000 | 2500 | 6 |
| W2 | 2400 | 750 | 1750 | 2500 | 10 |
| W3 | 1600 | 1500 | 1000 | 2500 | 29 |
| W5 | 1200 | 1500 | 1000 | 2500 | 8 |
| W7 | 3000 | 1500 | 1000 | 2500 | 1 |
| W8 | 1000 | 750 | 1750 | 2500 | 39 |
| W9 | 1800 | 1500 | 1000 | 2500 | 2 |
| W10 | 1000 | 1500 | 1000 | 2500 | 2 |
| Grand total | | | | | 2 |

GROUND PLAN
 SCALE: 1:100
 TOTAL AREA = 1041sqm



Building Section
 Planning and Policy Department
 Ministry of Health, Community Development,
 Gender, Elderly and Children.
 University of Dodoma
 College of Humanities and Social Science | 11th
 Building, P.O. Box 743,
 40478 Dodoma

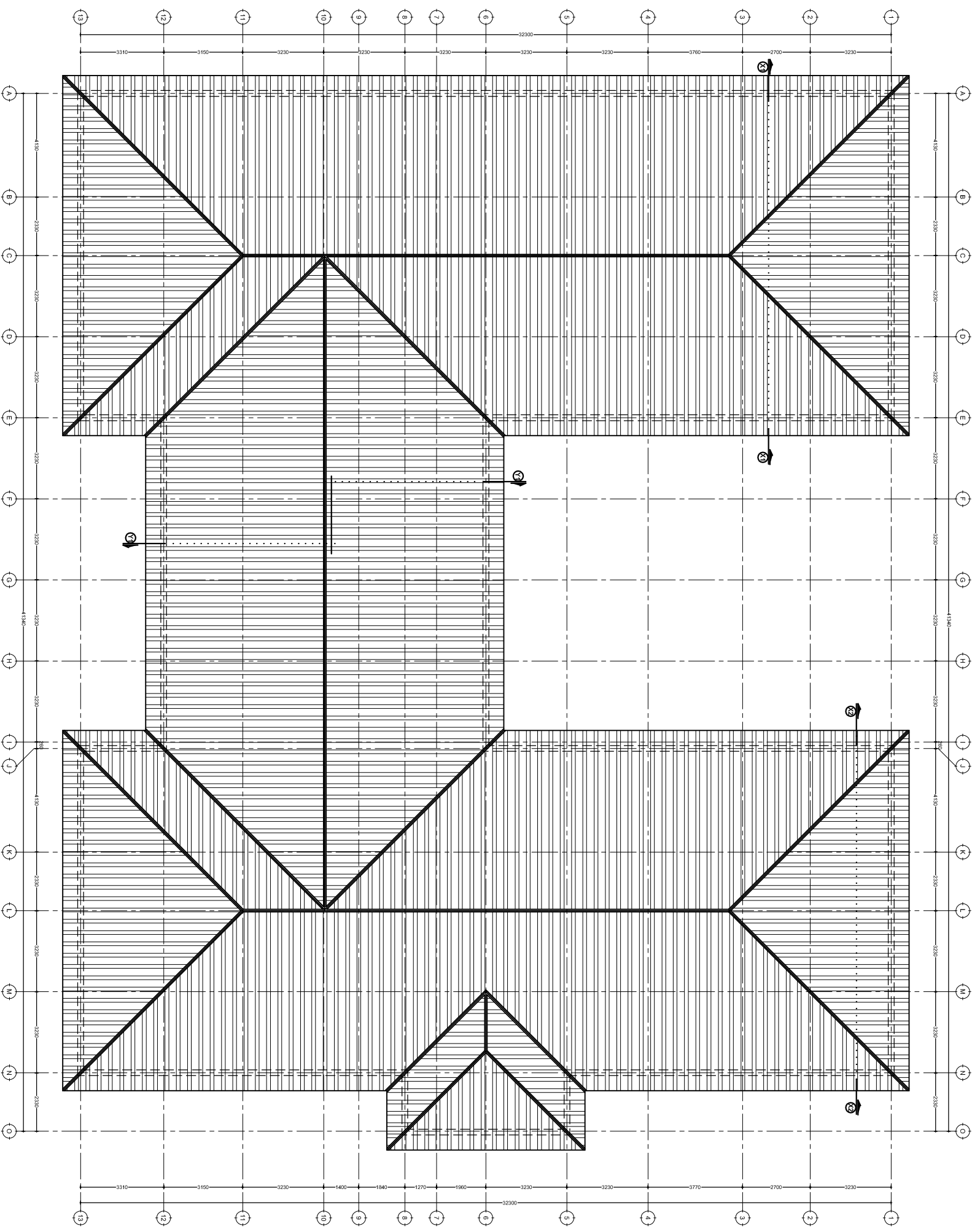
In Collaboration with
 President's Office, Regional Administration
 and Local Governments.

Mkapa Building,
 P.O. Box 1923,
 41185 Dodoma

Client
**PRESIDENTS OFFICE, REGIONAL ADMINISTRATION AND LOCAL GOVERNMENTS,
 MKAPA BUILDING, P.O. BOX 1923, 41185 DODOMA**

Project
STANDARD DESIGN FOR COUNCIL LEVEL HOSPITALS IN TANZANIA

| | |
|--|------------------|
| Drawing title | |
| MATERNITY BLOCK Ground Floor Plan | |
| Project number | MAT A/101 |
| Drawn by | JGR |
| Checked by | DCNM |
| Date | 24 APRIL 2018 |
| Scale | 1:100 |



ROOF PLAN

SCALE: 1:100

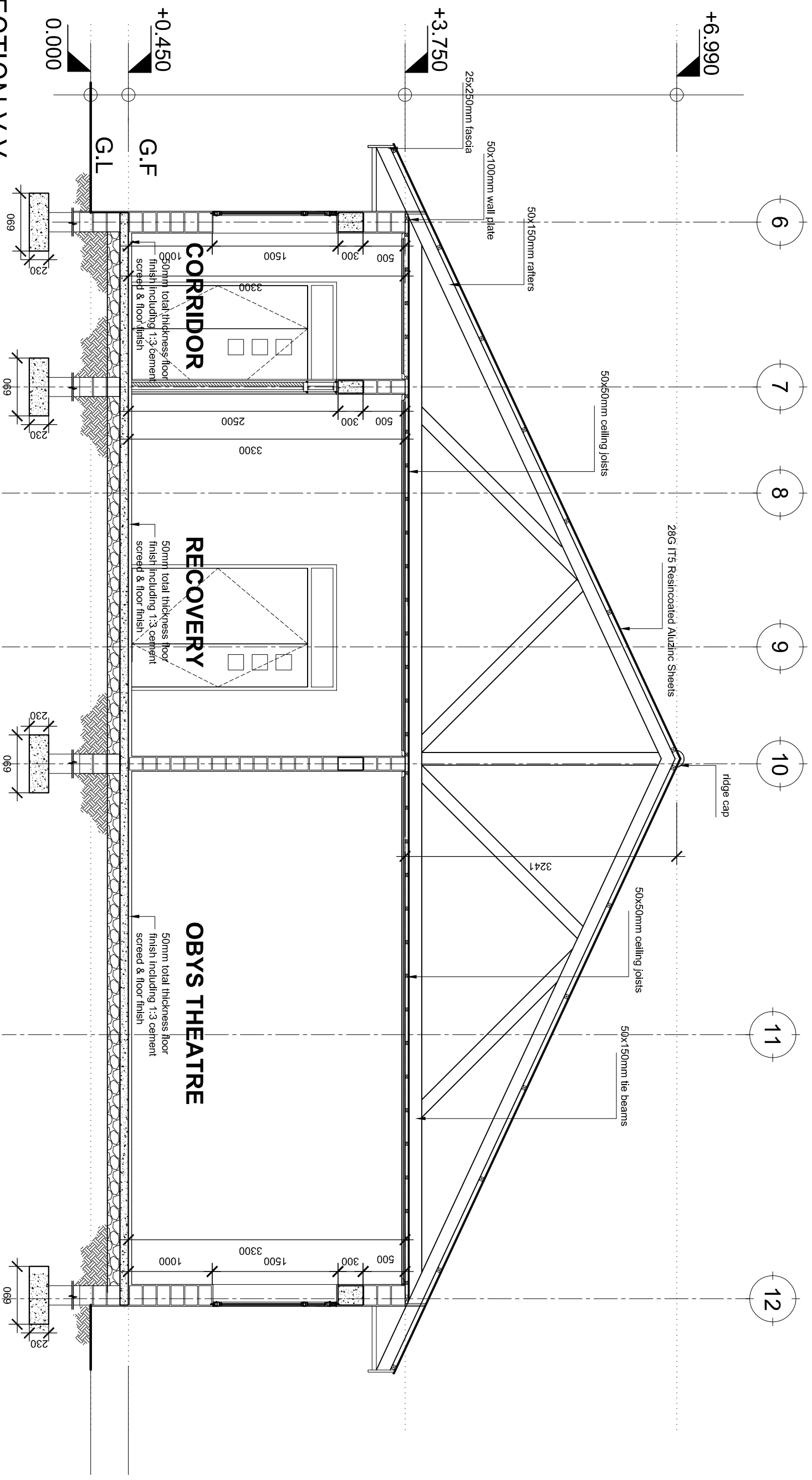
Building Section
 Planning and Policy Department
 Ministry of Health, Community Development,
 Gender Elderly and Children,
 University of Dodoma
 College of Humanities and Social Science | 11th
 Building, P.O. Box 743,
 40478 Dodoma

In Collaboration with
 President's Office, Regional Administration
 and Local Governments,
 Mkapa Building,
 P.O. Box 1923,
 41185 Dodoma

Client
**PRESIDENT'S OFFICE, REGIONAL ADMINISTRATION AND LOCAL GOVERNMENTS,
 MKAPA BUILDING, P.O. BOX 1923, 41185 DODOMA**

Project
STANDARD DESIGN FOR COUNCIL LEVEL HOSPITALS IN TANZANIA

| | |
|------------------------|------------------|
| Drawing title | |
| MATERNITY BLOCK | |
| Roof Plan | |
| Project number | MAT A/102 |
| Drawn by | JCR |
| Checked by | DCNM |
| 24 APRIL 2018 | Scale 1:100 |



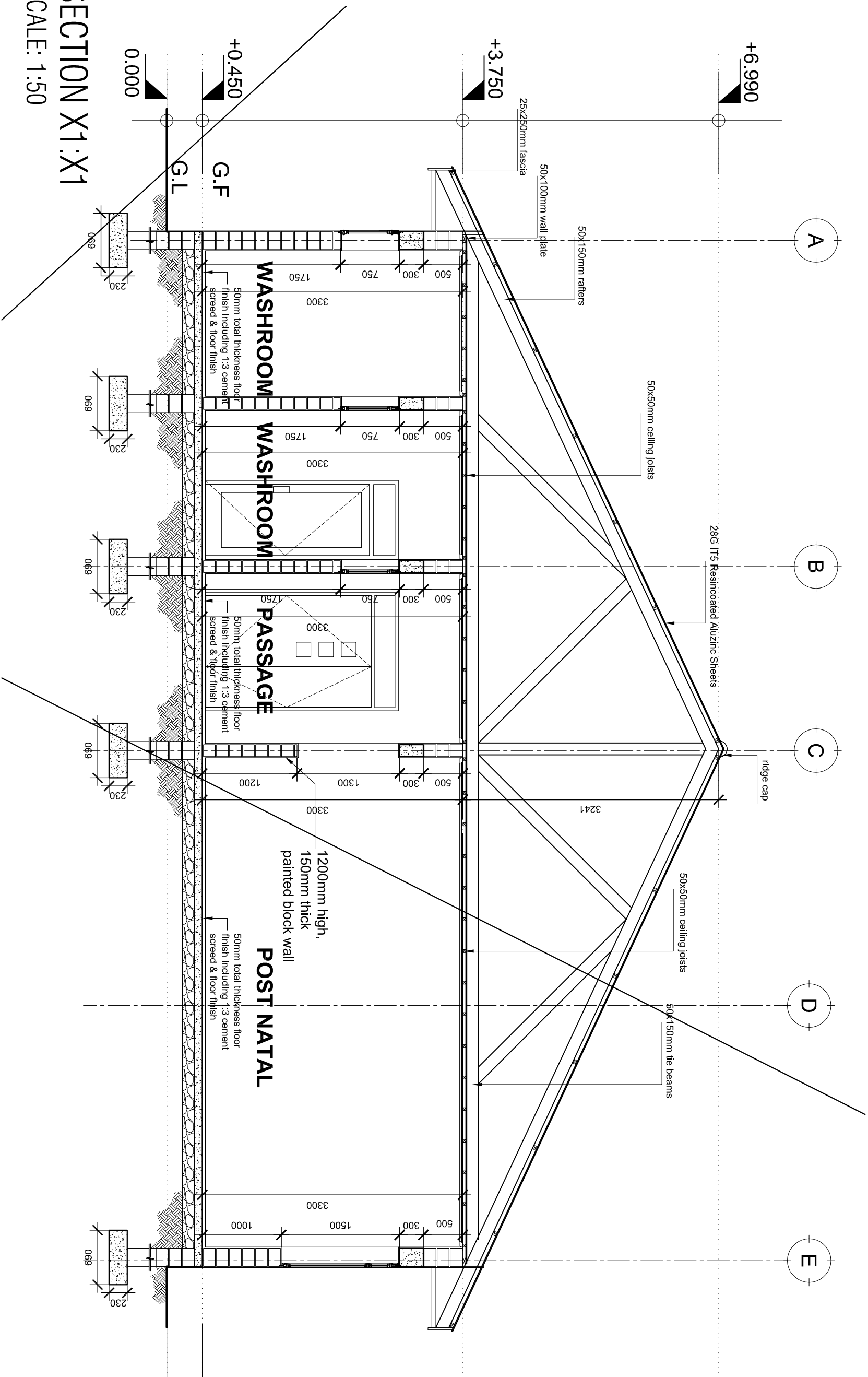
SECTION Y:Y
SCALE: 1:50

Building Section
 Planning and Policy Department
 Ministry of Health, Community Development,
 Gender Elderly and Children.
 University of Dodoma
 College of Humanities and Social Science 11th
 Building, P.O. Box 743,
 40478 Dodoma

In Collaboration with
 President's Office, Regional Administration
 and Local Governments.
 Mkapa Building,
 P.O. Box 1923,
 41185 Dodoma

Client
PRESIDENT'S OFFICE, REGIONAL ADMINISTRATION AND LOCAL GOVERNMENTS,
MKAPA BUILDING, P.O. BOX 1923, 41185 DODOMA
 Project
STANDARD DESIGN FOR COUNCIL LEVEL HOSPITALS IN TANZANIA

| | |
|------------------------|------------------|
| Drawing title | |
| MATERNITY BLOCK | |
| Section Y:Y | |
| Project number | MAT A/103 |
| 24 APRIL 2018 | |
| Drawn by | JCR |
| Checked by | DCNM |
| Scale | 1:100 |



SECTION X1:X1
SCALE: 1:50

Building Section
 Planning and Policy Department
 Ministry of Health, Community Development,
 Gender Elderly and Children.
 University of Dodoma
 College of Humanities and Social Science 11th
 Building, P.O. Box 743,
 40478 Dodoma

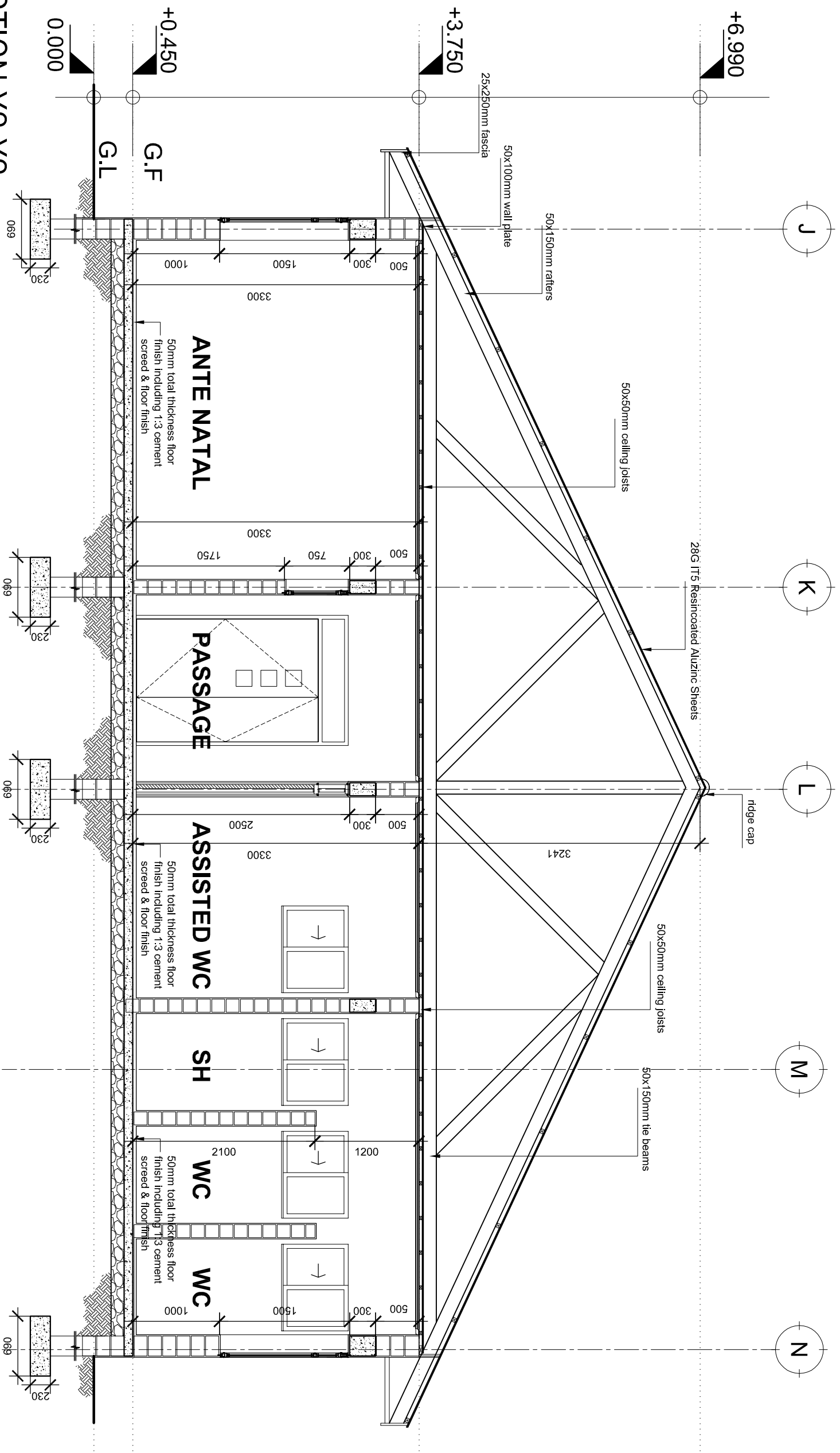
In Collaboration with
 President's Office, Regional Administration
 and Local Governments.
 Mkapa Building,
 P.O. Box 1923,
 41185 Dodoma

Client
 PRESIDENT'S OFFICE, REGIONAL ADMINISTRATION AND LOCAL GOVERNMENTS,
 MKAPA BUILDING, P.O. BOX 1923, 41185 DODOMA

Project
 STANDARD DESIGN FOR COUNCIL LEVEL HOSPITALS IN TANZANIA

Drawing title
MATERNITY BLOCK
 Section X1:X1

| | | |
|----------------|---------------|------------------|
| Project number | 24 APRIL 2018 | MAT A/104 |
| Drawn by | JCR | |
| Checked by | DCNM | |
| Scale | | 1:100 |



SECTION X2:X2
SCALE: 1:50

Building Section
Planning and Policy Department
Ministry of Health, Community Development,
Gender Elderly and Children.
University of Dodoma
College of Humanities and Social Science 11th
Building, P.O. Box 743,
40478 Dodoma

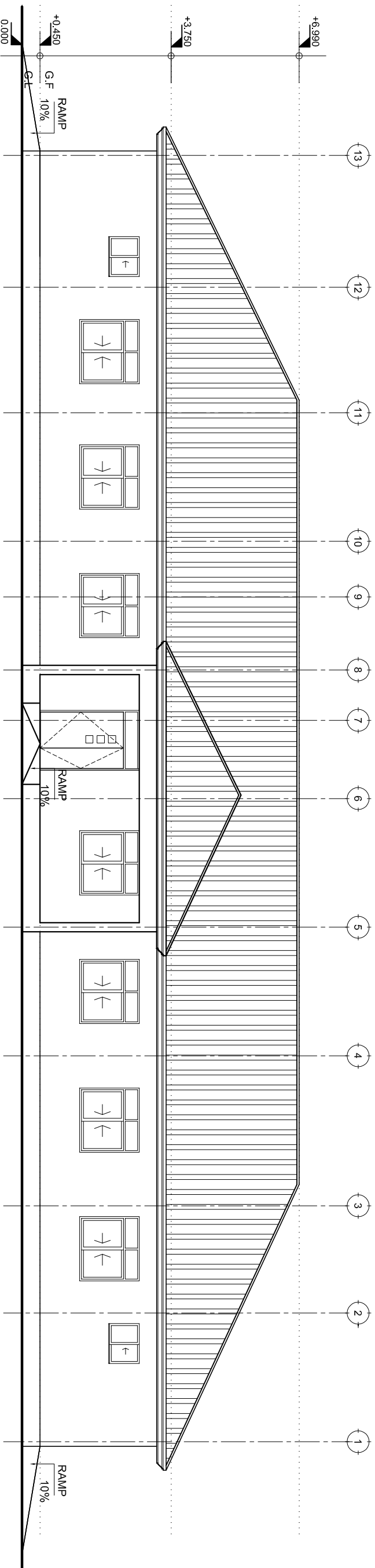
In Collaboration with
President's Office, Regional Administration
and Local Governments.
Mkapa Building,
P.O. Box 1923,
41185 Dodoma

Client
PRESIDENT'S OFFICE, REGIONAL ADMINISTRATION AND LOCAL GOVERNMENTS,
MKAPA BUILDING, P.O. BOX 1923, 41185 DODOMA

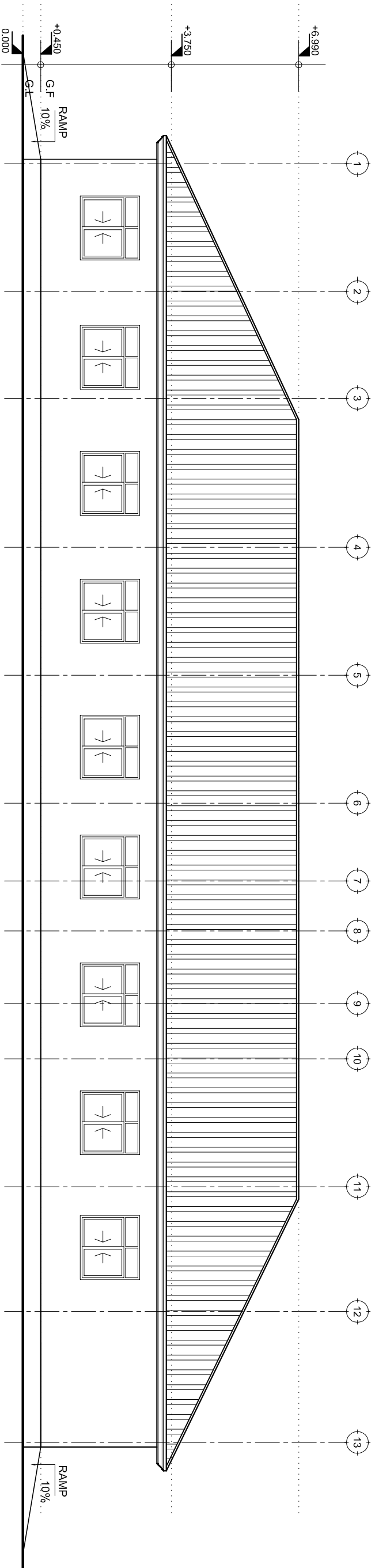
Project
STANDARD DESIGN FOR COUNCIL LEVEL HOSPITALS IN TANZANIA

Drawing title
MATERNITY BLOCK
Section X2:X2

| | | |
|----------------|---------------|------------------|
| Project number | 24 APRIL 2018 | MAT A/105 |
| Drawn by | JCR | |
| Checked by | DCNM | |
| Scale | | 1:100 |



FRONT ELEVATION



REAR ELEVATION

ELEVATIONS

SCALE: 1:100

Building Section
 Planning and Policy Department
 Ministry of Health, Community Development,
 Gender Elderly and Children.
 University of Dodoma
 College of Humanities and Social Science 11th
 Building, P.O. Box 743,
 40478 Dodoma

In Collaboration with
 President's Office, Regional Administration
 and Local Governments.
 Mkapa Building,
 P.O. Box 1923,
 41185 Dodoma

Client
 PRESIDENT'S OFFICE, REGIONAL ADMINISTRATION AND LOCAL GOVERNMENT,
 MKAPA BUILDING, P.O. BOX 1923, 41185 DODOMA

Project
 STANDARD DESIGN FOR COUNCIL LEVEL HOSPITALS IN TANZANIA

Drawing title
MATERNITY BLOCK
Elevations

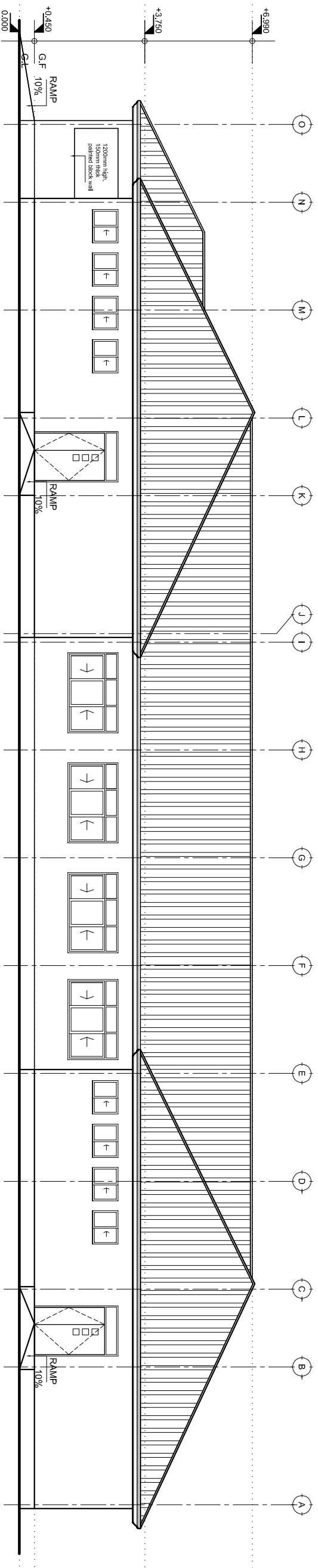
Project number
 24 APRIL 2018

Drawn by
 JCR

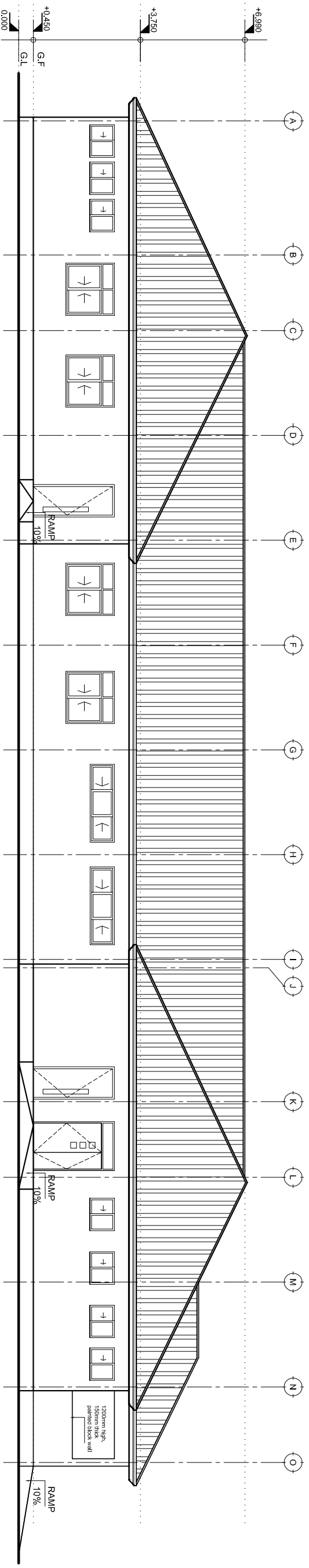
Checked by
 DCNM

MAT A/106

Scale 1:100



RIGHT SIDE ELEVATION



LEFT SIDE ELEVATION

ELEVATIONS

SCALE: 1:100

Building Section
 Planning and Policy Department
 Ministry of Health, Community Development,
 Gender Elderly and Children.
 University of Dodoma
 College of Humanities and Social Science 11th
 Building, P.O. Box 743,
 40478 Dodoma

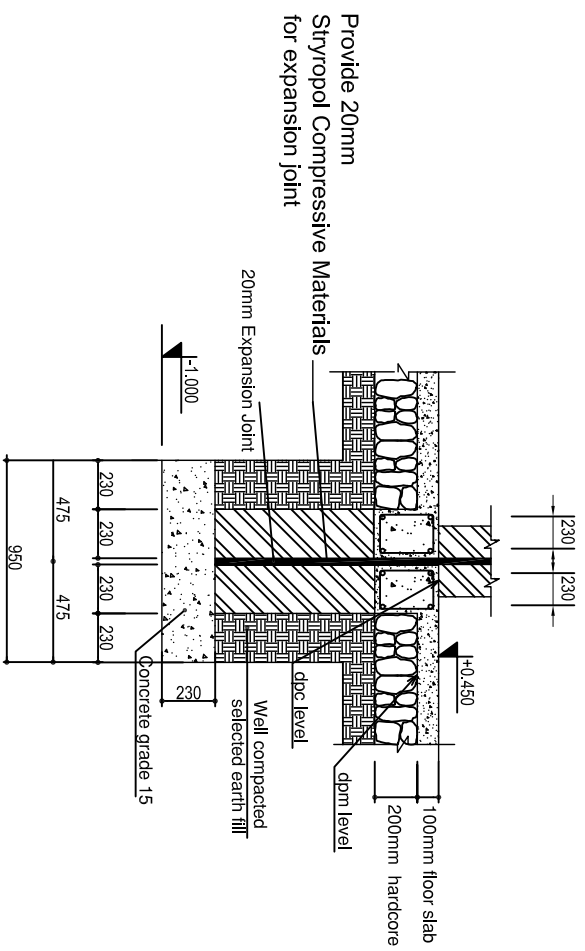
In Collaboration with
 President's Office, Regional Administration
 and Local Governments.
 Mkapa Building,
 P.O. Box 1923,
 41185 Dodoma

Client
 PRESIDENT'S OFFICE, REGIONAL ADMINISTRATION AND LOCAL GOVERNMENT,
 MKAPA BUILDING, P.O. BOX 1923, 41185 DODOMA

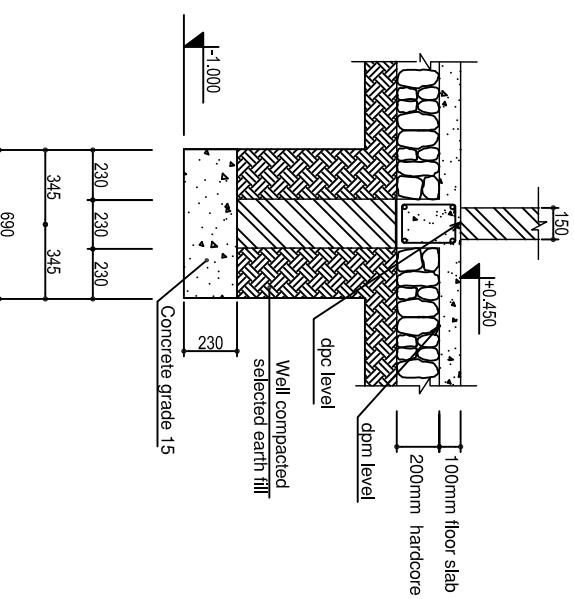
Project
 STANDARD DESIGN FOR COUNCIL LEVEL HOSPITALS IN TANZANIA

Drawing title
MATERNITY BLOCK
Elevations

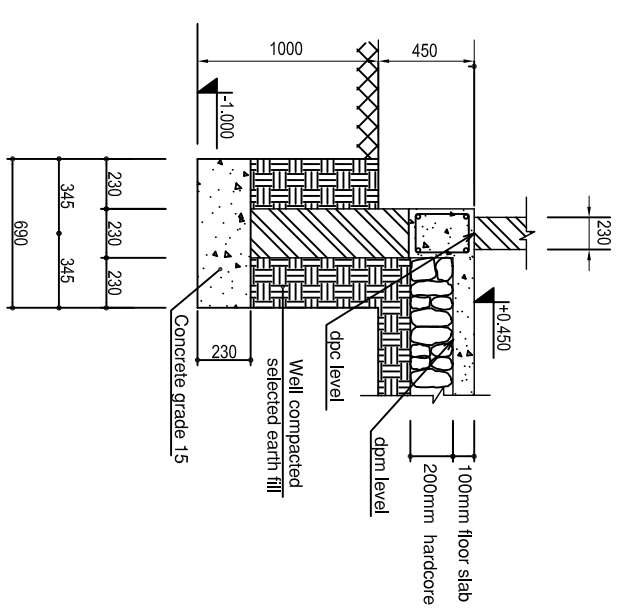
| | | |
|----------------|---------------|------------------|
| Project number | 24 APRIL 2018 | MAT A/107 |
| Drawn by | JCR | |
| Checked by | DCNM | |
| Scale | | 1:100 |



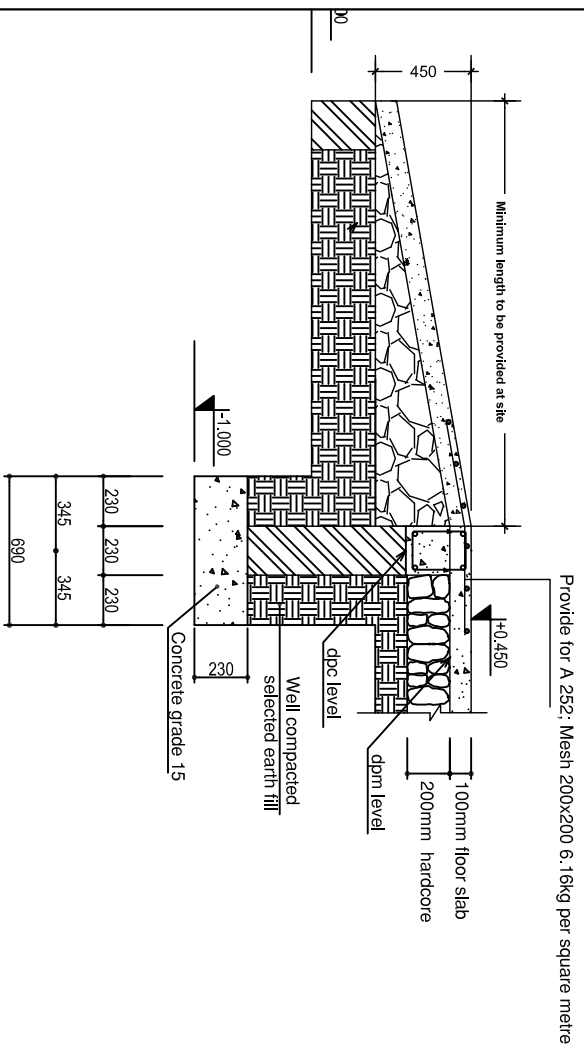
Section D - D



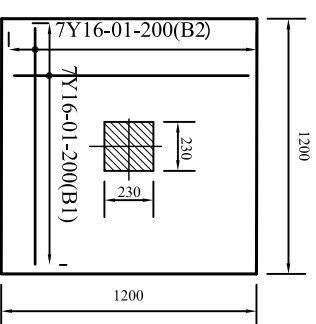
Section B - B



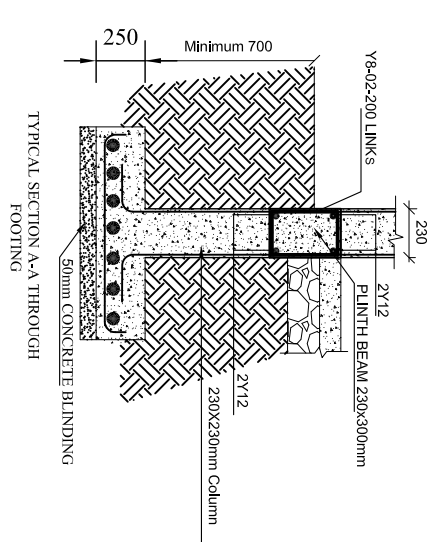
Section C - C



Section E - E: Ramp Details



TYPICAL SECTION A-A THROUGH FOOTING



TYPICAL SECTION A-A THROUGH FOOTING

NOTE:

1. All dimensions are in mm unless otherwise specified
2. All discrepancies shall be referred to the structural engineer
3. Reinforced concrete shall be of grade 20 with $f_{cu}=25N/mm^2$ at 28 days of age
4. Main reinforcements shall be high tensile steel with $f_y = 460N/mm^2$
5. Nominal cover to the reinforcements:
 - a) Foundation 50mm
 - b) Column 25mm
 - c) Beam 25mm
 - d) Slab 25mm

PROJECT:

PROPOSED STANDARD DRAWINGS FOR COUNCIL HOSPITALS IN TANZANIA

CLIENT:

PRESIDENT'S OFFICE REGIONAL ADMINISTRATION LOCAL GOVERNMENT

MINISTRY OF HEALTH, COMMUNITY DEVELOPMENT, GENDER AND CHILDREN

DRAWING TITLE: MATERNITY WARD FOUNDATION DETAILS

Designed by: Eng. R.A.M

Drawn by: ENG. A.NGATOMELA

Checked by: Eng. R.A.M

Approved by:

Date: 2018 Scale:

Drawing No. MTR/STR.102 Sheet:

FOUNDATION DETAILS

NOTE:

1. All dimensions are in mm unless otherwise specified
2. All discrepancies shall be referred to the structural engineer
3. Reinforced concrete shall be of grade 20 with $f_{cu}=25N/mm^2$ at 28 days of age
4. Main reinforcements shall be high tensile steel with $f_y = 460N/mm^2$
5. Nominal cover to the reinforcements:
 - a) Foundation 50mm
 - b) Column 25mm
 - c) Beam 25mm
 - d) Slab 25mm

PROJECT:

**PROPOSED STANDARD
DRAWINGS FOR COUNCIL
HOSPITALS IN TANZANIA**

CLIENT:

**PRESIDENT'S OFFICE
REGIONAL ADMINISTRATION
LOCAL GOVERNMENT**

**MINISTRY OF HEALTH,
COMMUNITY DEVELOPMENT,
GENDER AND CHILDREN**

DRAWING TITLE:

**MATERNITY WARD
PLINTH BEAM DETAILS**

Designed by: Eng. R.A.M

Drawn by: ENG. A.NGATOMELA

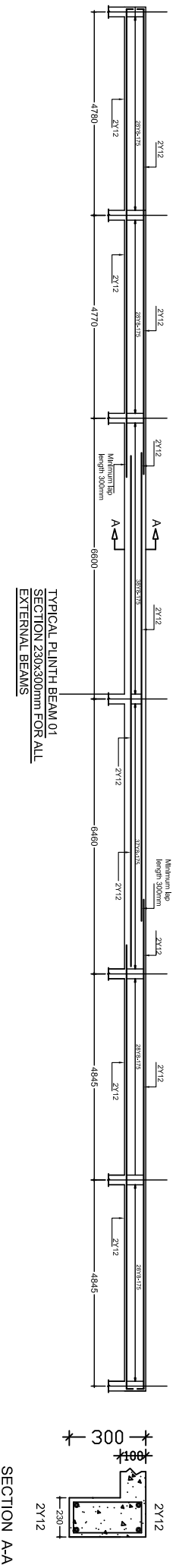
Checked by: Eng. R.A.M

Approved by:

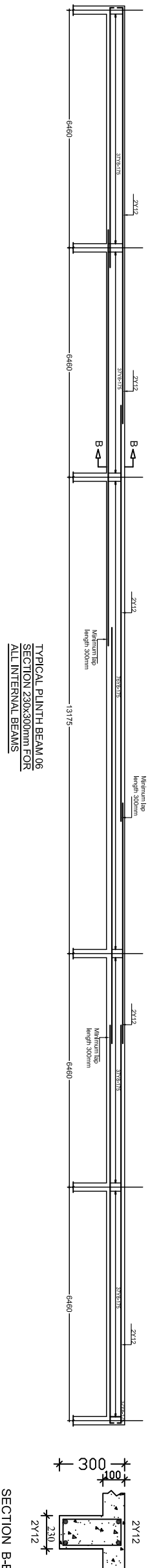
Date: **2018** Scale:

Drawing No. Sheet:

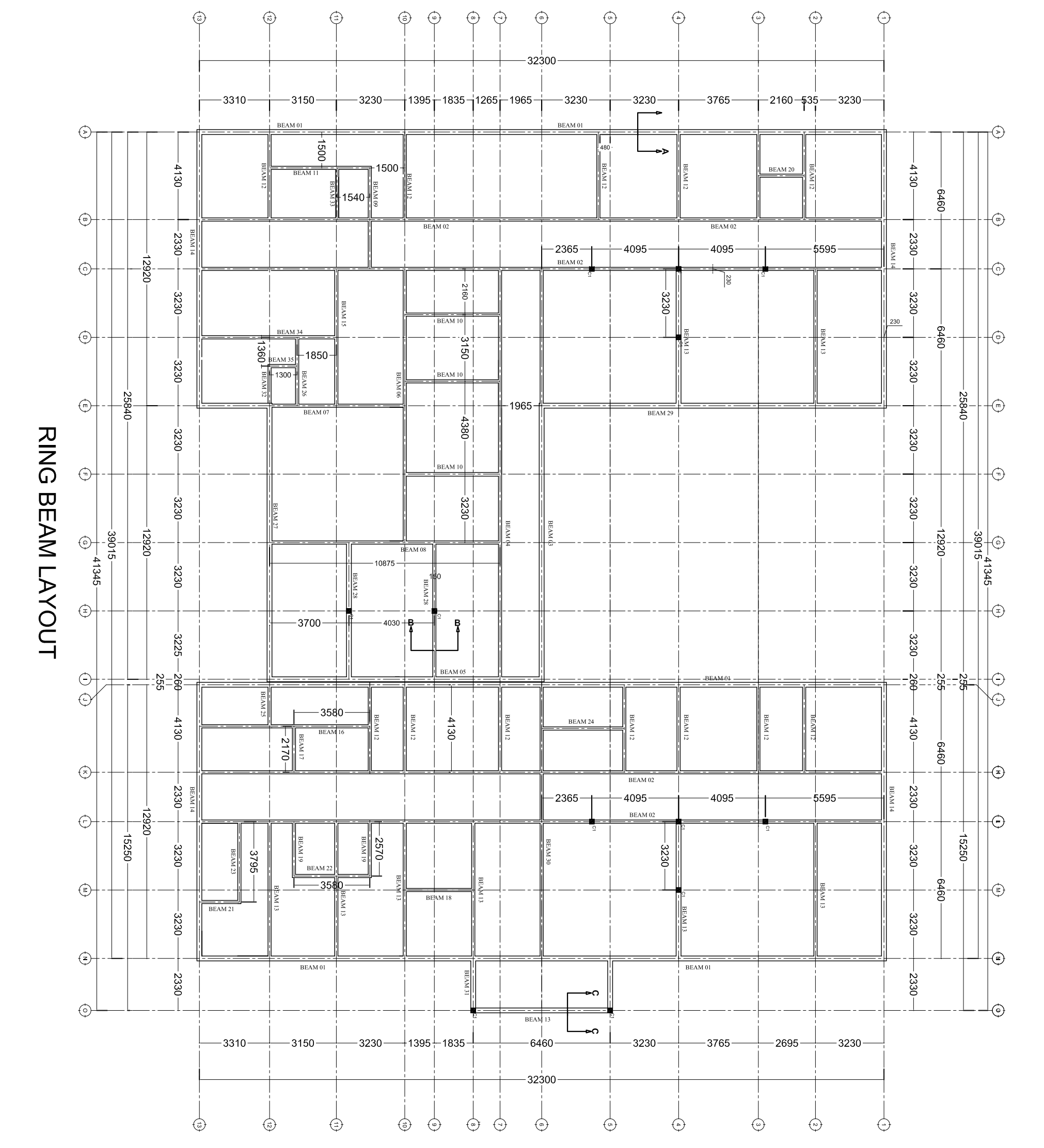
MTR/STR.104



SECTION A-A



SECTION B-B



RING BEAM LAYOUT

NOTE:

1. All dimensions are in mm unless otherwise specified
2. All discrepancies shall be referred to the structural engineer
3. Reinforced concrete shall be of grade 20 with $f_{cu}=25N/mm^2$ at 28 days of age
4. Main reinforcements shall be high tensile steel with $f_y = 460N/mm^2$
5. Nominal cover to the reinforcements:
 - a) Foundation 50mm
 - b) Column 25mm
 - c) Beam 25mm
 - d) Slab 25mm

PROJECT:
PROPOSED STANDARD DRAWINGS FOR COUNCIL HOSPITALS IN TANZANIA

CLIENT:
PRESIDENT'S OFFICE REGIONAL ADMINISTRATION LOCAL GOVERNMENT

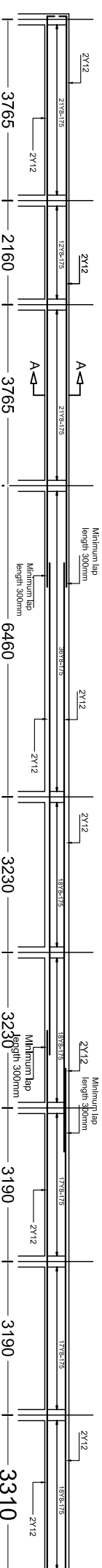
MINISTRY OF HEALTH, COMMUNITY DEVELOPMENT, GENDER AND CHILDREN

DRAWING TITLE:
MATERNITY WARD RING BEAM LAYOUT

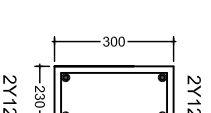
| | |
|--------------|------------------|
| Designed by: | Eng. R.A.M |
| Drawn by: | ENG. A.NGATOMELA |
| Checked by: | Eng. R.A.M |
| Approved by: | |
| Date: | 2018 |
| Drawing No. | MTR/STR.105 |
| Scale: | |
| Sheet: | |

NOTE:

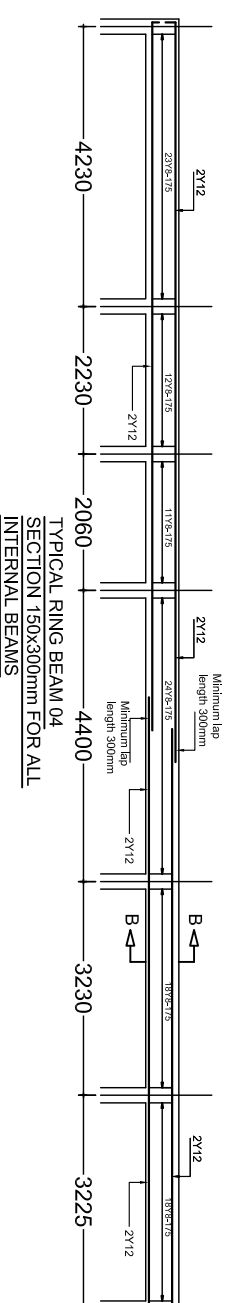
1. All dimensions are in mm unless otherwise specified
2. All discrepancies shall be referred to the structural engineer
3. Reinforced concrete shall be of grade 20 with $f_{cu}=25N/mm^2$ at 28 days of age
4. Main reinforcements shall be high tensile steel with $f_y = 460N/mm^2$
5. Nominal cover to the reinforcements:
 - a) Foundation 50mm
 - b) Column 25mm
 - c) Beam 25mm
 - d) Slab 25mm



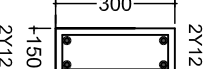
TYPICAL RING BEAM 01
SECTION 230x300mm FOR ALL
EXTERNAL BEAMS



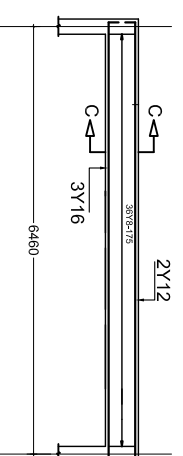
SECTION A-A



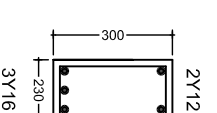
TYPICAL RING BEAM 04
SECTION 150x300mm FOR ALL
INTERNAL BEAMS



SECTION B-B



RING BEAM 13
SECTION 230x300mm



SECTION C-C

PROJECT:
**PROPOSED STANDARD
DRAWINGS FOR COUNCIL
HOSPITALS IN TANZANIA**

CLIENT:
**PRESIDENT'S OFFICE
REGIONAL ADMINISTRATION
LOCAL GOVERNMENT**

**MINISTRY OF HEALTH,
COMMUNITY DEVELOPMENT,
GENDER AND CHILDREN**

DRAWING TITLE:
**MATERNITY WARD
RING BEAM DETAILS**

Designed by: Eng. R.A.M

Drawn by: ENG. A.NGATOMELA

Checked by: Eng. R.A.M

Approved by:

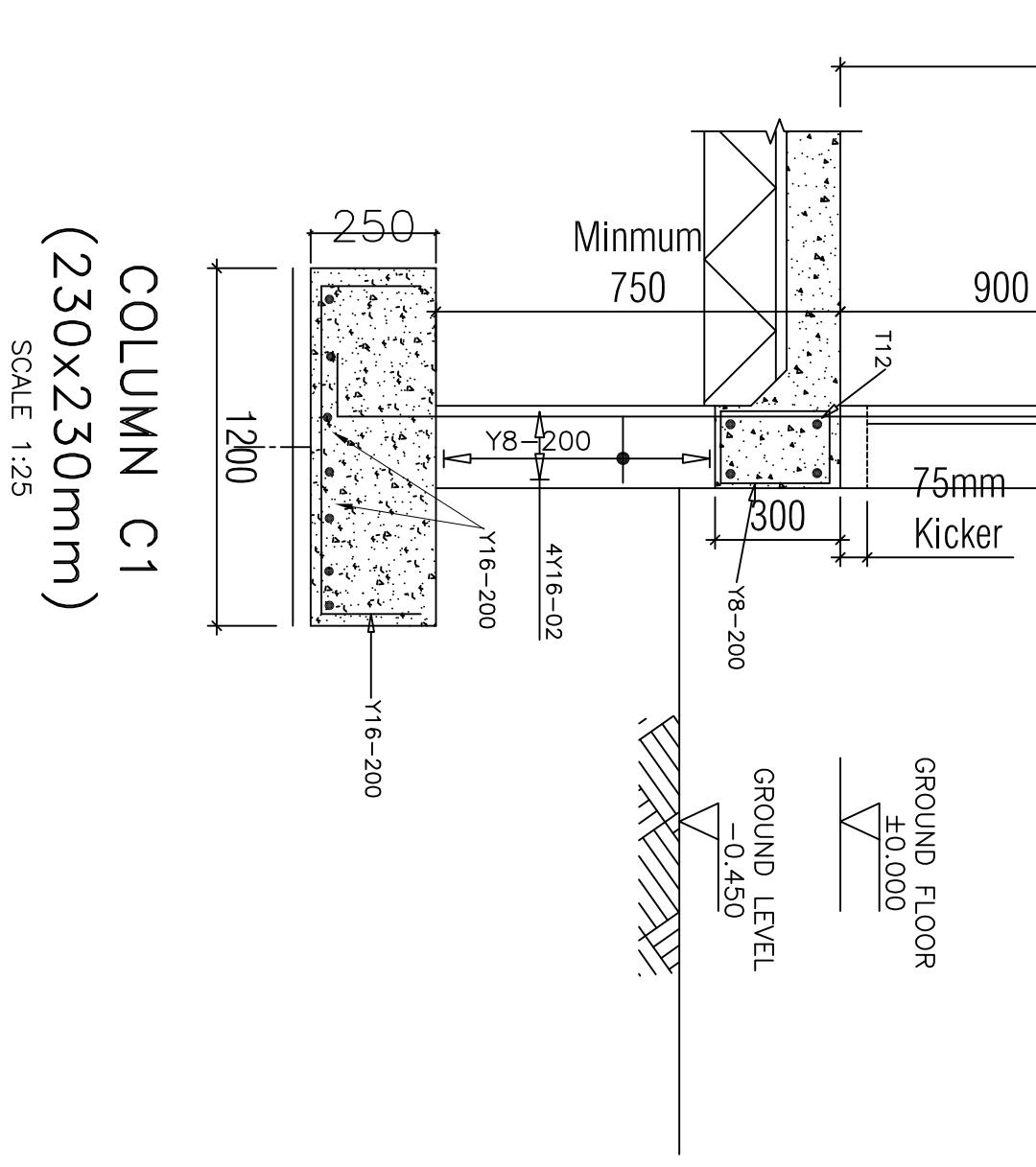
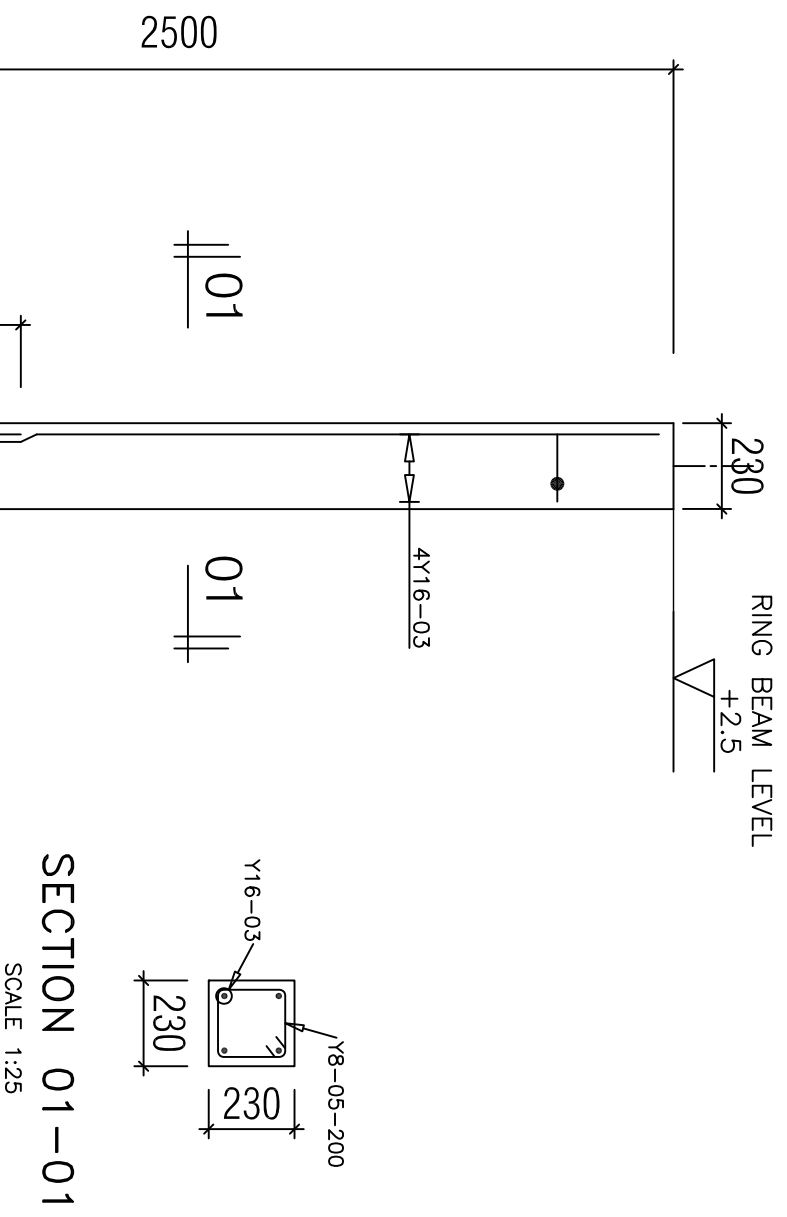
Date: **2018**

Scale:

Drawing No.

Sheet:

MTR/STR.106



NOTE:

1. All dimensions are in mm unless otherwise specified
2. All discrepancies shall be referred to the structural engineer
3. Reinforced concrete shall be of grade 20 with $f_{cu}=25N/mm^2$ at 28 days of age
4. Main reinforcements shall be high tensile steel with $f_y = 460N/mm^2$
5. Nominal cover to the reinforcements:
 - a) Foundation 50mm
 - b) Column 25mm
 - c) Beam 25mm
 - d) Slab 25mm

PROJECT:

**PROPOSED STANDARD
DRAWINGS FOR COUNCIL
HOSPITALS IN TANZANIA**

CLIENT:

**PRESIDENT'S OFFICE
REGIONAL ADMINISTRATION
LOCAL GOVERNMENT**

**MINISTRY OF HEALTH,
COMMUNITY DEVELOPMENT,
GENDER AND CHILDREN**

DRAWING TITLE:

**MATERNITY WARD
COLUMN DETAILS**

Designed by: Eng. R.A.M

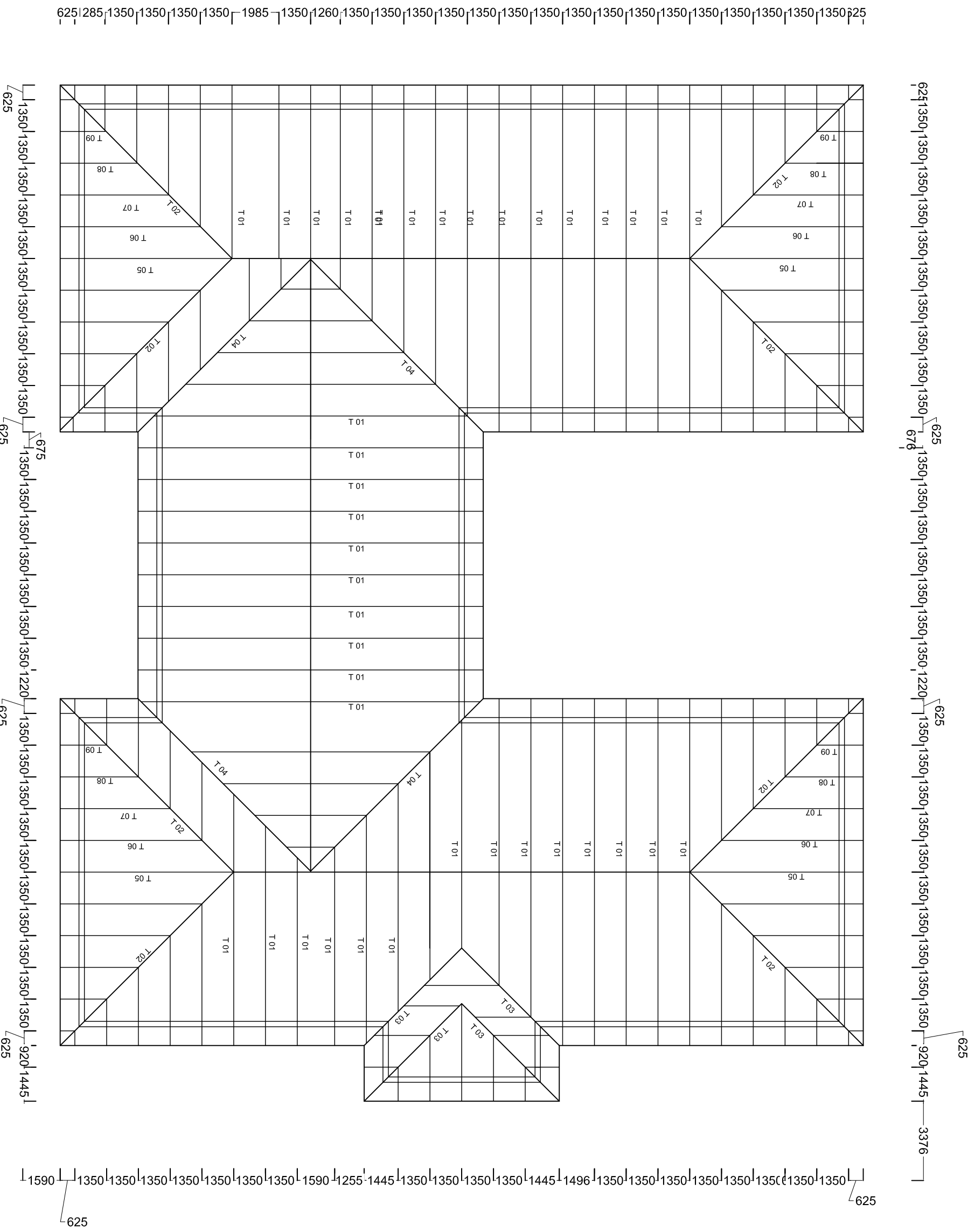
Drawn by: ENG. A.NGATOMELA

Checked by: Eng. R.A.M

Approved by:

Date: **2018** Scale:

Drawing No. **MTR/STR.107** Sheet:



TRUSS LAYOUT

NOTE:

1. All dimensions are in mm unless otherwise specified
2. All discrepancies shall be referred to the structural engineer
3. Reinforced concrete shall be of grade 20 with $f_{cu}=25N/mm^2$ at 28 days of age
4. Main reinforcements shall be high tensile steel with $f_y = 460N/mm^2$
5. Nominal cover to the reinforcements:
 - a) Foundation 50mm
 - b) Column 25mm
 - c) Beam 25mm
 - d) Slab 25mm

PROJECT:

**PROPOSED STANDARD
DRAWINGS FOR COUNCIL
HOSPITALS IN TANZANIA**

CLIENT:

**PRESIDENT'S OFFICE
REGIONAL ADMINISTRATION
LOCAL GOVERNMENT**

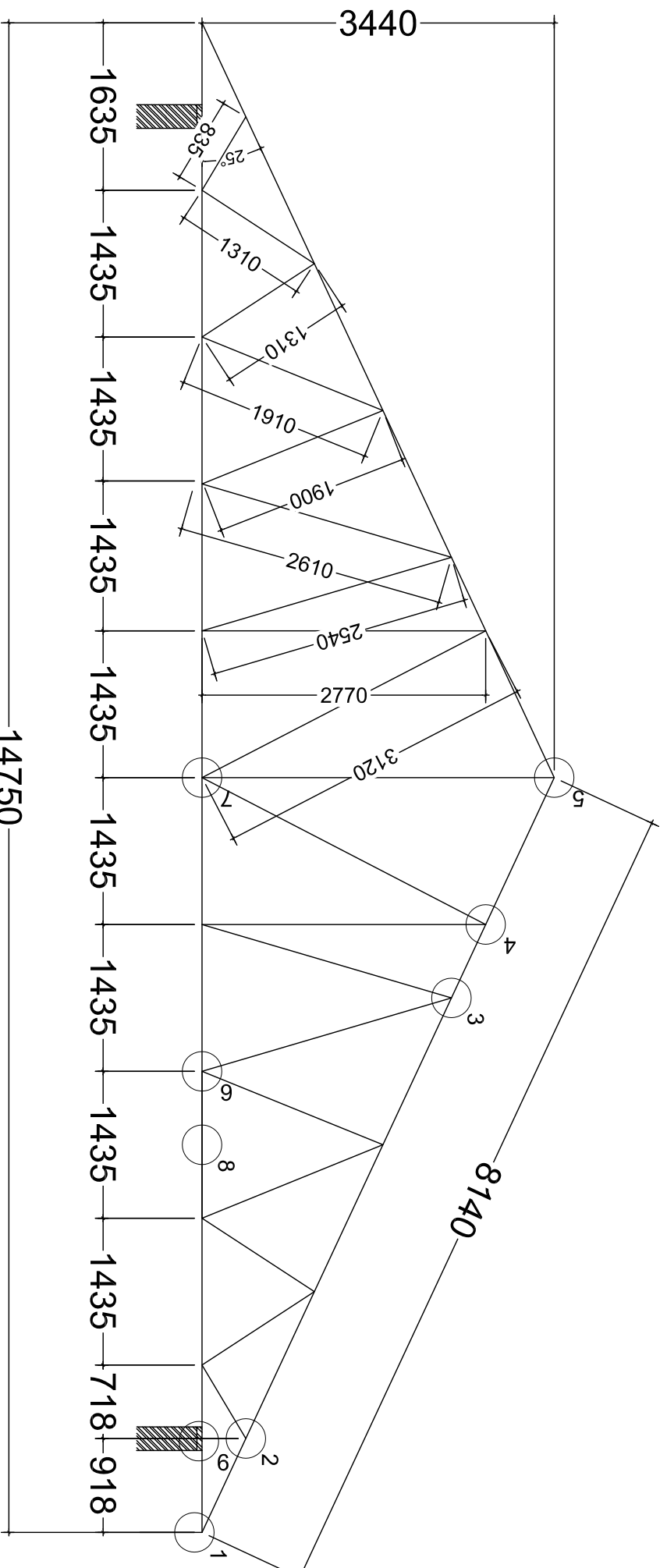
**MINISTRY OF HEALTH,
COMMUNITY DEVELOPMENT,
GENDER AND CHILDREN**

DRAWING TITLE: MATERNITY WARD TRUSS LAYOUT

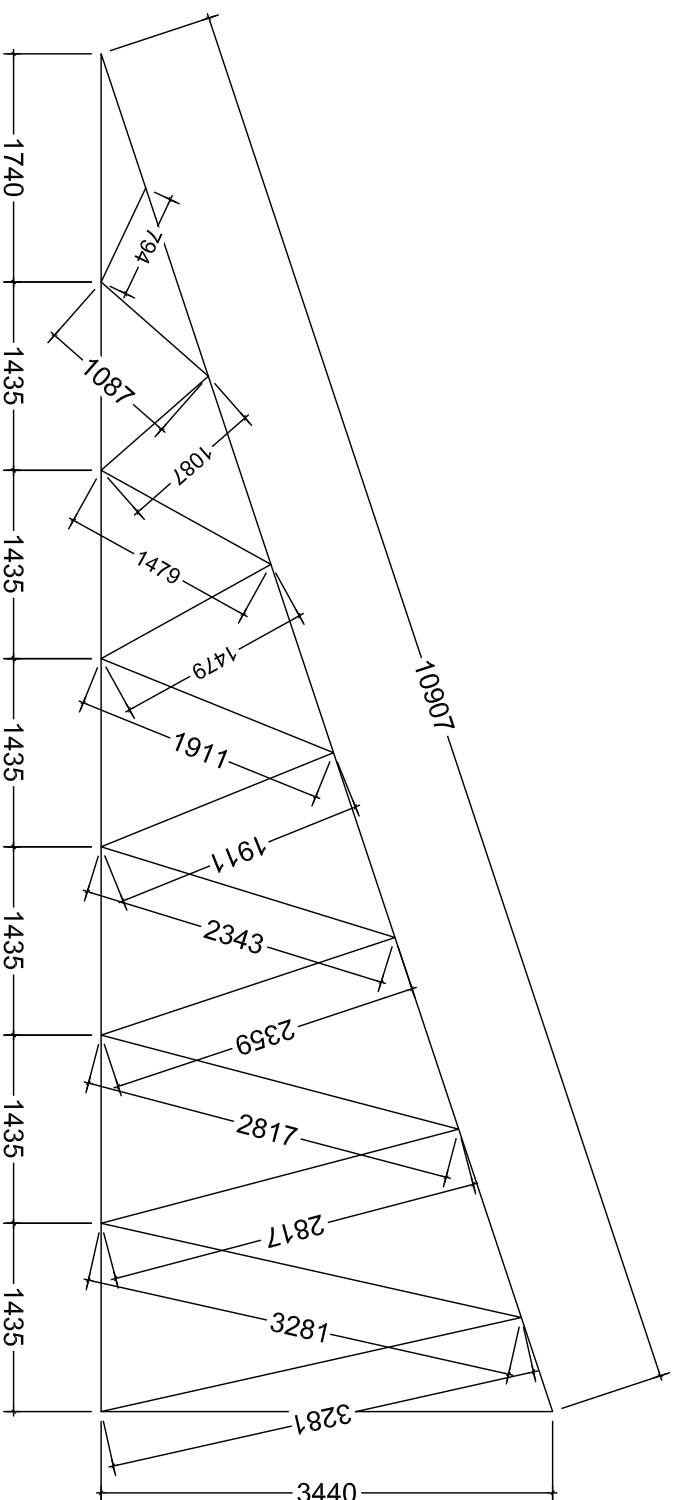
| | |
|--------------|------------------|
| Designed by: | Eng. R.A.M |
| Drawn by: | ENG. A.NGATOMELA |
| Checked by: | Eng. R.A.M |
| Approved by: | |

Date: **2018** Scale:

Drawing No. **MTR/STR.108** Sheet:



TYPICAL ROOF TRUSS T01



TYPICAL ROOF TRUSS T02

NOTE:

1. All dimensions are in mm unless otherwise specified
2. All discrepancies shall be referred to the structural engineer
3. Reinforced concrete shall be of grade 20 with $f_{cu}=25N/mm^2$ at 28 days of age
4. Main reinforcements shall be high tensile steel with $f_y = 460N/mm^2$
5. Nominal cover to the reinforcements:
 - a) Foundation 50mm
 - b) Column 25mm
 - c) Beam 25mm
 - d) Slab 25mm

PROJECT:

PROPOSED STANDARD DRAWINGS FOR COUNCIL HOSPITALS IN TANZANIA

CLIENT:

**PRESIDENT'S OFFICE
REGIONAL ADMINISTRATION
LOCAL GOVERNMENT**

**MINISTRY OF HEALTH,
COMMUNITY DEVELOPMENT,
GENDER AND CHILDREN**

**DRAWING TITLE:
MATERNITY WARD
TRUSS**

Designed by: Eng. R.A.M

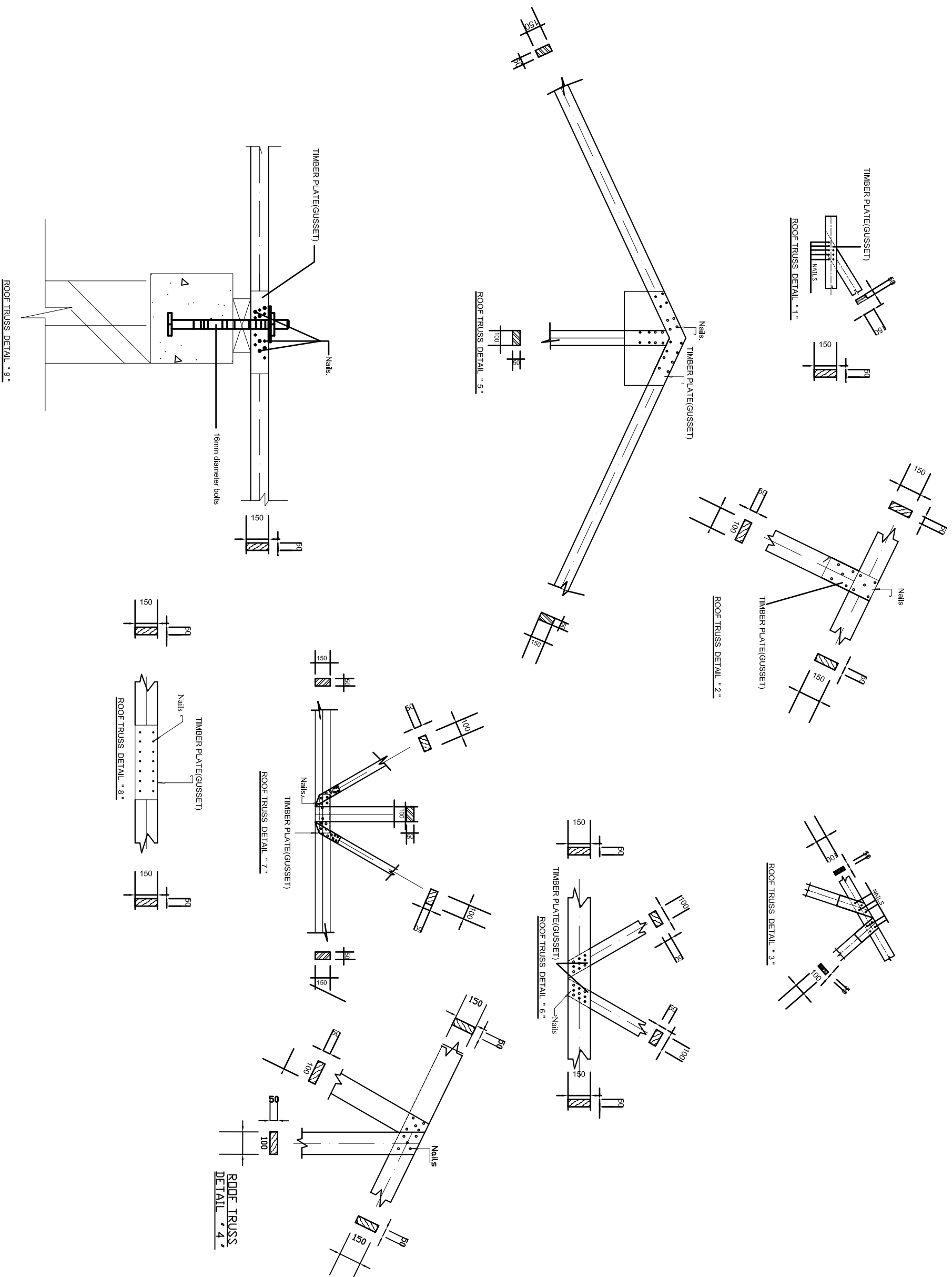
Drawn by: ENG. A.NGATOMELA

Checked by: Eng. R.A.M

Approved by:

Date: **2018** Scale:

Drawing No. **MTR/STR.109** Sheet:



NOTE:

1. All dimensions are in mm unless otherwise specified
2. All discrepancies shall be referred to the structural engineer
3. Reinforced concrete shall be of grade 20 with $f_{cu}=25N/mm^2$ at 28 days of age
4. Main reinforcements shall be high tensile steel with $f_y = 460N/mm^2$
5. Nominal cover to the reinforcements:
 - a) Foundation 50mm
 - b) Column 25mm
 - c) Beam 25mm
 - d) Slab 25mm

PROJECT:

**PROPOSED STANDARD
DRAWINGS FOR COUNCIL
HOSPITALS IN TANZANIA**

CLIENT:

**PRESIDENT'S OFFICE
REGIONAL ADMINISTRATION
LOCAL GOVERNMENT**

**MINISTRY OF HEALTH,
COMMUNITY DEVELOPMENT,
GENDER AND CHILDREN**

DRAWING TITLE:

**MATERNITY WARD
TRUSS DETAILS & CONNECTIONS**

Designed by: Eng. R.A.M

Drawn by: ENG. A.NGATOMELA

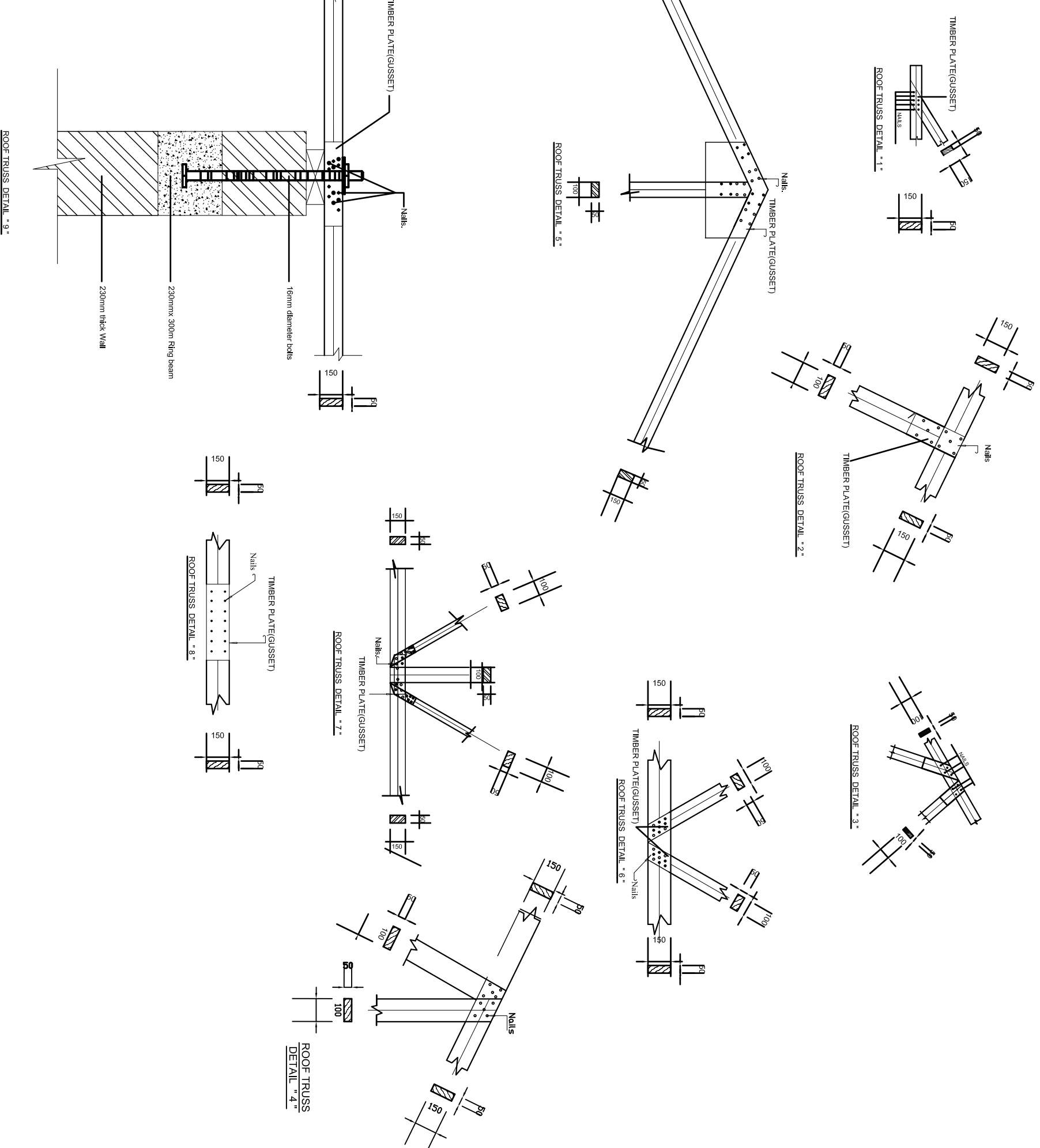
Checked by: Eng. R.A.M

Approved by:

Date: **2018** Scale:

Drawing No. Sheet:

MTR/STR.110



NOTE:

1. All dimensions are in mm unless otherwise specified
2. All discrepancies shall be referred to the structural engineer
3. Reinforced concrete shall be of grade 20 with $f_{cu}=25N/mm^2$ at 28 days of age
4. Main reinforcements shall be high tensile steel with $f_y = 460N/mm^2$
5. Nominal cover to the reinforcements:
 - a) Foundation 50mm
 - b) Column 25mm
 - c) Beam 25mm
 - d) Slab 25mm

PROJECT:

**PROPOSED STANDARD
DRAWINGS FOR COUNCIL
HOSPITALS IN TANZANIA**

CLIENT:

**PRESIDENT'S OFFICE
REGIONAL ADMINISTRATION
LOCAL GOVERNMENT**

**MINISTRY OF HEALTH,
COMMUNITY DEVELOPMENT,
GENDER AND CHILDREN**

DRAWING TITLE:

**MATERNITY WARD
TRUSS DETAILS & CONNECTION 01**

Designed by: Eng. R.A.M

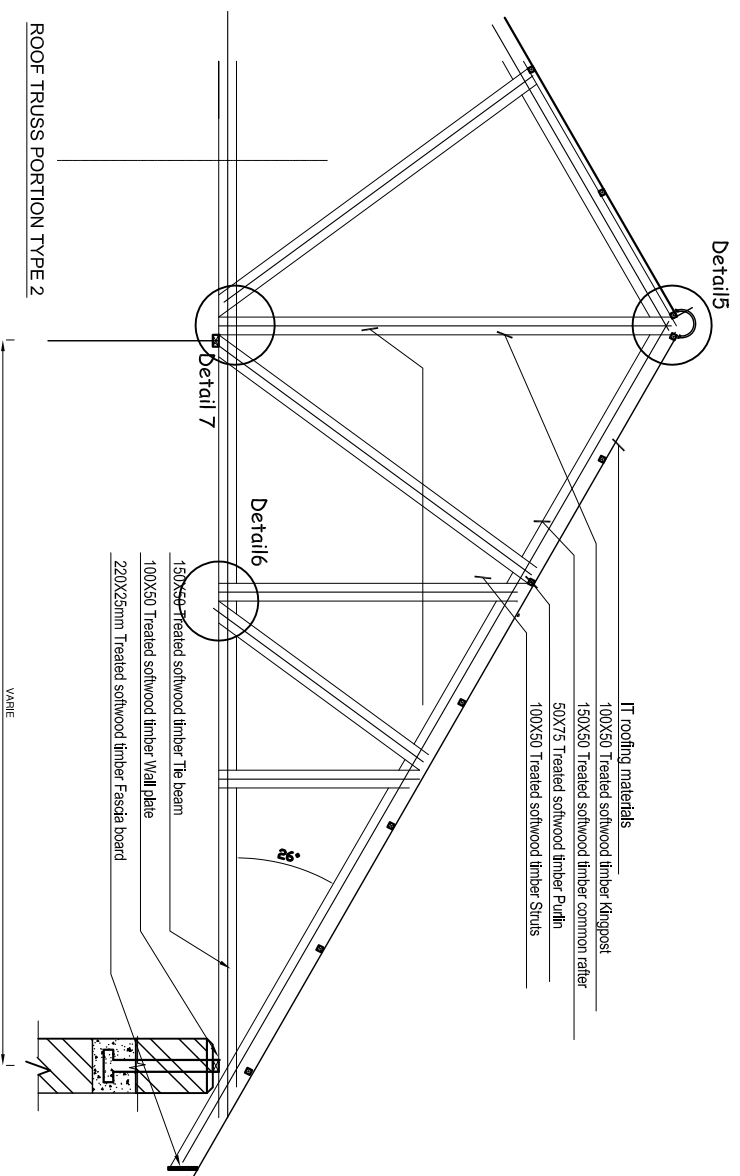
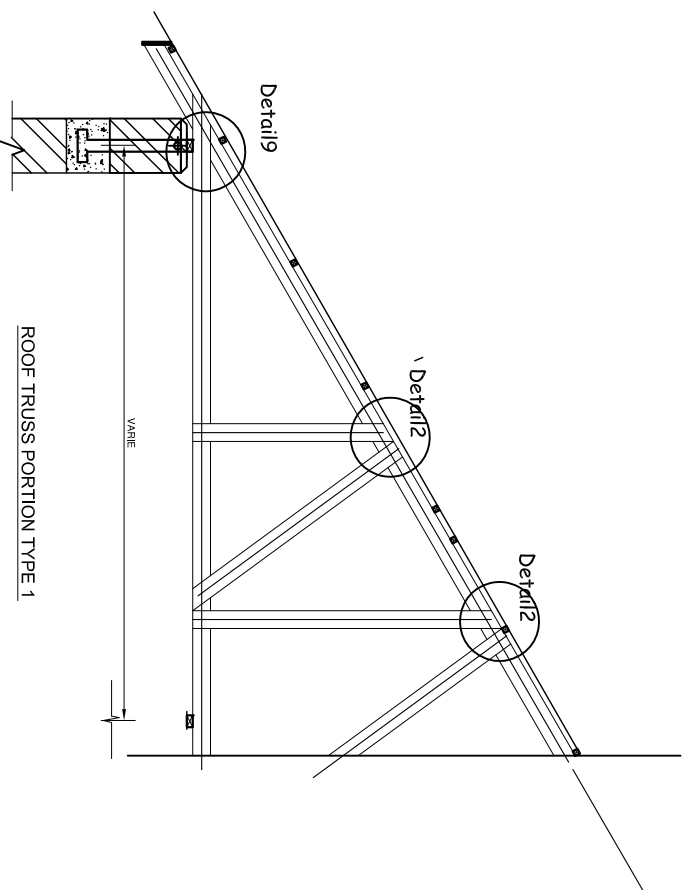
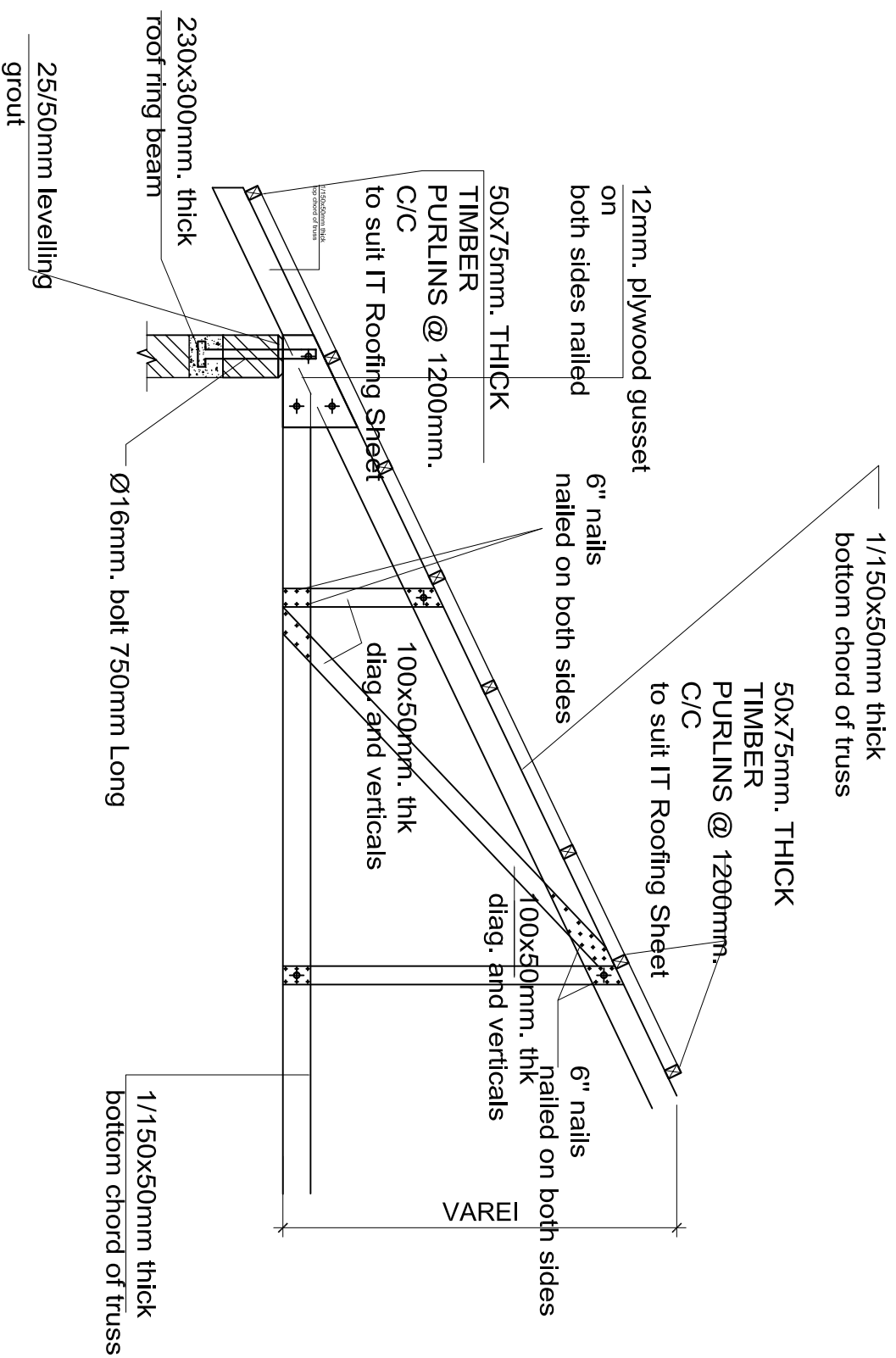
Drawn by: ENG. A.NGATOMELA

Checked by: Eng. R.A.M

Approved by:

Date: **2018** Scale:

Drawing No. **MTR/STR.110** Sheet:



- NOTE:**
1. All dimensions are in mm unless otherwise specified
 2. All discrepancies shall be referred to the structural engineer
 3. Reinforced concrete shall be of grade 20 with $f_{cu}=25N/mm^2$ at 28 days of age
 4. Main reinforcements shall be high tensile steel with $f_y = 460N/mm^2$
 5. Nominal cover to the reinforcements:
 - a) Foundation 50mm
 - b) Column 25mm
 - c) Beam 25mm
 - d) Slab 25mm

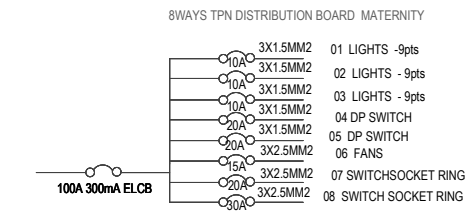
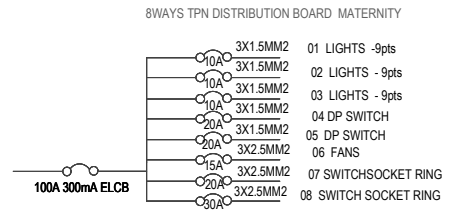
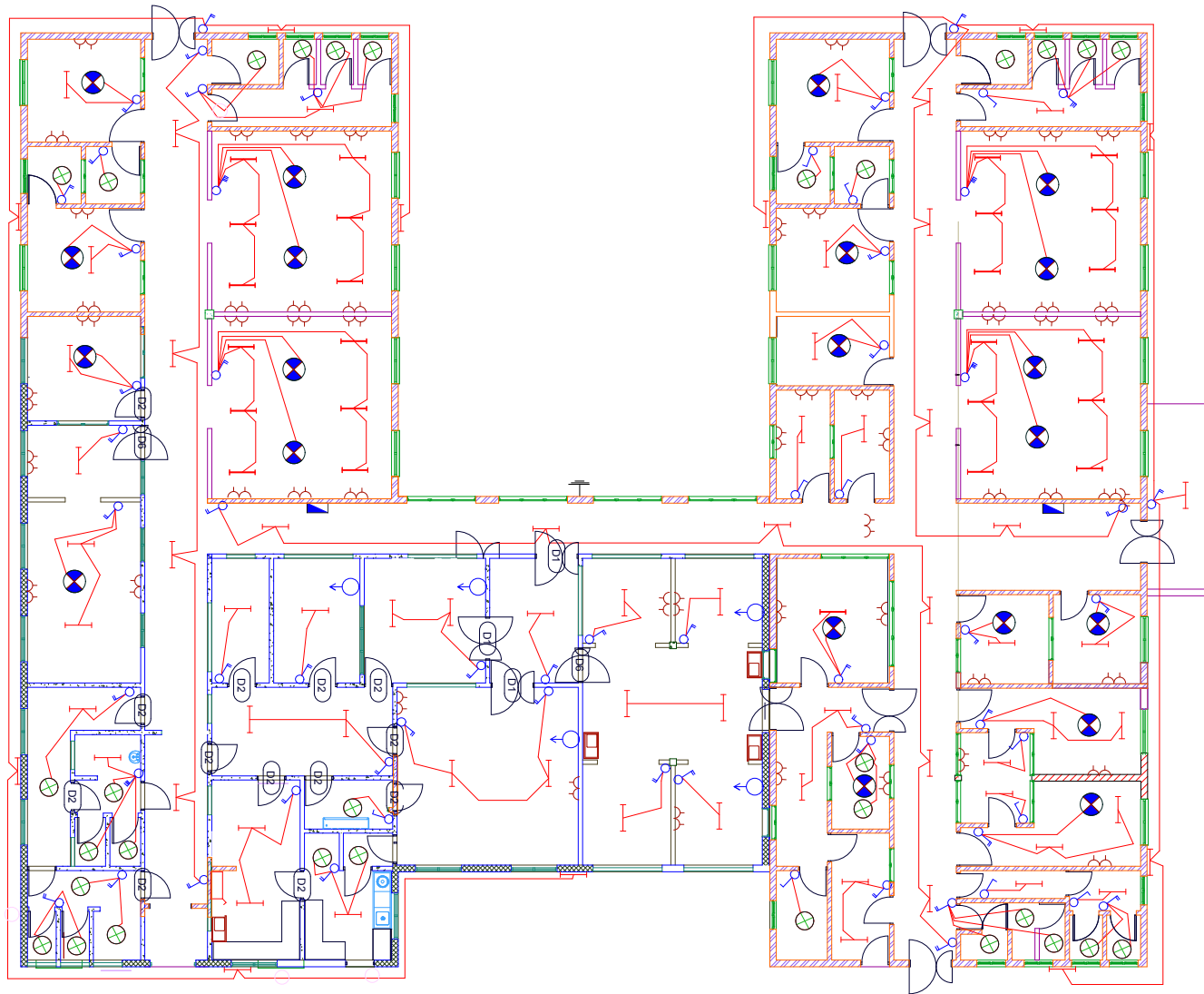
PROJECT:
PROPOSED STANDARD DRAWINGS FOR COUNCIL HOSPITALS IN TANZANIA

CLIENT: **PRESIDENT'S OFFICE REGIONAL ADMINISTRATION LOCAL GOVERNMENT**

MINISTRY OF HEALTH, COMMUNITY DEVELOPMENT, GENDER AND CHILDREN

DRAWING TITLE:
MATERNITY WARD TRUSS DETAILS & CONNECTION 02

| | |
|--------------|------------------|
| Designed by: | Eng. R.A.M |
| Drawn by: | ENG. A.NGATOMELA |
| Checked by: | Eng. R.A.M |
| Approved by: | |
| Date: | 2018 |
| Drawing No. | MTR/STR.111 |
| Scale: | |
| Sheet: | |



Building Section
 Planning and Policy Department
 Ministry of Health, Community Development,
 Gender Elderly and Children.
 University of Dodoma
 College of Humanities and Social Science I Ith
 Building, P.O. Box 743,
 40478 Dodoma

In Collaboration with

President's Office, Regional Administration
 and Local Government.
 Mkapa Building,
 P.O. Box 1923,
 41185 Dodoma

Client

PRESIDENT'S OFFICE, REGIONAL ADMINISTRATION AND
 LOCAL GOVERNMENT, MKAPA BUILDING,
 P.O. BOX 1923, 41185 DODOMA

Project

PROPOSED STANDARD DESIGN FOR COUNCIL LEVEL
 HOSPITALS IN TANZANIA

Drawing title

MATERNITY
 ELECTRICAL PLAN

Project number

Date **NOV, 2018**

Drawn by **ECC**

Checked by **ECC**

MAT/E 101

Scale 1:150