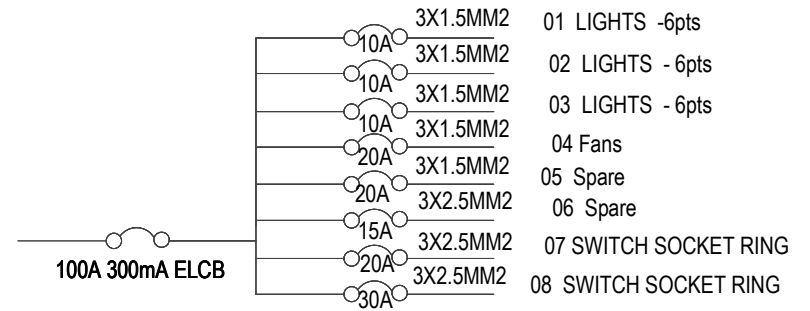


8WAYS TPN DISTRIBUTION BOARD MAIN STORE



Building Section  
 Planning and Policy Department  
 Ministry of Health, Community Development,  
 Gender Elderly and Children.  
 University of Dodoma  
 College of Humanities and Social Science I Ith  
 Building, P.O. Box 743,  
 40478 Dodoma

In Collaboration with

President's Office, Regional Administration  
 and Local Government.  
 Mkapa Building,  
 P.O. Box 1923,  
 41185 Dodoma

Client

PRESIDENT'S OFFICE, REGIONAL ADMINISTRATION AND  
 LOCAL GOVERNMENT, MKAPA BUILDING,  
 P.O. BOX 1923, 41185 DODOMA

Project

PROPOSED STANDARD DESIGN FOR COUNCIL LEVEL  
 HOSPITALS IN TANZANIA

Drawing title

MAIN STORE  
 ELECTRICAL PLAN

Project number

Date **May, 2018**

Drawn by **EEC**

Checked by **EEC**

M5/E 101

Scale 1:150