

**NOTE:**

1. All dimensions are in mm unless otherwise specified
2. All discrepancies shall be referred to the structural engineer
3. Reinforced concrete shall be of grade 20 with  $f_{cu}=25N/mm^2$  at 28 days of age
4. Main reinforcements shall be high tensile steel with  $f_y = 460N/mm^2$
5. Nominal cover to the reinforcements:
  - a) Foundation 50mm
  - b) Column 25mm
  - c) Beam 25mm
  - d) Slab 25mm

**PROJECT:**

**PROPOSED STANDARD  
DRAWINGS FOR COUNCIL  
HOSPITALS IN TANZANIA**

**CLIENT:**

**PRESIDENT'S OFFICE  
REGIONAL ADMINISTRATION  
LOCAL GOVERNMENT**

**MINISTRY OF HEALTH,  
COMMUNITY DEVELOPMENT,  
GENDER AND CHILDREN**

**DRAWING TITLE:  
GYNAECOLOGY WARD  
FOUNDATION PLAN**

Designed by: Eng. R.A.M

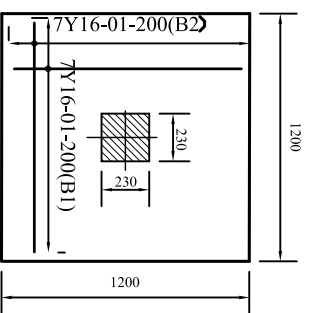
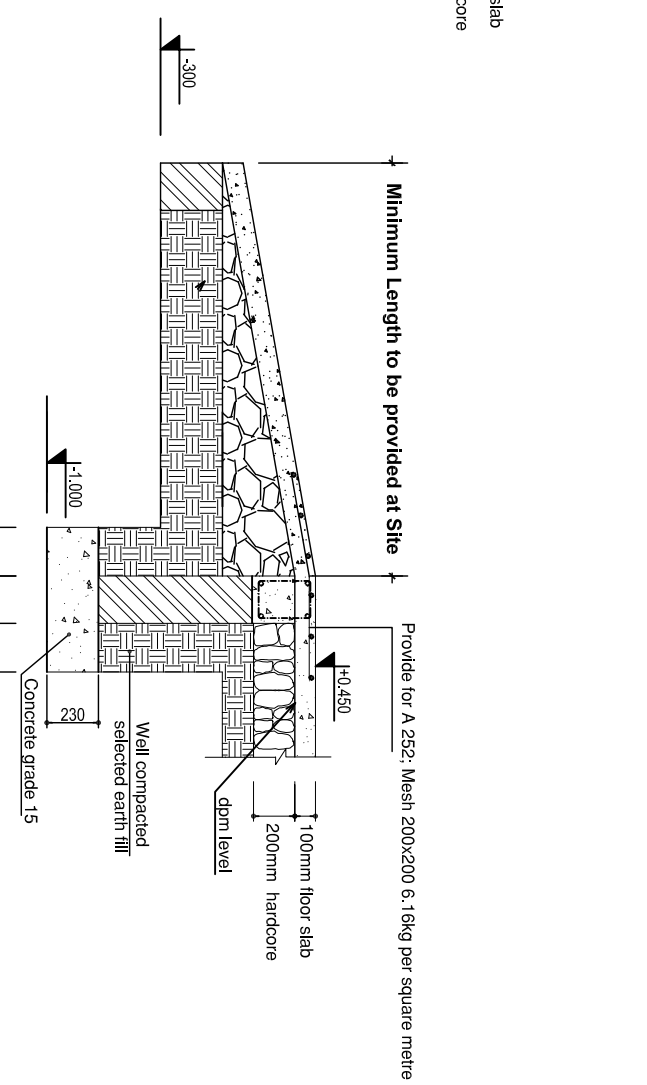
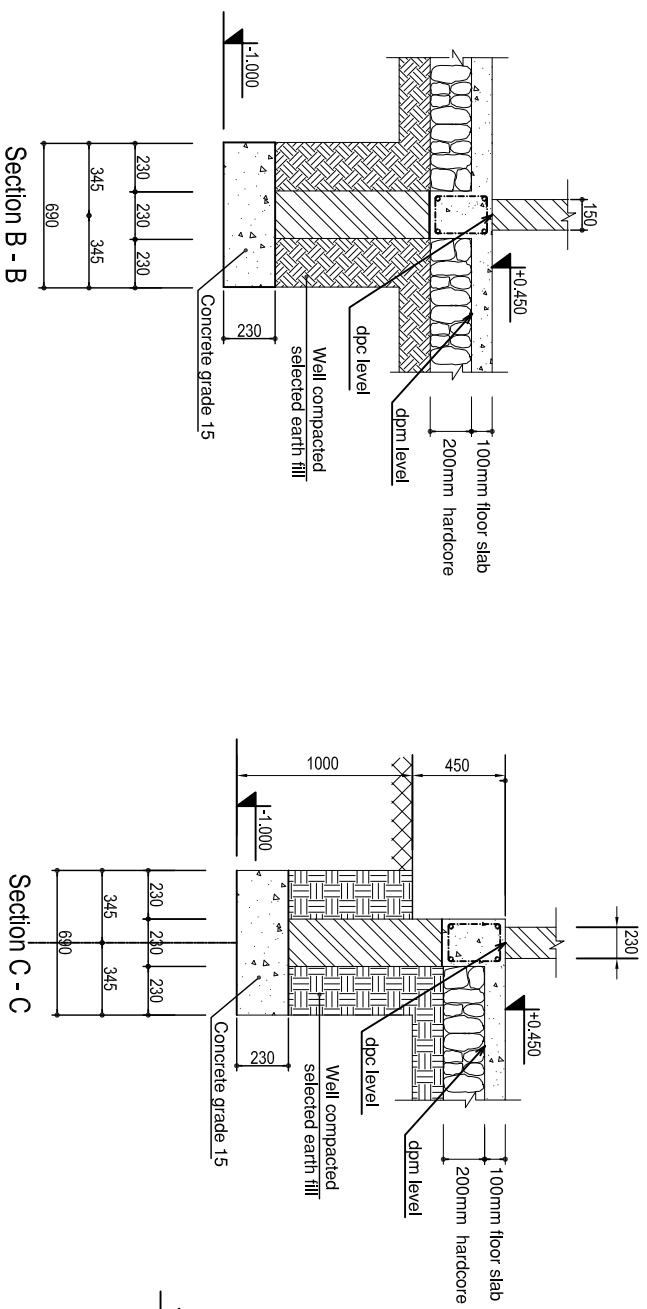
Drawn by: ENG. A.NGATOMELA

Checked by: Eng. R.A.M

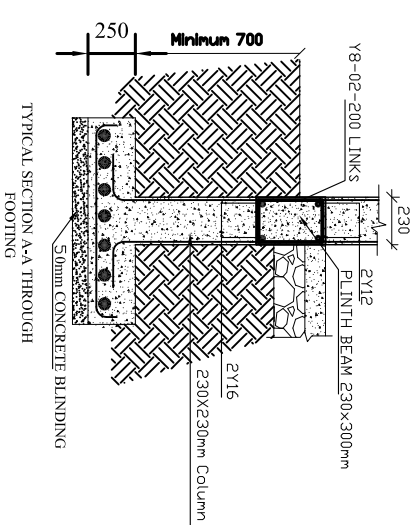
Approved by:

Date: **2018** Scale:

Drawing No. **GYN/STR.101** Sheet:



COLUMN FOOTING FL-15NKS  
1200x1200x250mm



Section D - D: Ramp Details

**NOTE:**

1. All dimensions are in mm unless otherwise specified
2. All discrepancies shall be referred to the structural engineer
3. Reinforced concrete shall be of grade 20 with  $f_{cu}=25N/mm^2$  at 28 days of age
4. Main reinforcements shall be high tensile steel with  $f_y = 460N/mm^2$
5. Nominal cover to the reinforcements:
  - a) Foundation 50mm
  - b) Column 25mm
  - c) Beam 25mm
  - d) Slab 25mm

**PROJECT:**

**PROPOSED STANDARD DRAWINGS FOR COUNCIL HOSPITALS IN TANZANIA**

**CLIENT:**

**PRESIDENT'S OFFICE  
REGIONAL ADMINISTRATION  
LOCAL GOVERNMENT**

**MINISTRY OF HEALTH,  
COMMUNITY DEVELOPMENT,  
GENDER AND CHILDREN**

**DRAWING TITLE:  
GYNAECOLOGY WARD  
FOUNDATION DETAILS**

Designed by: Eng. R.A.M

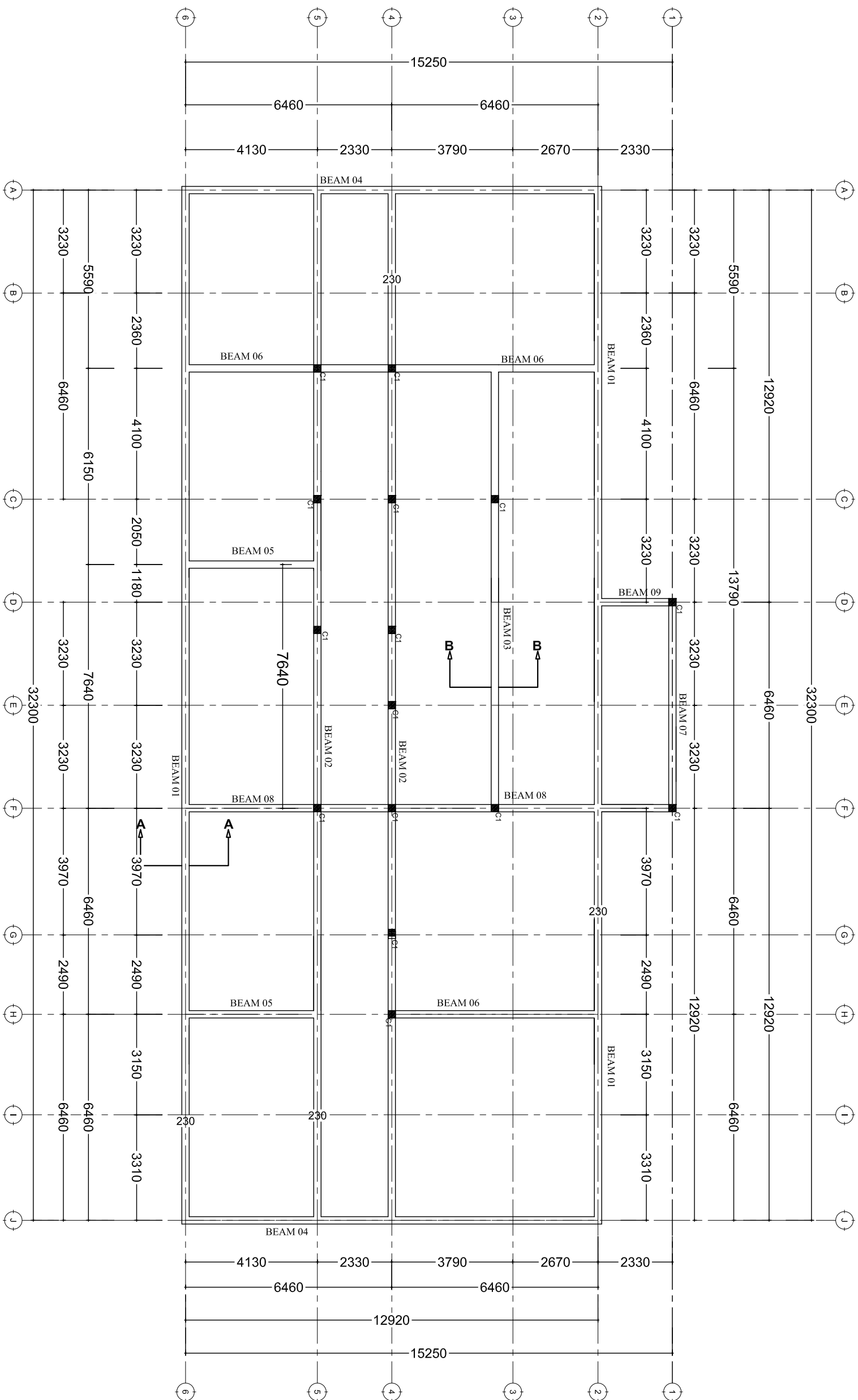
Drawn by: ENG. A.NGATOMELA

Checked by: Eng. R.A.M

Approved by:

Date: **2018** Scale:

Drawing No. **GYN/STR.102** Sheet:



**NOTE:**

1. All dimensions are in mm unless otherwise specified
2. All discrepancies shall be referred to the structural engineer
3. Reinforced concrete shall be of grade 20 with  $f_{cu}=25N/mm^2$  at 28 days of age
4. Main reinforcements shall be high tensile steel with  $f_y = 460N/mm^2$
5. Nominal cover to the reinforcements:
  - a) Foundation 50mm
  - b) Column 25mm
  - c) Beam 25mm
  - d) Slab 25mm

**PROJECT:**

**PROPOSED STANDARD  
DRAWINGS FOR COUNCIL  
HOSPITALS IN TANZANIA**

**CLIENT:**

**PRESIDENT'S OFFICE  
REGIONAL ADMINISTRATION  
LOCAL GOVERNMENT**

**MINISTRY OF HEALTH,  
COMMUNITY DEVELOPMENT,  
GENDER AND CHILDREN**

**DRAWING TITLE:**

**GYNAECOLOGY WARD  
PLINTH BEAM LAYOUT**

Designed by: Eng. R.A.M

Drawn by: ENG. A.NGATOMELA

Checked by: Eng. R.A.M

Approved by:

Date: **2018** Scale:

Drawing No. **GYN/STR.103** Sheet:

**NOTE:**

1. All dimensions are in mm unless otherwise specified
2. All discrepancies shall be referred to the structural engineer
3. Reinforced concrete shall be of grade 20 with  $f_{cu}=25N/mm^2$  at 28 days of age
4. Main reinforcements shall be high tensile steel with  $f_y = 460N/mm^2$
5. Nominal cover to the reinforcements:
  - a) Foundation 50mm
  - b) Column 25mm
  - c) Beam 25mm
  - d) Slab 25mm

**PROJECT:**

**PROPOSED STANDARD  
DRAWINGS FOR COUNCIL  
HOSPITALS IN TANZANIA**

**CLIENT:**

**PRESIDENT'S OFFICE  
REGIONAL ADMINISTRATION  
LOCAL GOVERNMENT**

**MINISTRY OF HEALTH,  
COMMUNITY DEVELOPMENT,  
GENDER AND CHILDREN**

**DRAWING TITLE:  
GYNECOLOGY WARD  
PLINTH BEAM DETAILS**

Designed by: Eng. R.A.M

Drawn by: ENG. A.NGATOMELA

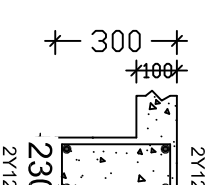
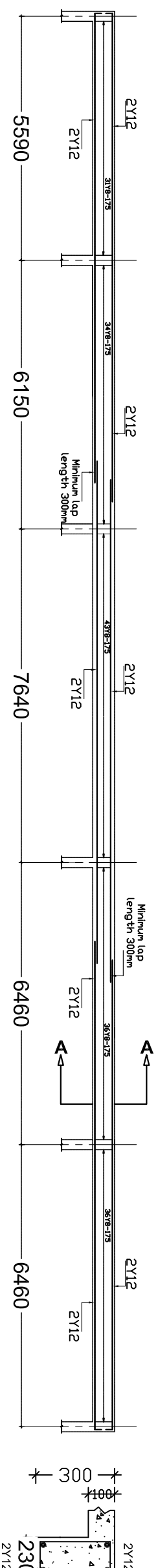
Checked by: Eng. R.A.M

Approved by:

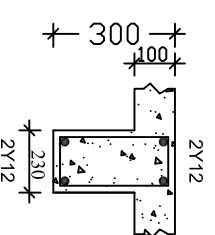
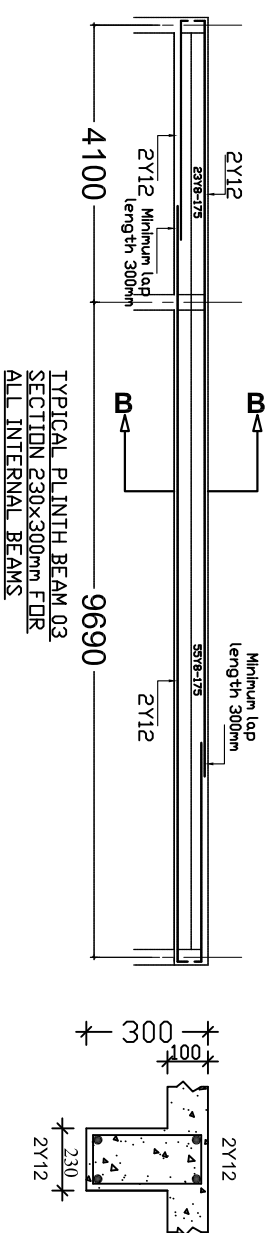
Date: **2018** Scale:

Drawing No. Sheet:

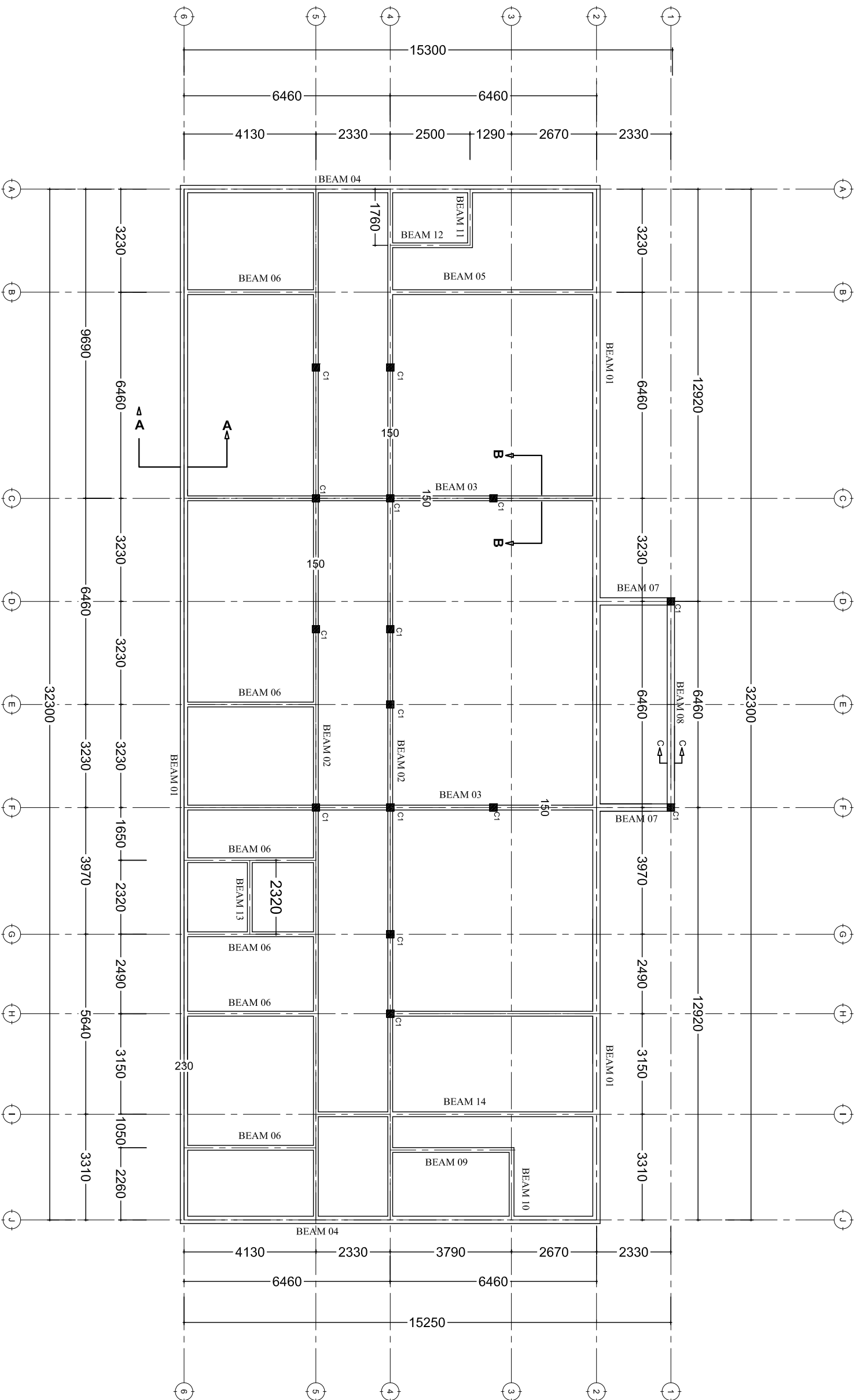
**GYW/STR.104**



SECTION A-A



SECTION B-B



**NOTE:**

1. All dimensions are in mm unless otherwise specified
2. All discrepancies shall be referred to the structural engineer
3. Reinforced concrete shall be of grade 20 with  $f_{cu}=25N/mm^2$  at 28 days of age
4. Main reinforcements shall be high tensile steel with  $f_y = 460N/mm^2$
5. Nominal cover to the reinforcements:
  - a) Foundation 50mm
  - b) Column 25mm
  - c) Beam 25mm
  - d) Slab 25mm

**PROJECT:**

**PROPOSED STANDARD  
DRAWINGS FOR COUNCIL  
HOSPITALS IN TANZANIA**

**CLIENT:**

**PRESIDENT'S OFFICE  
REGIONAL ADMINISTRATION  
LOCAL GOVERNMENT**

**MINISTRY OF HEALTH,  
COMMUNITY DEVELOPMENT,  
GENDER AND CHILDREN**

**DRAWING TITLE:  
GYNAECOLOGY WARD  
RING BEAM LAYOUT**

Designed by: Eng. R.A.M

Drawn by: ENG. A.NGATOMELA

Checked by: Eng. R.A.M

Approved by:

Date: **2018** Scale:

Drawing No. **GYN/STR.105** Sheet:

**NOTE:**

1. All dimensions are in mm unless otherwise specified
2. All discrepancies shall be referred to the structural engineer
3. Reinforced concrete shall be of grade 20 with  $f_{cu}=25N/mm^2$  at 28 days of age
4. Main reinforcements shall be high tensile steel with  $f_y = 460N/mm^2$
5. Nominal cover to the reinforcements:
  - a) Foundation 50mm
  - b) Column 25mm
  - c) Beam 25mm
  - d) Slab 25mm

**PROJECT:**

**PROPOSED STANDARD  
DRAWINGS FOR COUNCIL  
HOSPITALS IN TANZANIA**

**CLIENT:**

**PRESIDENT'S OFFICE  
REGIONAL ADMINISTRATION  
LOCAL GOVERNMENT**

**MINISTRY OF HEALTH,  
COMMUNITY DEVELOPMENT,  
GENDER AND CHILDREN**

**DRAWING TITLE:  
GYNAECFOLOGY WARD  
RING BEAM DETAILS**

Designed by: Eng. R.A.M

Drawn by: ENG. A.NGATOMELA

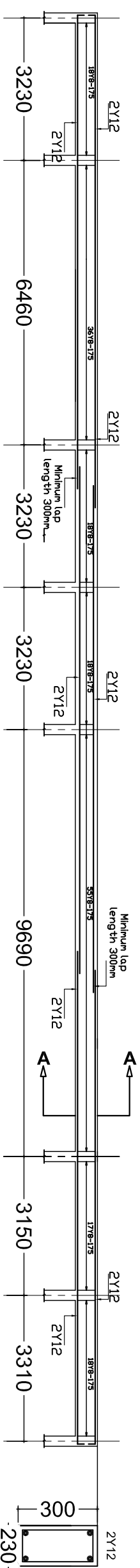
Checked by: Eng. R.A.M

Approved by:

Date: **2018** Scale:

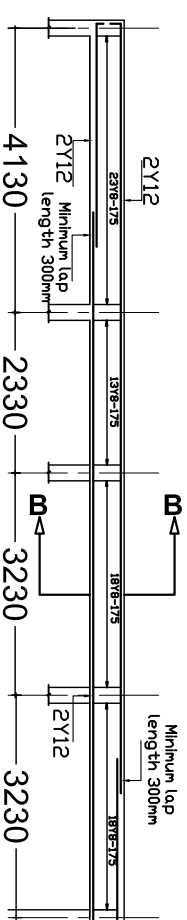
Drawing No. Sheet:

**GYN/STR.106**



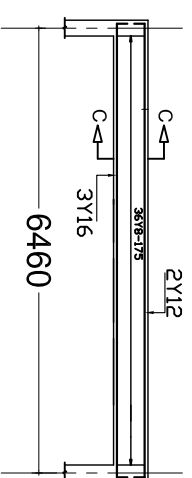
TYPICAL RING BEAM 01  
SECTION 230x300mm FOR  
ALL EXTERNAL BEAMS

SECTION A-A  
2Y12



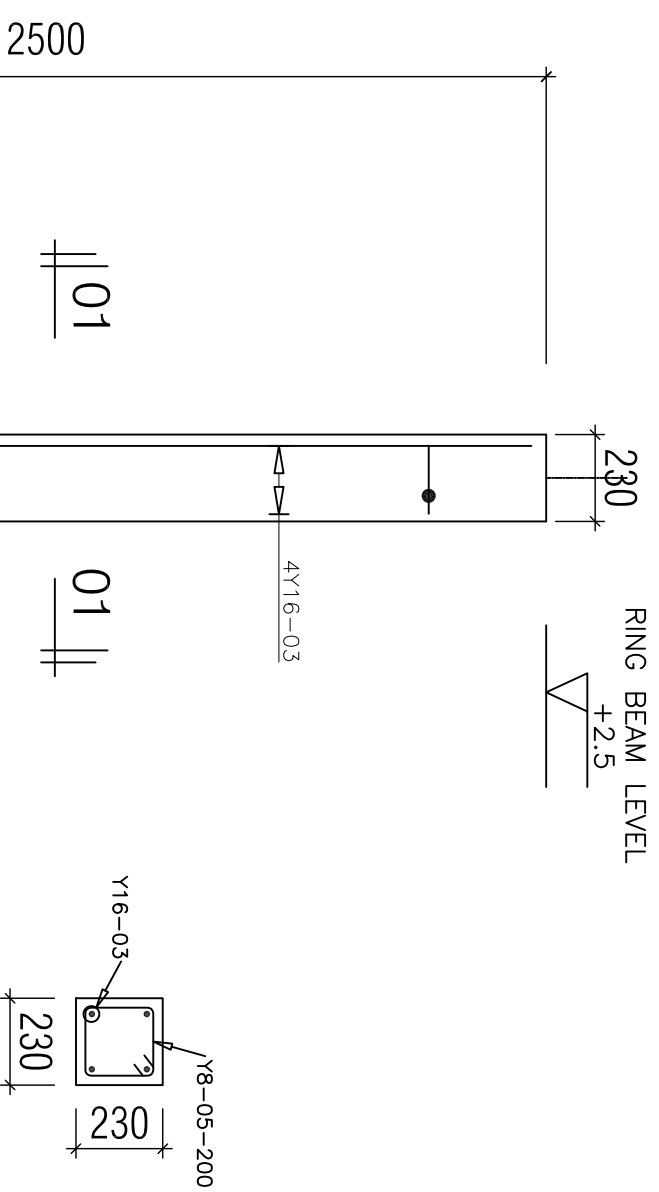
TYPICAL RING BEAM 03  
SECTION 150x300mm FOR  
ALL INTERNAL BEAMS

SECTION B-B  
2Y12  
150

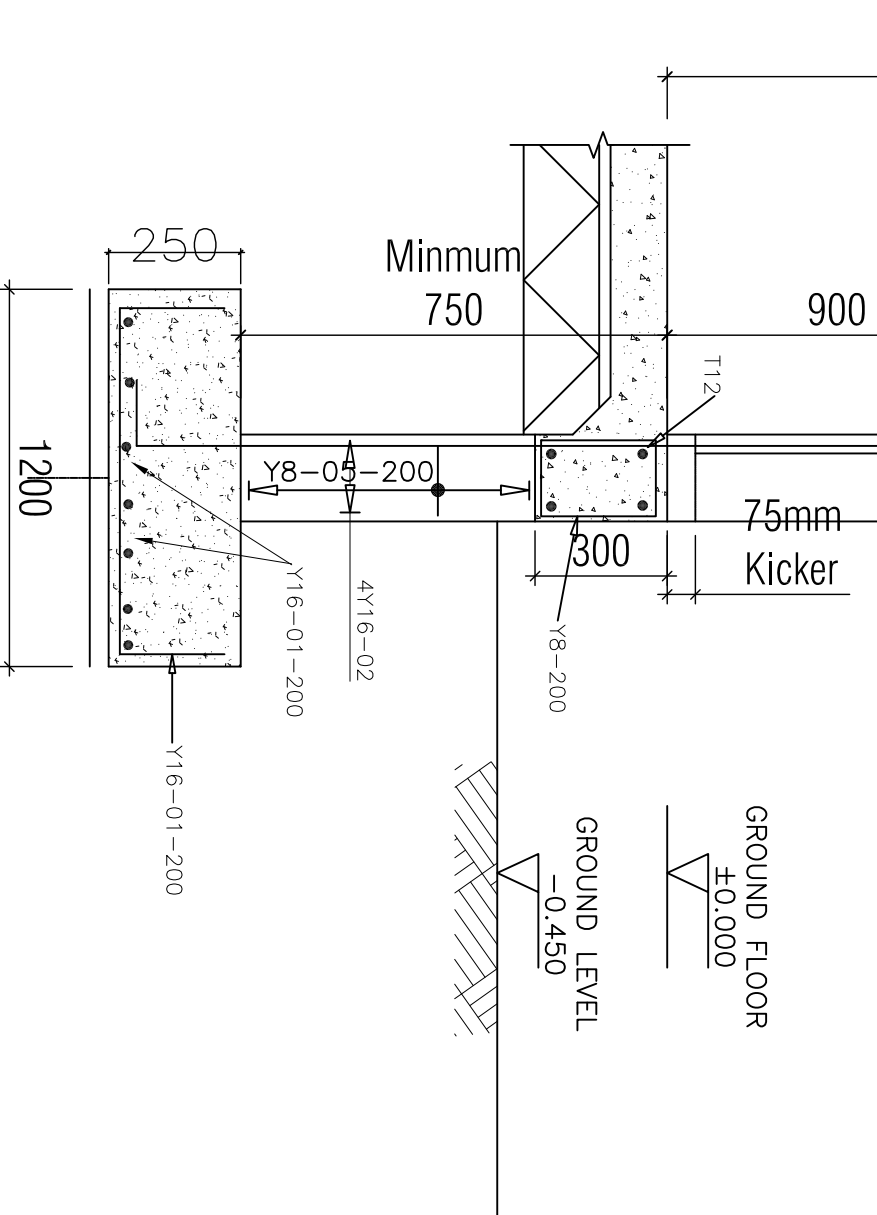


RING BEAM 08  
SECTION 230x300mm

SECTION C-C



**SECTION 01-01**  
SCALE 1:25



**COLUMN C1**  
**(230x230mm)**  
SCALE 1:25

**NOTE:**

1. All dimensions are in mm unless otherwise specified
2. All discrepancies shall be referred to the structural engineer
3. Reinforced concrete shall be of grade 20 with  $f_{cu}=25N/mm^2$  at 28 days of age
4. Main reinforcements shall be high tensile steel with  $f_y = 460N/mm^2$
5. Nominal cover to the reinforcements:
  - a) Foundation 50mm
  - b) Column 25mm
  - c) Beam 25mm
  - d) Slab 25mm

**PROJECT:**

**PROPOSED STANDARD  
DRAWINGS FOR COUNCIL  
HOSPITALS IN TANZANIA**

**CLIENT:**

**PRESIDENT'S OFFICE  
REGIONAL ADMINISTRATION  
LOCAL GOVERNMENT**

**MINISTRY OF HEALTH,  
COMMUNITY DEVELOPMENT,  
GENDER AND CHILDREN**

**DRAWING TITLE:  
GYNAECOLOGY WARD  
COLUMN DETAILS**

Designed by: Eng. R.A.M

Drawn by: ENG. A.NGATOMELA

Checked by: Eng. R.A.M

Approved by:

Date: **2018** Scale:

Drawing No. Sheet:

**GYN/STR.107**

- NOTE:**
- All dimensions are in mm unless otherwise specified
  - All discrepancies shall be referred to the structural engineer
  - Reinforced concrete shall be of grade 20 with  $f_{cu}=25N/mm^2$  at 28 days of age
  - Main reinforcements shall be high tensile steel with  $f_y = 460N/mm^2$
  - Nominal cover to the reinforcements:
    - Foundation 50mm
    - Column 25mm
    - Beam 25mm
    - Slab 25mm

**PROJECT:**

**PROPOSED STANDARD  
DRAWINGS FOR COUNCIL  
HOSPITALS IN TANZANIA**

**CLIENT:**

**PRESIDENT'S OFFICE  
REGIONAL ADMINISTRATION  
LOCAL GOVERNMENT  
  
MINISTRY OF HEALTH,  
COMMUNITY DEVELOPMENT,  
GENDER AND CHILDREN**

**DRAWING TITLE:  
GYNAECOLOGY WARD  
TRUSS LAYOUT**

Designed by: Eng. R.A.M

Drawn by: ENG. A. NGATOMELA

Checked by: Eng. R.A.M

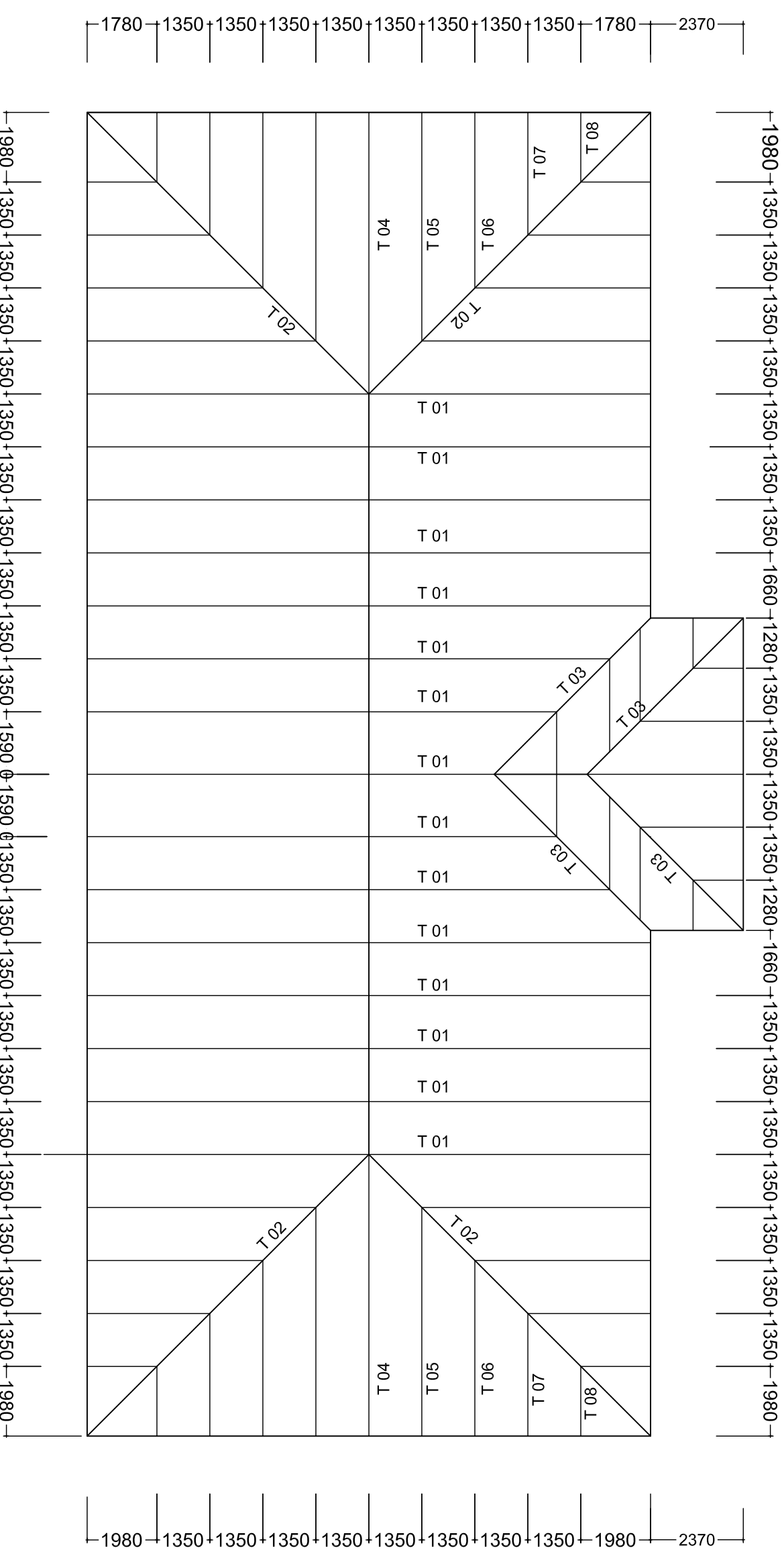
Approved by:

Date: **2018**

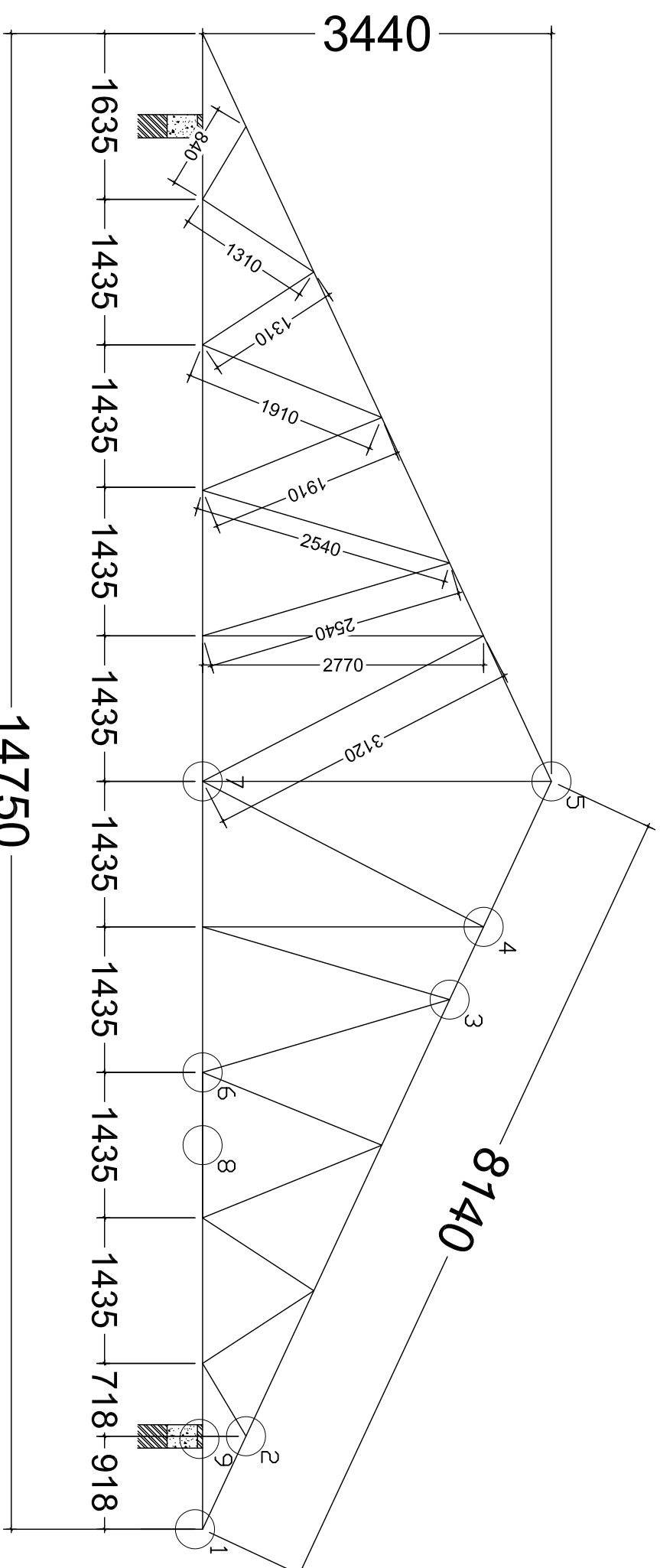
Drawing No.

**GYN/STR.108**

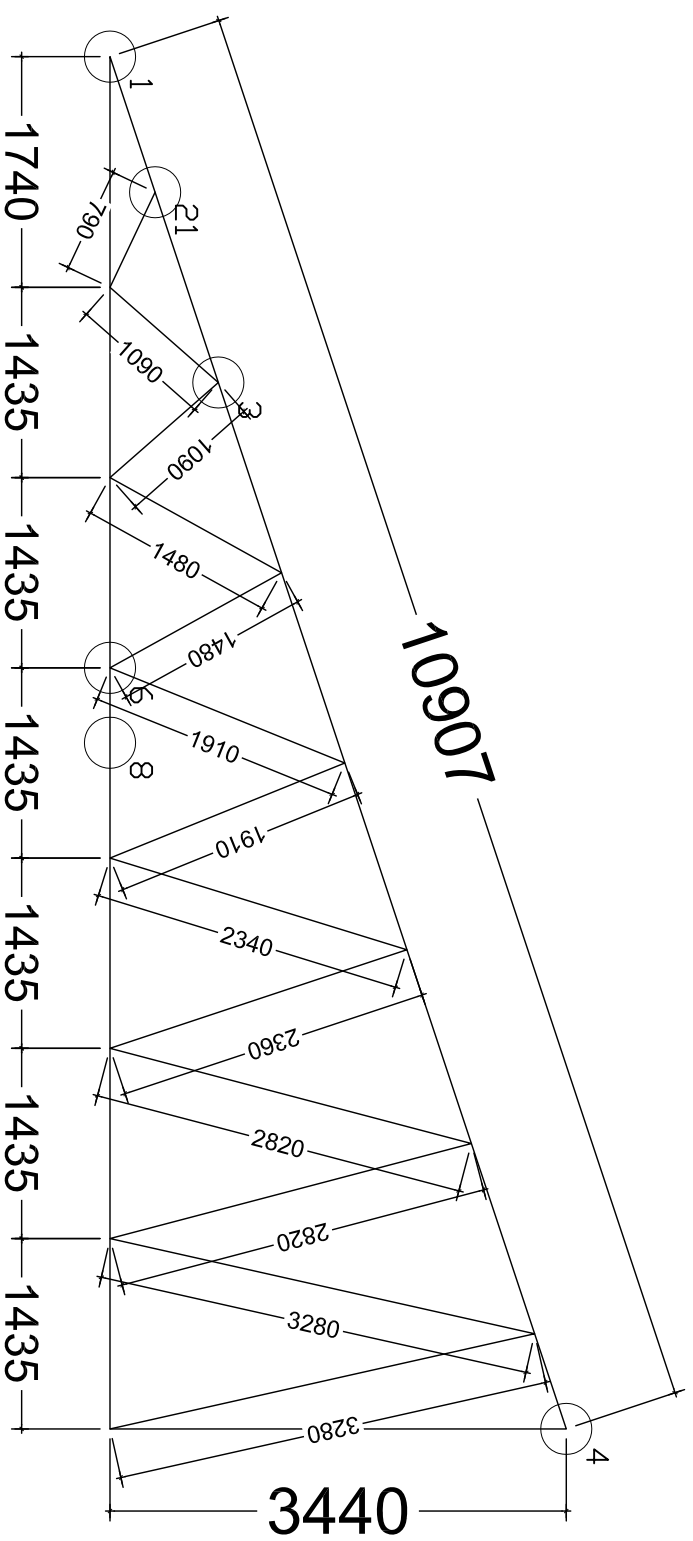
Sheet:







TYPICAL ROOF TRUSS T01



TYPICAL ROOF TRUSS T02

- NOTE:**
1. All dimensions are in mm unless otherwise specified
  2. All discrepancies shall be referred to the structural engineer
  3. Reinforced concrete shall be of grade 20 with  $f_{cu}=25N/mm^2$  at 28 days of age
  4. Main reinforcements shall be high tensile steel with  $f_y = 460N/mm^2$
  5. Nominal cover to the reinforcements:
    - a) Foundation 50mm
    - b) Column 25mm
    - c) Beam 25mm
    - d) Slab 25mm

PROJECT:

**PROPOSED STANDARD  
DRAWINGS FOR COUNCIL  
HOSPITALS IN TANZANIA**

CLIENT:

**PRESIDENT'S OFFICE  
REGIONAL ADMINISTRATION  
LOCAL GOVERNMENT**

**MINISTRY OF HEALTH,  
COMMUNITY DEVELOPMENT,  
GENDER AND CHILDREN**

**DRAWING TITLE:  
GYNAECOLOGY WARD  
TRUSS**

Designed by: Eng. R.A.M

Drawn by: ENG. A.NGATOMELA

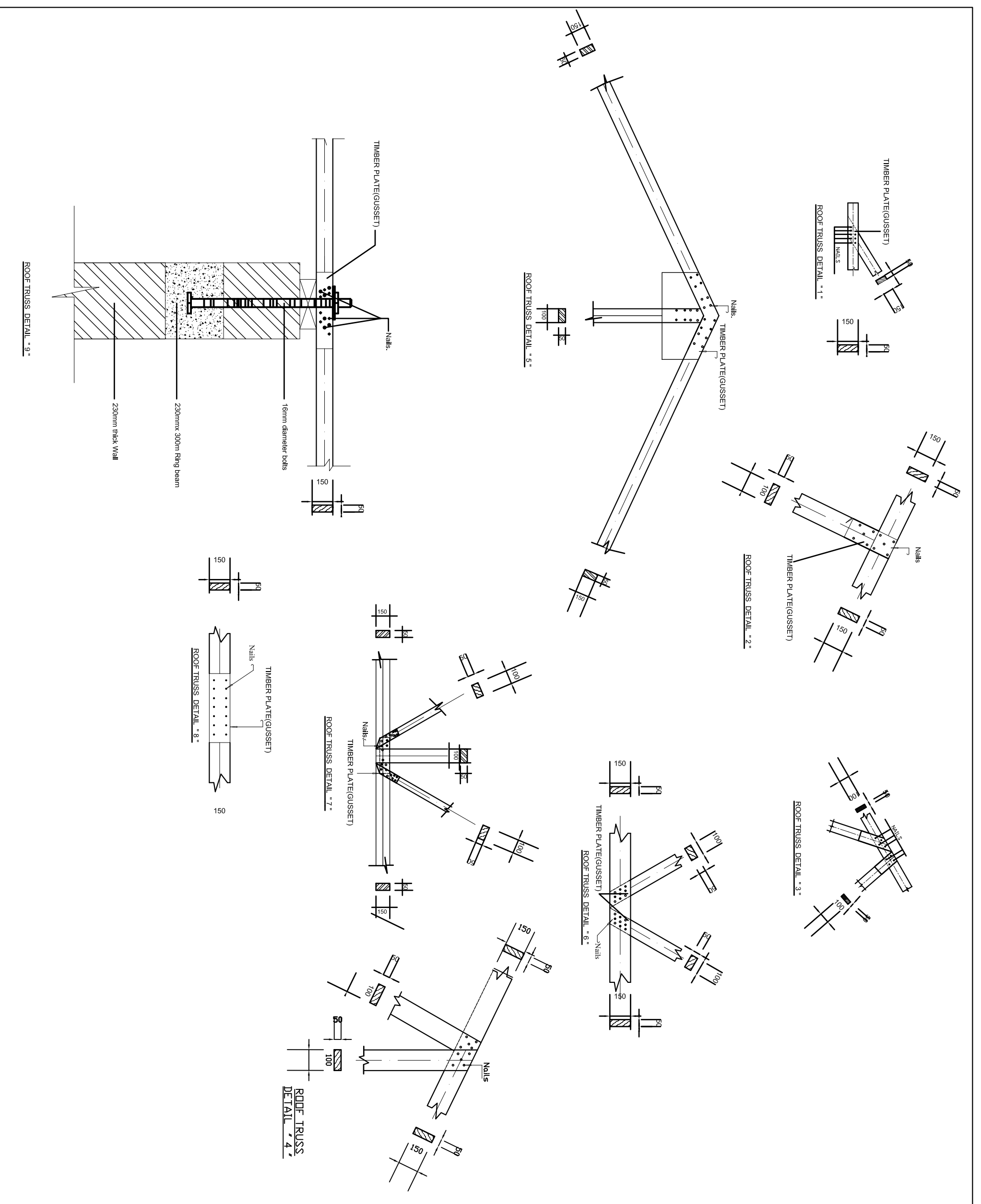
Checked by: Eng. R.A.M

Approved by:

Date: **2018** Scale:

Drawing No. Sheet:

**GYN/STR.109**



**NOTE:**

1. All dimensions are in mm unless otherwise specified
2. All discrepancies shall be referred to the structural engineer
3. Reinforced concrete shall be of grade 20 with  $f_{cu}=25N/mm^2$  at 28 days of age
4. Main reinforcements shall be high tensile steel with  $f_y = 460N/mm^2$
5. Nominal cover to the reinforcements:
  - a) Foundation 50mm
  - b) Column 25mm
  - c) Beam 25mm
  - d) Slab 25mm

**PROJECT:**

**PROPOSED STANDARD  
DRAWINGS FOR COUNCIL  
HOSPITALS IN TANZANIA**

**CLIENT:**

**PRESIDENT'S OFFICE  
REGIONAL ADMINISTRATION  
LOCAL GOVERNMENT**

**MINISTRY OF HEALTH,  
COMMUNITY DEVELOPMENT,  
GENDER AND CHILDREN**

**DRAWING TITLE:**

**SURGICAL & MEDICAL WARD  
TRUSS DETAILS & CONNECTION 01**

Designed by: Eng. R.A.M

Drawn by: ENG. A.NGATOMELA

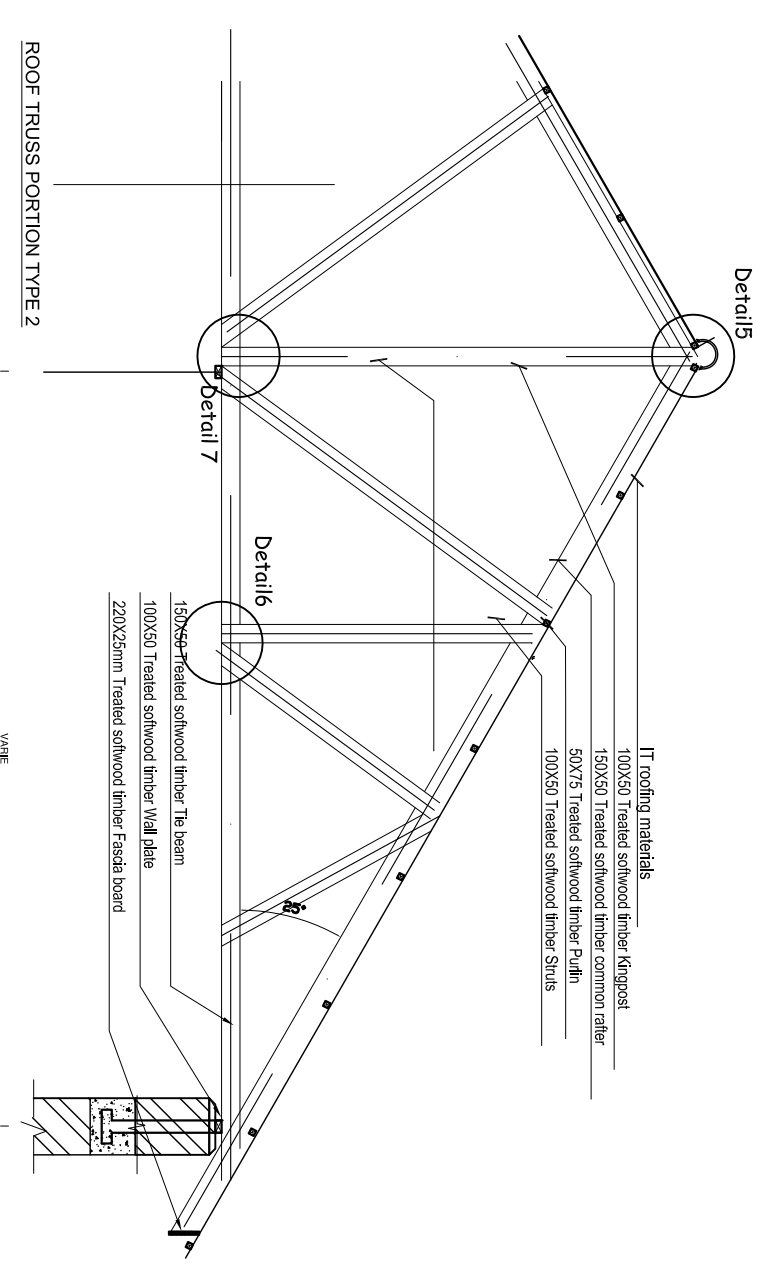
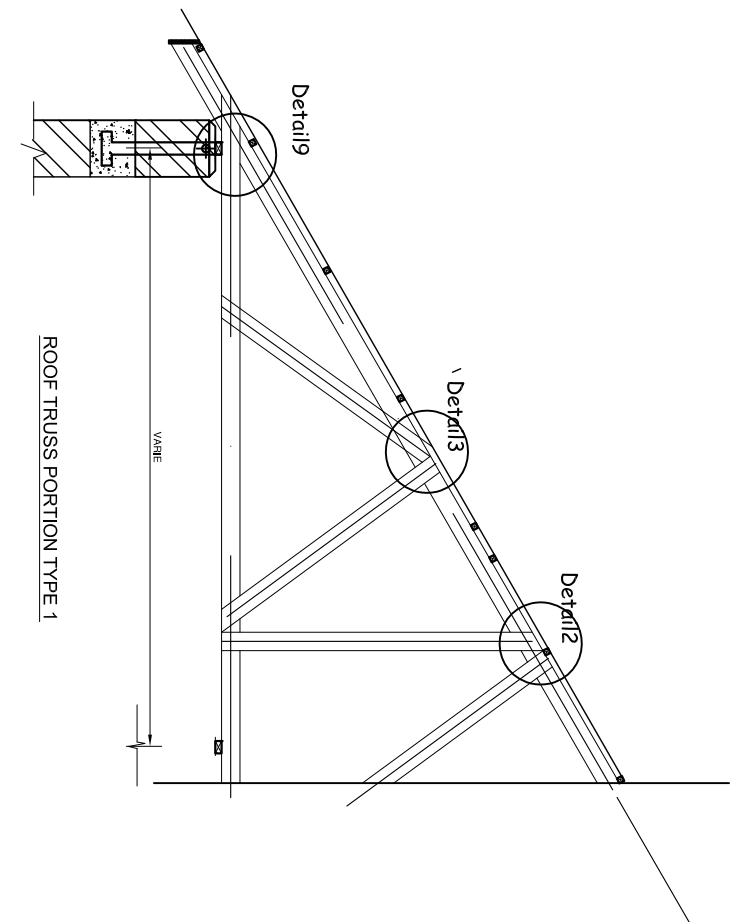
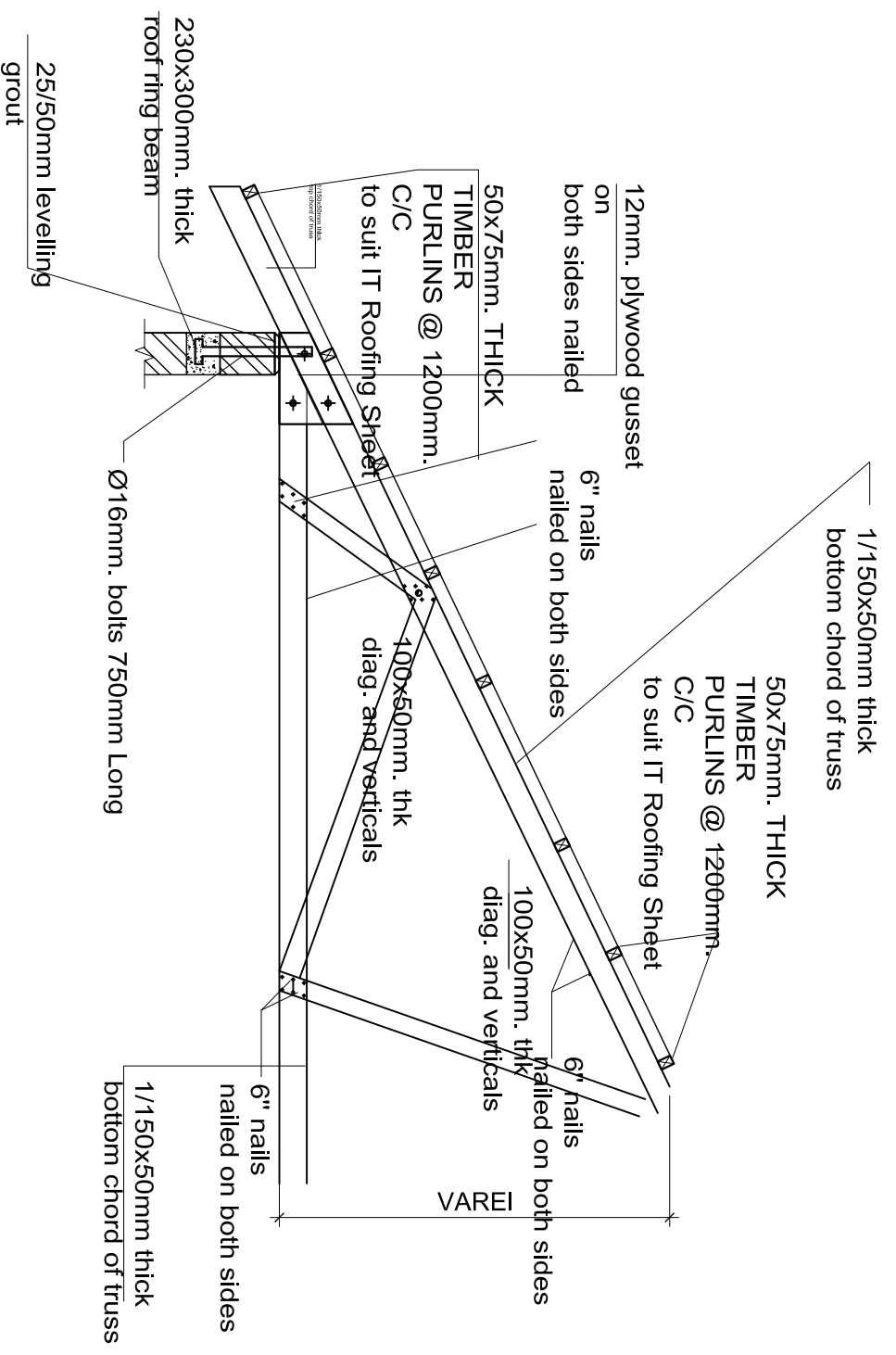
Checked by: Eng. R.A.M

Approved by:

Date: **2018** Scale:

Drawing No. Sheet:

**SMW/STR.110**



- NOTE:**
1. All dimensions are in mm unless otherwise specified
  2. All discrepancies shall be referred to the structural engineer
  3. Reinforced concrete shall be of grade 20 with  $f_{cu}=25N/mm^2$  at 28 days of age
  4. Main reinforcements shall be high tensile steel with  $f_y = 460N/mm^2$
  5. Nominal cover to the reinforcements:
    - a) Foundation 50mm
    - b) Column 25mm
    - c) Beam 25mm
    - d) Slab 25mm

**PROJECT:**  
**PROPOSED STANDARD DRAWINGS FOR COUNCIL HOSPITALS IN TANZANIA**

**CLIENT:**  
**PRESIDENT'S OFFICE REGIONAL ADMINISTRATION LOCAL GOVERNMENT**  
**MINISTRY OF HEALTH, COMMUNITY DEVELOPMENT, GENDER AND CHILDREN**

<b>DRAWING TITLE:</b> <b>SURGICAL &amp; MEDICAL WARD TRUSS DETAILS &amp; CONNECTION 02</b>	
Designed by:	Eng. R.A.M
Drawn by:	ENG. A. NGATOMELA
Checked by:	Eng. R.A.M
Approved by:	
Date:	2018
Scale:	
Drawing No.	Sheet:
<b>SMW/STR.111</b>	