

- NOTE:**
1. All dimensions are in mm unless otherwise specified
 2. All discrepancies shall be referred to the structural engineer
 3. Reinforced concrete shall be of grade 20 with $f_{cu}=25N/mm^2$ at 28 days of age
 4. Main reinforcements shall be high tensile steel with $f_y = 460N/mm^2$
 5. Nominal cover to the reinforcements:
 - a) Foundation 50mm
 - b) Column 25mm
 - c) Beam 25mm
 - d) Slab 25mm

PROJECT:
**PROPOSED STANDARD
 DRAWINGS FOR COUNCIL
 HOSPITALS IN TANZANIA**

CLIENT: PRESIDENT'S OFFICE
 REGIONAL ADMINISTRATION
 LOCAL GOVERNMENT

MINISTRY OF HEALTH,
 COMMUNITY DEVELOPMENT,
 GENDER AND CHILDREN

DRAWING TITLE:
**VACCINE STORE
 FOUNDATION LAYOUT**

Designed by: Eng. R.A.M

Drawn by: Eng. R.A.M

Checked by: Eng. A. NGATOMELA

Approved by:

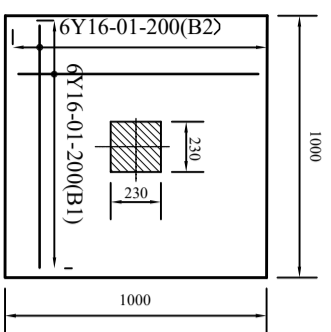
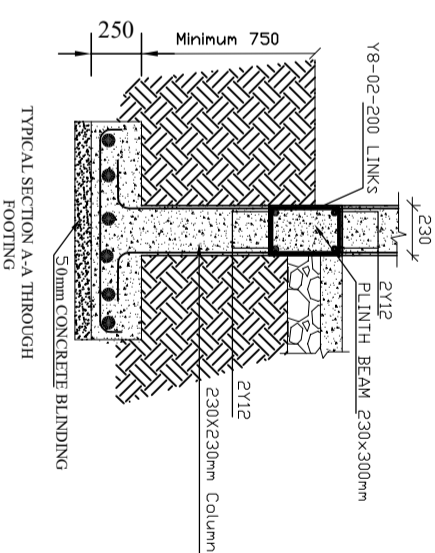
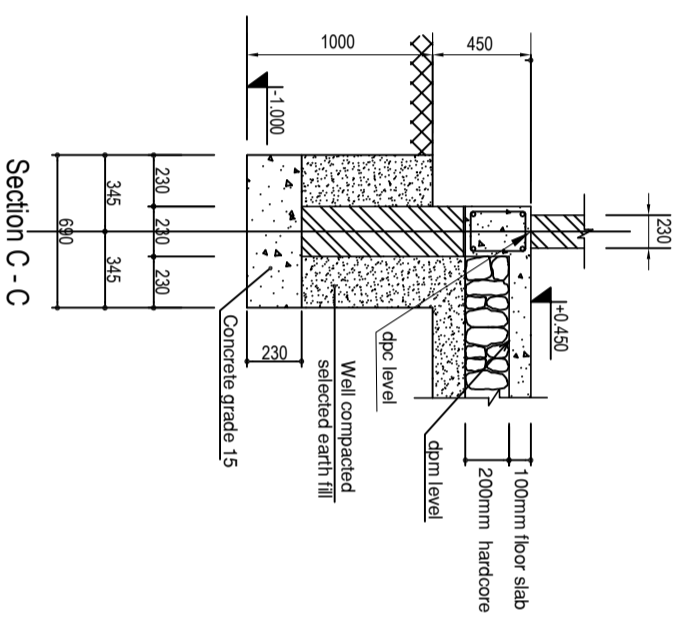
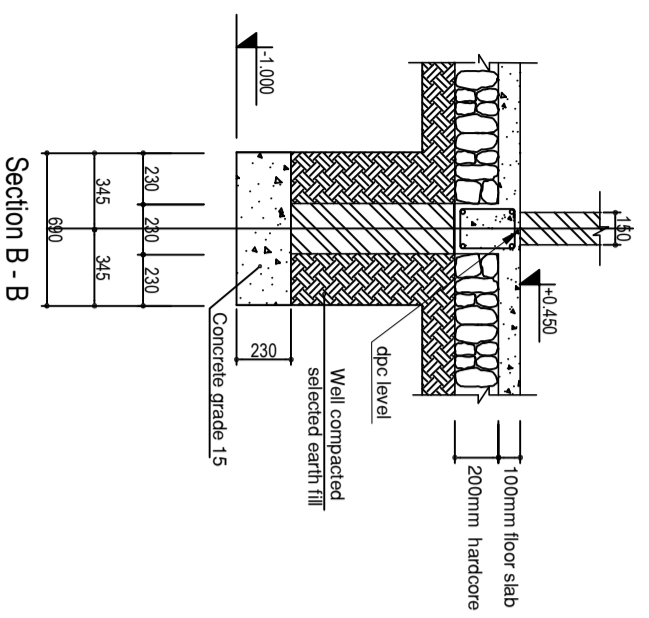
Date: **2018**

Scale:

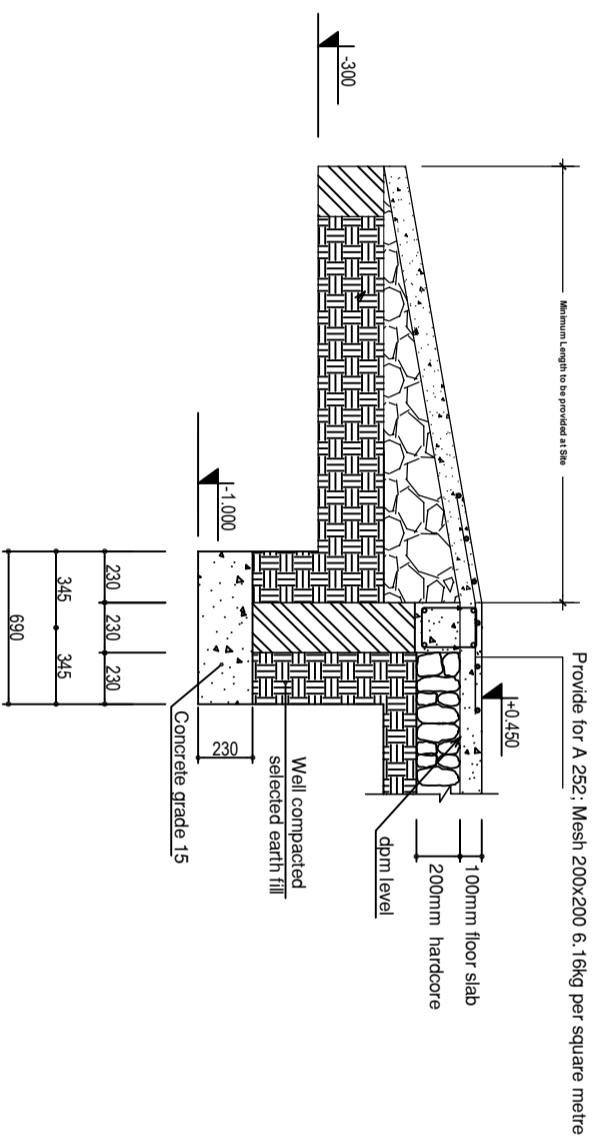
Drawing No.

Sheet:

VAC/S.101



COLLAR FOOTING F1 - 4Nos
1000x1000x250mm



Provide for A 252: Mesh 200x200 6.16kg per square metre

Minimum Length to be provided at site

Typical Section D-D Ramp Details

NOTE:

1. All dimensions are in mm unless otherwise specified
2. All discrepancies shall be referred to the structural engineer
3. Reinforced concrete shall be of grade 25 with $f_{cu}=25N/mm^2$ at 28 days of age
4. Main reinforcements shall be high tensile steel with $f_y = 460N/mm^2$
5. Nominal cover to the reinforcements:
 - a) Foundation 50mm
 - b) Column 25mm
 - c) Beam 25mm
 - d) Slab 25mm

PROJECT:

PROPOSED STANDARD DRAWINGS FOR COUNCIL HOSPITALS IN TANZANIA

CLIENT:

**PRESIDENT'S OFFICE
REGIONAL ADMINISTRATION
LOCAL GOVERNMENT**

**MINISTRY OF
HEALTH, COMMUNITY
DEVELOPMENT, GENDER,
ELDERLY AND CHILDREN**

DRAWING TITLE:

**VACCINE STORE
FOUNDATION DETAILS**

Designed by: Eng. R.A.M

Drawn by: Eng. R.A.M

Checked by: ENG. A. NGATOMELA

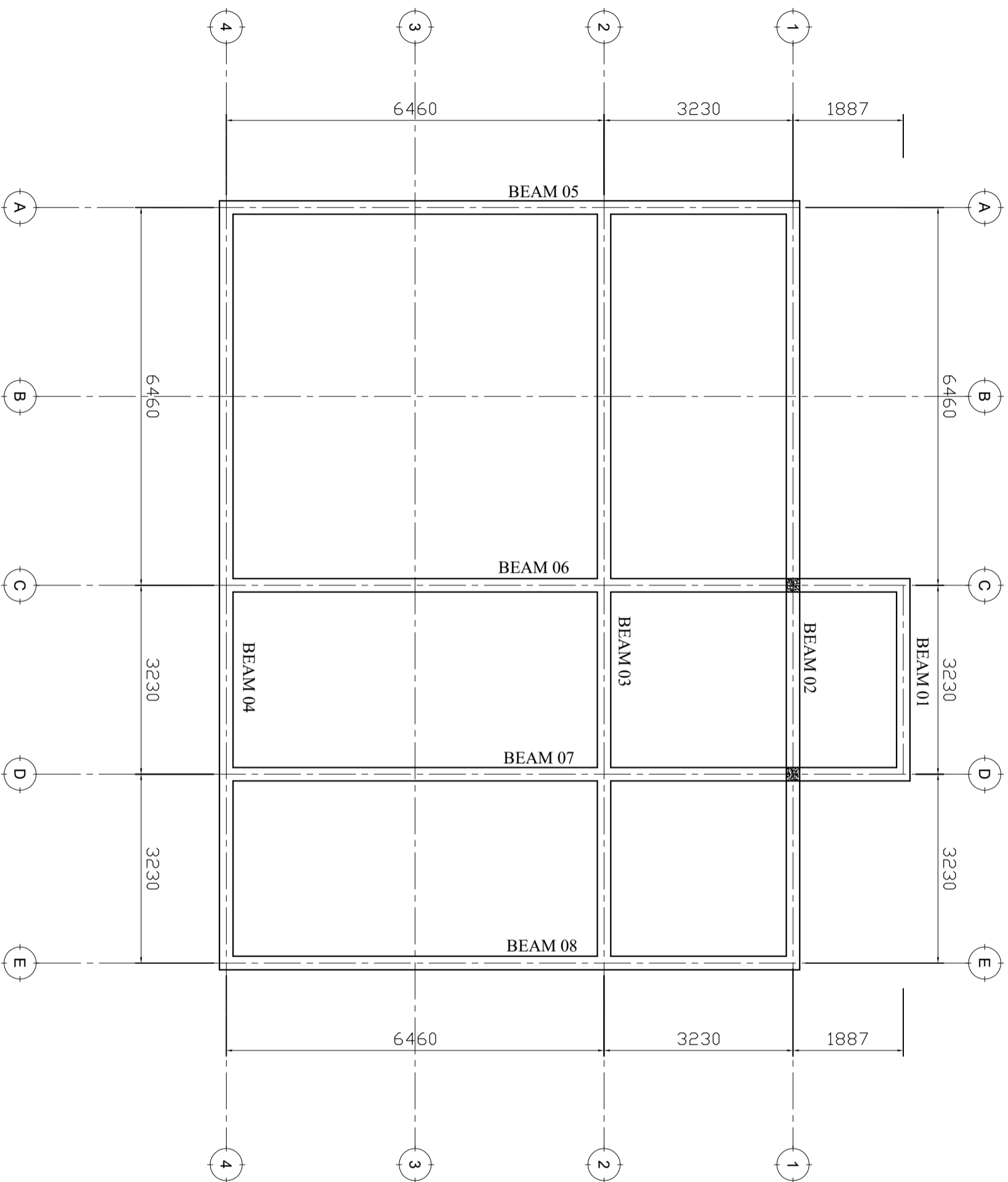
Approved by:

Date: 2018

Scale:

Drawing No. VACS,102

Sheet:



- NOTE:**
1. All dimensions are in mm unless otherwise specified
 2. All discrepancies shall be referred to the structural engineer
 3. Reinforced concrete shall be of grade 25 with $f_{cu}=25N/mm^2$ at 28 days of age
 4. Main reinforcements shall be high tensile steel with $f_y = 460N/mm^2$
 5. Nominal cover to the reinforcements:
 - a) Foundation 50mm
 - b) Column 25mm
 - c) Beam 25mm
 - d) Slab 25mm

PROJECT:
PROPOSED STANDARD DRAWINGS FOR COUNCIL HOSPITALS IN TANZANIA

CLIENT:
 PRESIDENT'S OFFICE
 REGIONAL ADMINISTRATION
 LOCAL GOVERNMENT

MINISTRY OF
 HEALTH, COMMUNITY
 DEVELOPMENT, GENDER,
 ELDERLY AND CHILDREN

DRAWING TITLE:
VACCINE STORE PLINTH BEAM

Designed by: Eng. R.A.M

Drawn by: Eng. R.A.M

Checked by: ENG. ANGATOMELA

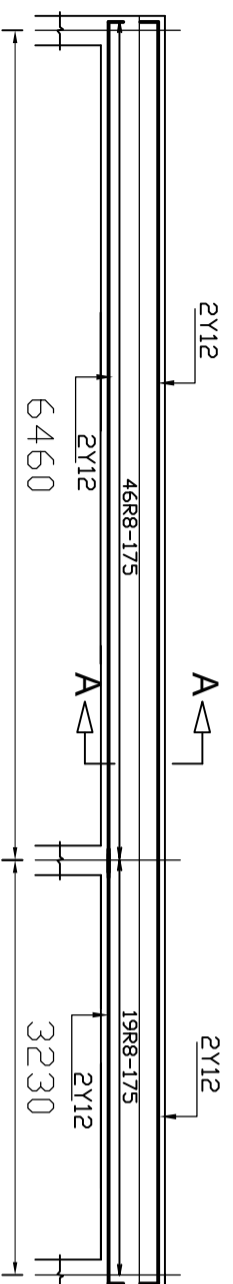
Approved by:

Date: **2018**

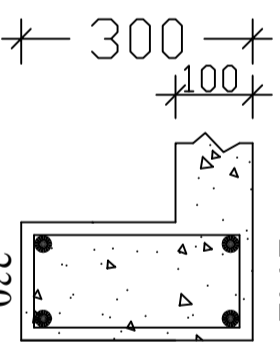
Scale:

Drawing No. **VACS,103**

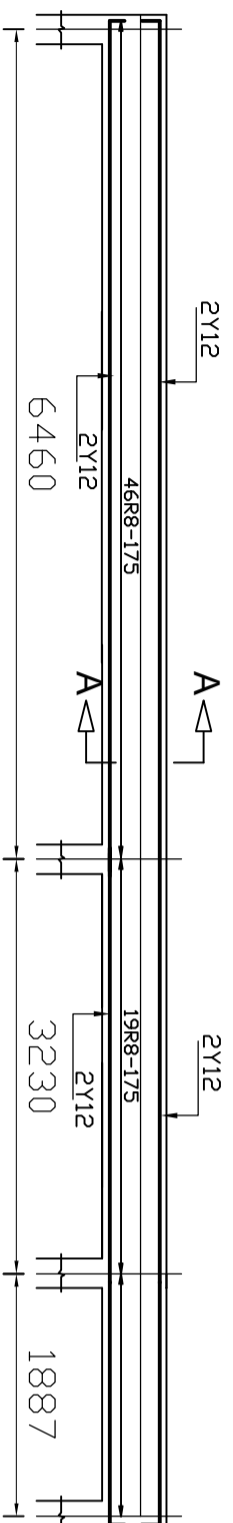
Sheet:



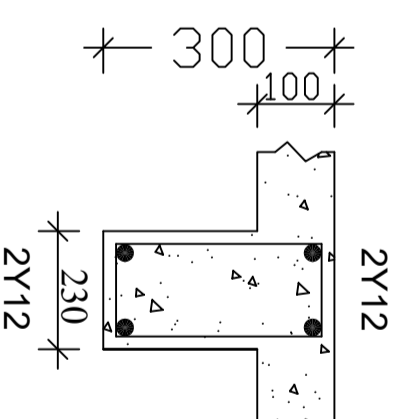
BEAM 05 230x300mm USE FOR
EXTERNAL WALLS



SECTION A-A



BEAM 06 230x300mm USE FOR
INTERNAL WALLS



SECTION B-B

NOTE:

1. All dimensions are in mm unless otherwise specified
2. All discrepancies shall be referred to the structural engineer
3. Reinforced concrete shall be of grade 25 with $f_{cu}=25N/mm^2$ at 28 days of age
4. Main reinforcements shall be high tensile steel with $f_y = 460N/mm^2$
5. Nominal cover to the reinforcements:
 - a) Foundation 50mm
 - b) Column 25mm
 - c) Beam 25mm
 - d) Slab 25mm

PROJECT:

**PROPOSED STANDARD
DRAWINGS FOR COUNCIL
HOSPITALS IN TANZANIA**

CLIENT:

**PRESIDENT'S OFFICE
REGIONAL ADMINISTRATION
LOCAL GOVERNMENT**

**MINISTRY OF
HEALTH, COMMUNITY
DEVELOPMENT, GENDER,
ELDERLY AND CHILDREN**

**DRAWING TITLE:
VACCINE STORE PLINTH
BEAM DETAILS**

Designed by: Eng. R.A.M

Drawn by: Eng. R.A.M

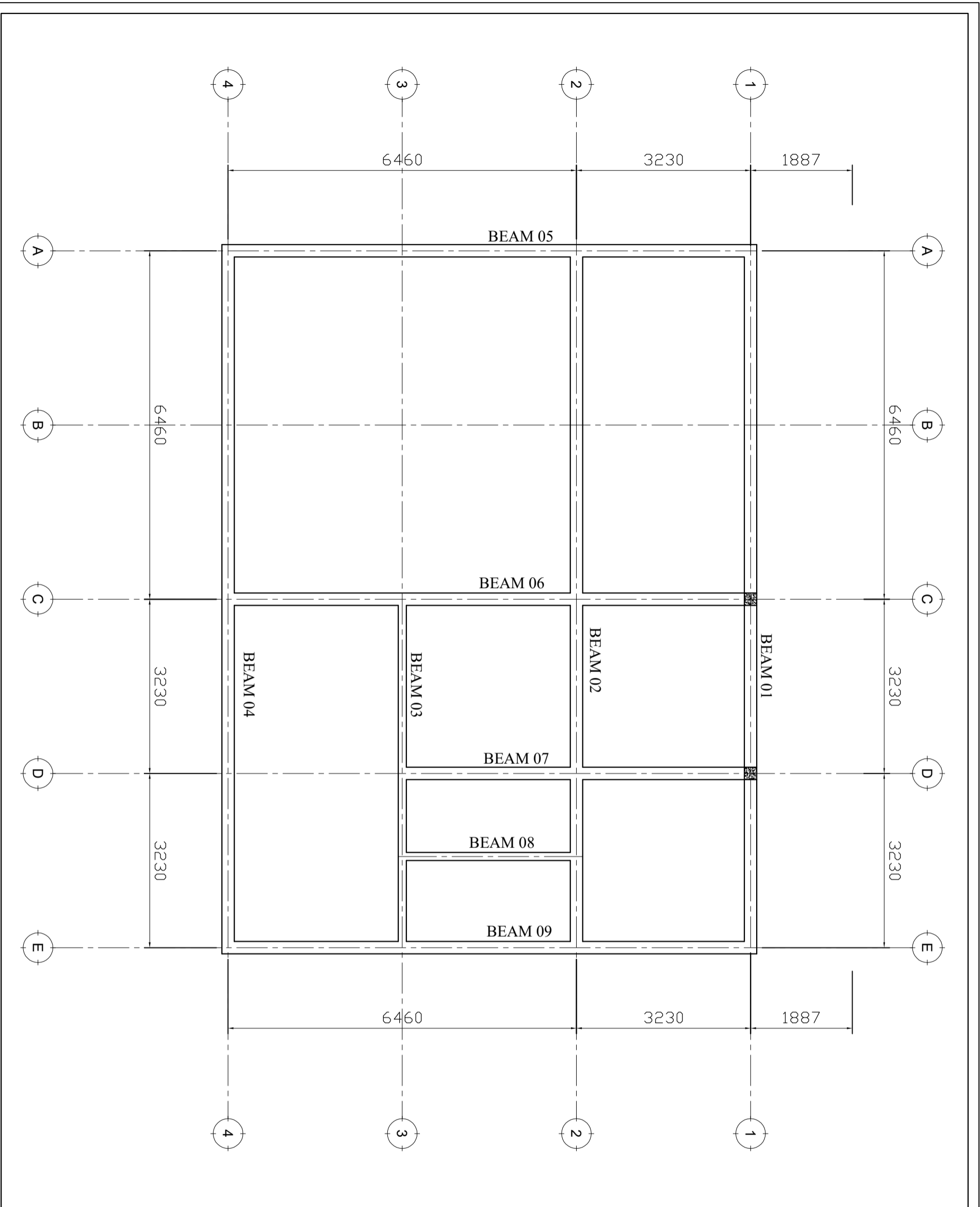
Checked by: ENG. A.NGATOMELA

Approved by:

Date: **2018** Scale:

Drawing No. Sheet:

VAC/S.104



NOTE:

1. All dimensions are in mm unless otherwise specified
2. All discrepancies shall be referred to the structural engineer
3. Reinforced concrete shall be of grade 25 with $f_{cu}=25N/mm^2$ at 28 days of age
4. Main reinforcements shall be high tensile steel with $f_y = 460N/mm^2$
5. Nominal cover to the reinforcements:
 - a) Foundation 50mm
 - b) Column 25mm
 - c) Beam 25mm
 - d) Slab 25mm

PROJECT:

PROPOSED STANDARD DRAWINGS FOR COUNCIL HOSPITALS IN TANZANIA

CLIENT:

**PRESIDENT'S OFFICE
REGIONAL ADMINISTRATION
LOCAL GOVERNMENT**

**MINISTRY OF
HEALTH, COMMUNITY
DEVELOPMENT, GENDER,
ELDERLY AND CHILDREN**

DRAWING TITLE:

**VACCINE STORE
RINGBEAM LAYOUT**

Designed by: Eng. R.A.M

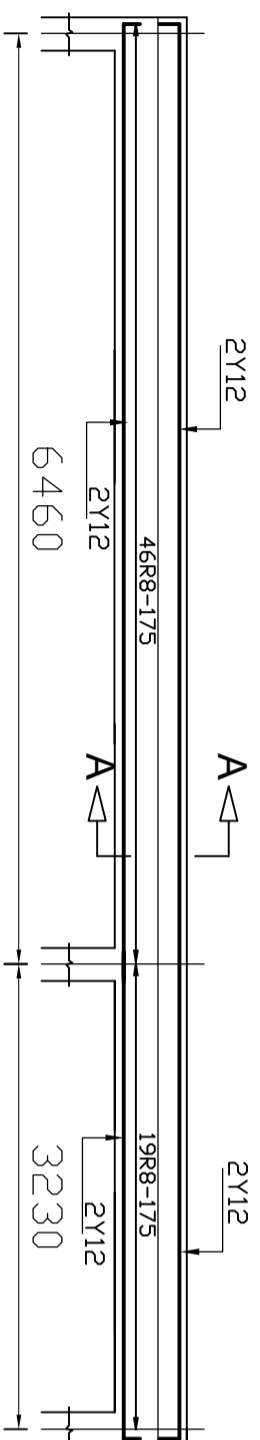
Drawn by: Eng. R.A.M

Checked by: ENG. A.NGATOMELA

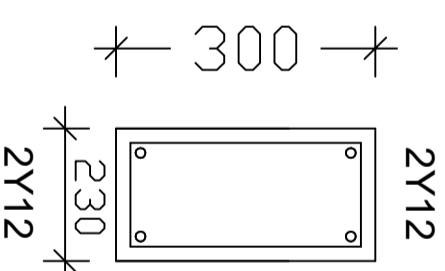
Approved by:

Date: **2018** Scale:

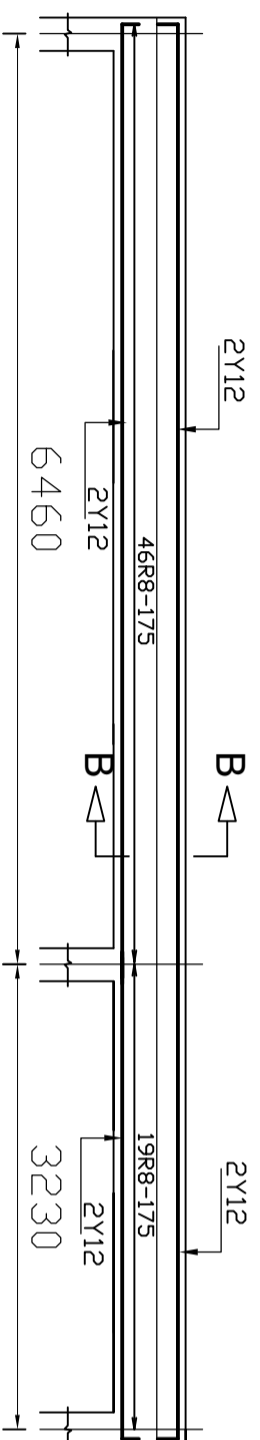
Drawing No. **VAC/S. 105** Sheet:



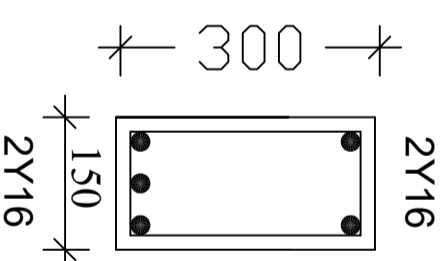
BEAM 05 230x300mm USE FOR
EXTERNAL WALLS



SECTION A-A



BEAM 06 150x300mm USE FOR
INTERNAL WALLS



SECTION B-B

NOTE:

1. All dimensions are in mm unless otherwise specified
2. All discrepancies shall be referred to the structural engineer
3. Reinforced concrete shall be of grade 25 with $f_{cu}=25N/mm^2$ at 28 days of age
4. Main reinforcements shall be high tensile steel with $f_y = 460N/mm^2$
5. Nominal cover to the reinforcements:
 - a) Foundation 50mm
 - b) Column 25mm
 - c) Beam 25mm
 - d) Slab 25mm

PROJECT:

**PROPOSED STANDARD
DRAWINGS FOR COUNCIL
HOSPITALS IN TANZANIA**

CLIENT:

**PRESIDENT'S OFFICE
REGIONAL ADMINISTRATION
LOCAL GOVERNMENT**

**MINISTRY OF
HEALTH, COMMUNITY
DEVELOPMENT, GENDER,
ELDERLY AND CHILDREN**

DRAWING TITLE:

**VACCINE STORE RING
BEAM DETAILS**

Designed by: Eng. R.A.M

Drawn by: Eng. R.A.M

Checked by: ENG. A. NGATOMELA

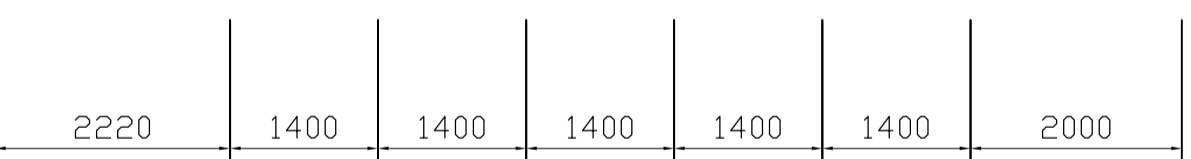
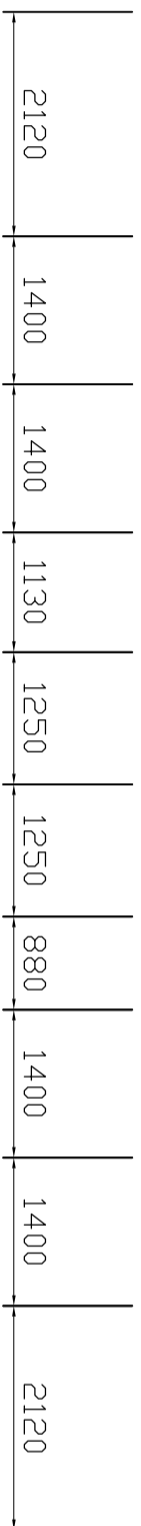
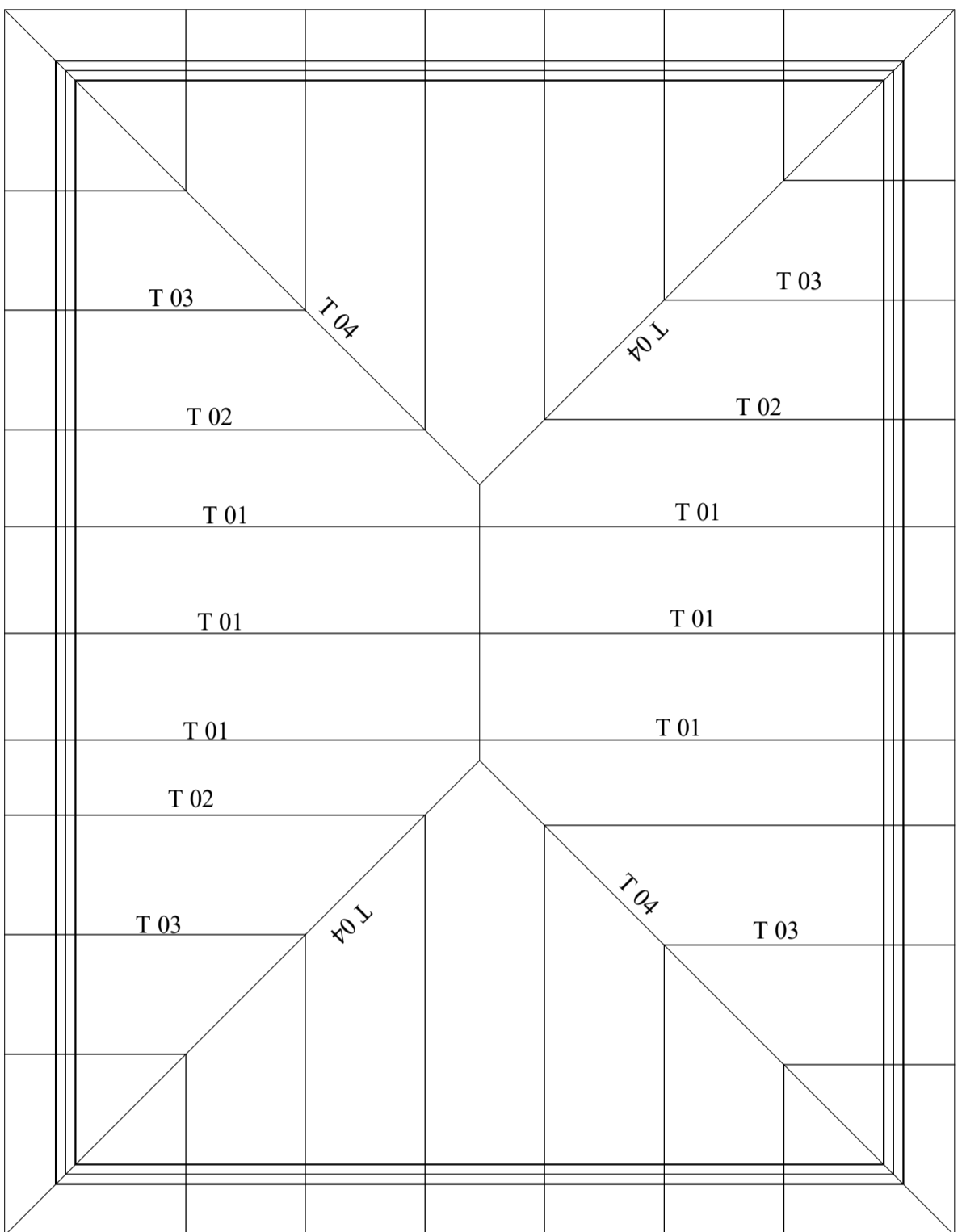
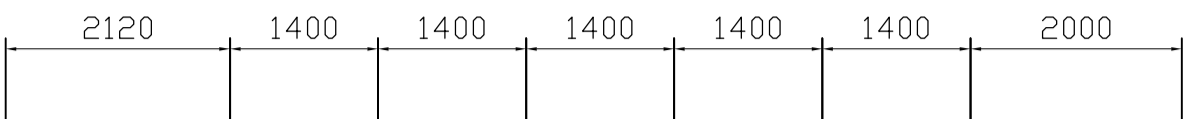
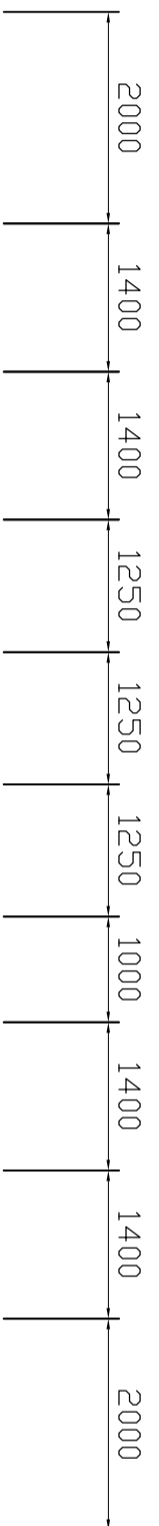
Approved by:

Date: **2018**

Scale:

Drawing No. **VAC/S.106**

Sheet:



NOTE:

1. All dimensions are in mm unless otherwise specified
2. All discrepancies shall be referred to the structural engineer
3. Reinforced concrete shall be of grade 25 with $f_{cu}=25N/mm^2$ at 28 days of age
4. Main reinforcements shall be high tensile steel with $f_y = 460N/mm^2$
5. Nominal cover to the reinforcements:
 - a) Foundation 50mm
 - b) Column 25mm
 - c) Beam 25mm
 - d) Slab 25mm

PROJECT:

PROPOSED STANDARD DRAWINGS FOR COUNCIL HOSPITALS IN TANZANIA

CLIENT:

**PRESIDENT'S OFFICE
REGIONAL ADMINISTRATION
LOCAL GOVERNMENT**

**MINISTRY OF
HEALTH, COMMUNITY
DEVELOPMENT, GENDER,
ELDERLY AND CHILDREN**

**DRAWING TITLE:
VACCINE STORE TRUSS
LAYOUT**

Designed by: Eng. R.A.M

Drawn by: Eng. R.A.M

Checked by: ENG. ANGATOMELA

Approved by:

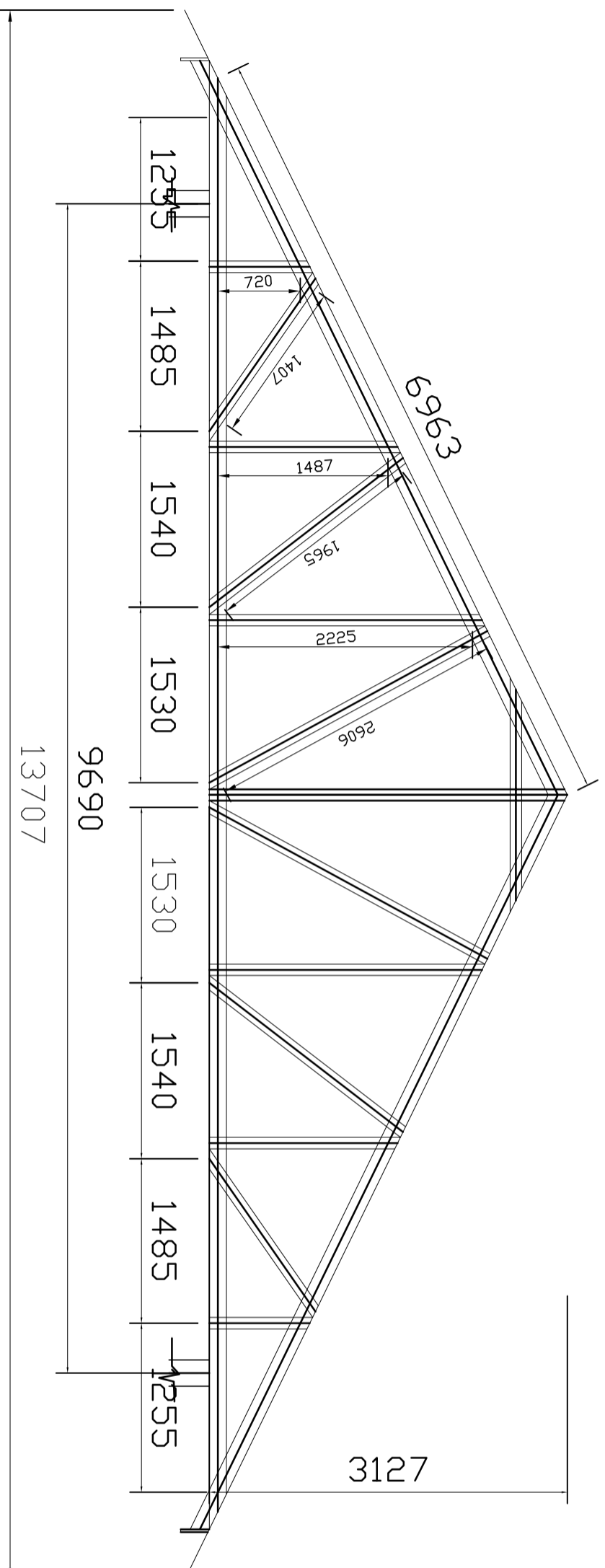
Date: **2018**

Scale:

Drawing No.

VAC/S.107

Sheet:



NOTE:

1. All dimensions are in mm unless otherwise specified
2. All discrepancies shall be referred to the structural engineer
3. Reinforced concrete shall be of grade 25 with $f_{cu}=25N/mm^2$ at 28 days of age
4. Main reinforcements shall be high tensile steel with $f_y = 460N/mm^2$
5. Nominal cover to the reinforcements:
 - a) Foundation 50mm
 - b) Column 25mm
 - c) Beam 25mm
 - d) Slab 25mm

PROJECT:

PROPOSED STANDARD DRAWINGS FOR COUNCIL HOSPITALS IN TANZANIA

CLIENT:

**PRESIDENT'S OFFICE
REGIONAL ADMINISTRATION
LOCAL GOVERNMENT**

**MINISTRY OF
HEALTH, COMMUNITY
DEVELOPMENT, GENDER,
ELDERLY AND CHILDREN**

DRAWING TITLE:

**VACCINE STORE TRUSS
DETAILS**

Designed by: Eng. R.A.M

Drawn by: Eng. R.A.M

Checked by: ENG. A.NGATOMELA

Approved by:

Date: **2018**

Scale:

Drawing No.

VAC/S.108

Sheet:

- NOTE:**
1. All dimensions are in mm unless otherwise specified
 2. All discrepancies shall be referred to the structural engineer
 3. Reinforced concrete shall be of grade 25 with $f_{cu}=25N/mm^2$ at 28 days of age
 4. Main reinforcements shall be high tensile steel with $f_y = 460N/mm^2$
 5. Nominal cover to the reinforcements:
 - a) Foundation 50mm
 - b) Column 25mm
 - c) Beam 25mm
 - d) Slab 25mm

PROJECT:

PROPOSED STANDARD DRAWINGS FOR COUNCIL HOSPITALS IN TANZANIA

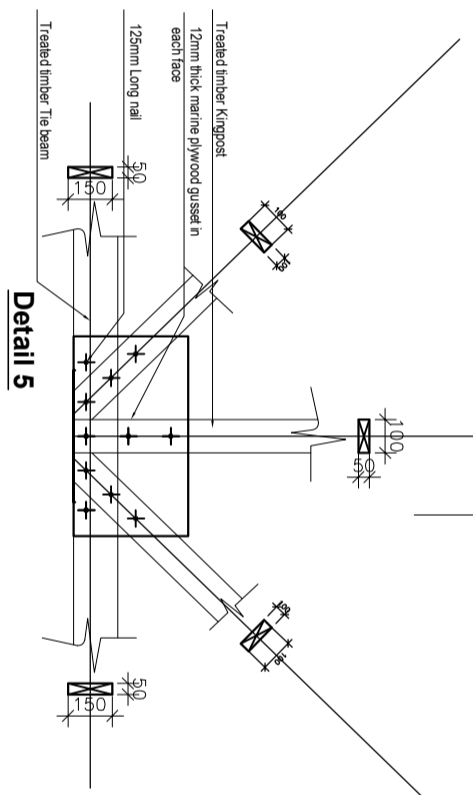
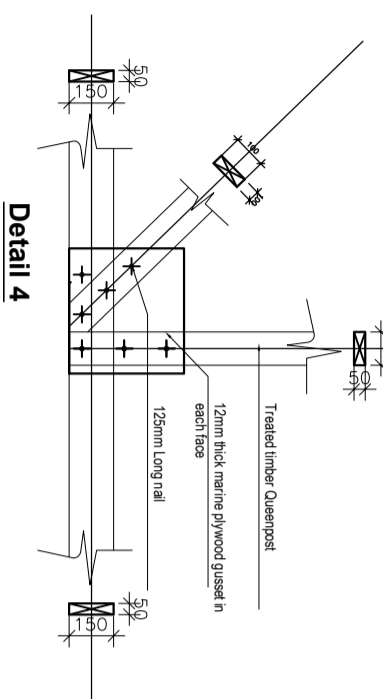
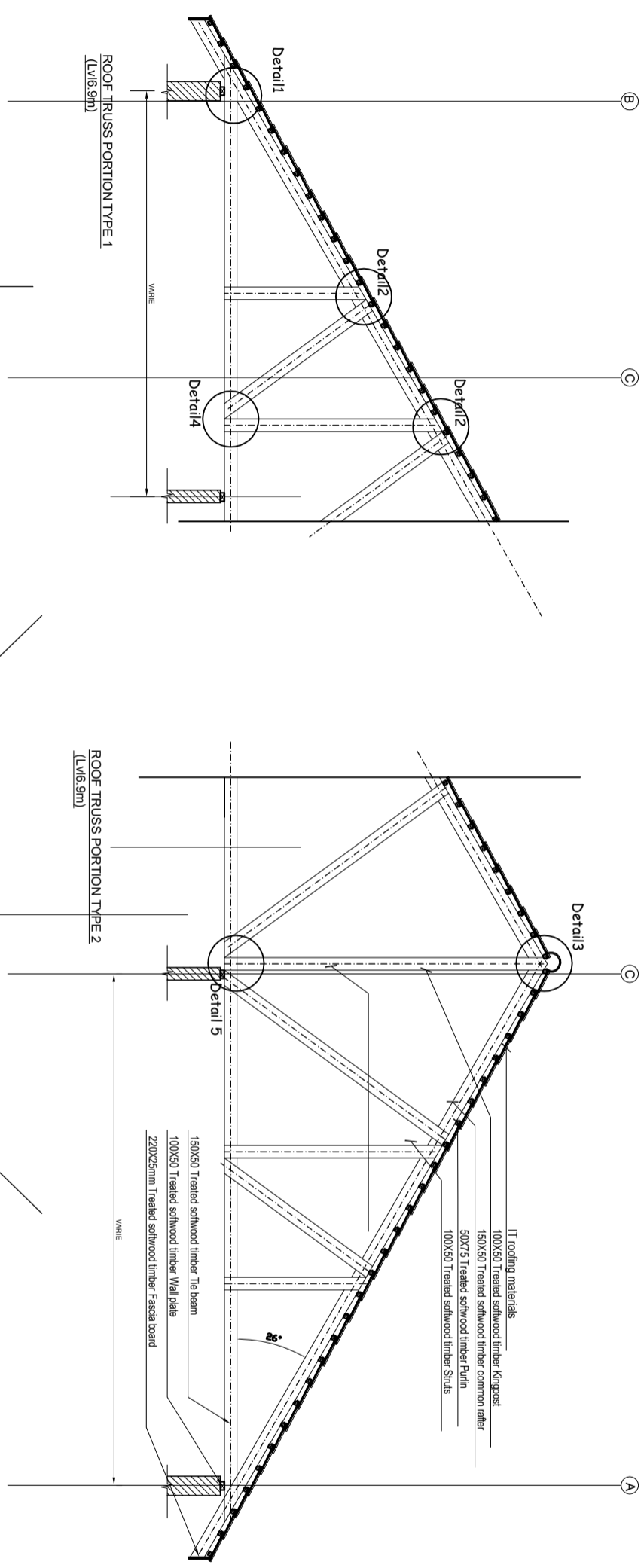
CLIENT:

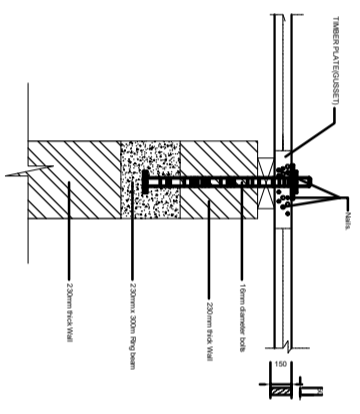
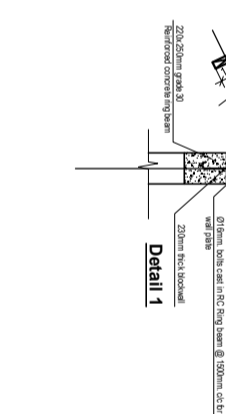
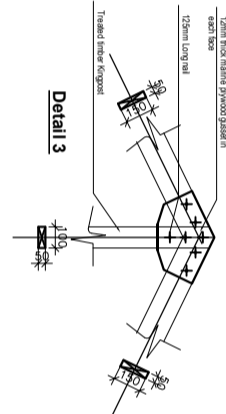
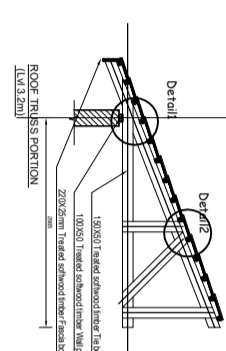
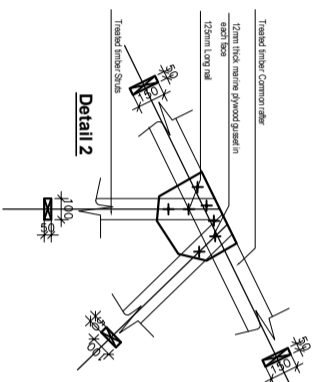
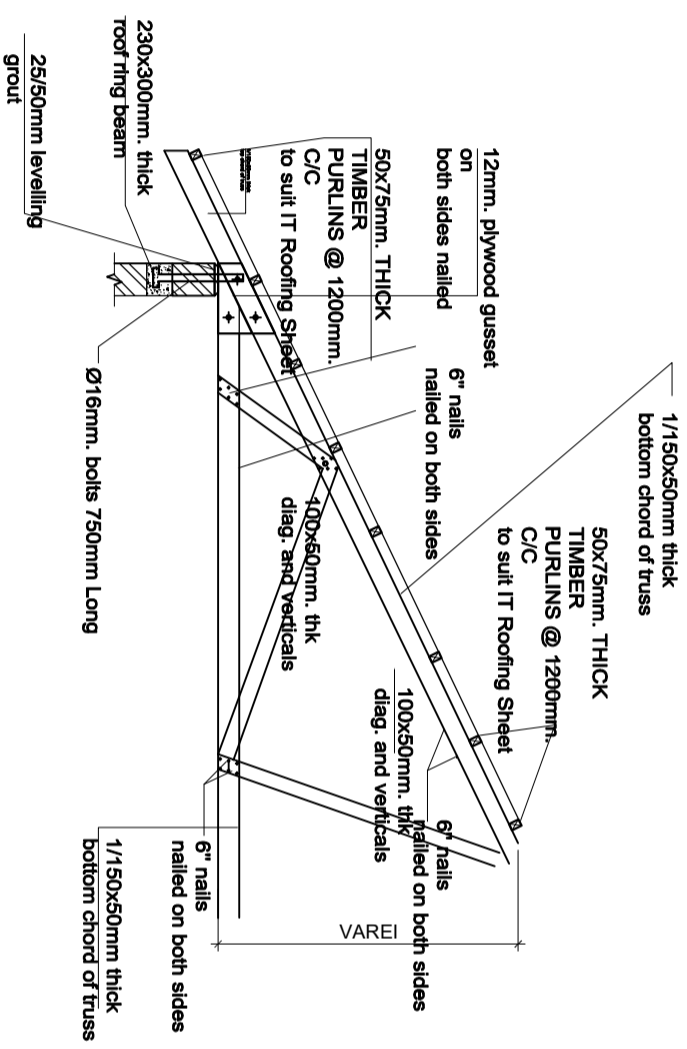
**PRESIDENT'S OFFICE
REGIONAL ADMINISTRATION
LOCAL GOVERNMENT**

**MINISTRY OF
HEALTH, COMMUNITY
DEVELOPMENT, GENDER,
ELDERLY AND CHILDREN**

**DRAWING TITLE:
VACCINE STORE TRUSS DETAILS &
CONNECTIONS**

Designed by:	Eng. R.A.M
Drawn by:	Eng. R.A.M
Checked by:	ENG. A.NGATOMELA
Approved by:	
Date:	2018
Scale:	
Drawing No.	VAC/S.109
Sheet:	





NOTE:

1. All dimensions are in mm unless otherwise specified
2. All discrepancies shall be referred to the structural engineer
3. Reinforced concrete shall be of grade 25 with $f_{cu}=25N/mm^2$ at 28 days of age
4. Main reinforcements shall be high tensile steel with $f_y = 460N/mm^2$
5. Nominal cover to the reinforcements:
 - a) Foundation 50mm
 - b) Column 25mm
 - c) Beam 25mm
 - d) Slab 25mm

PROJECT:

PROPOSED STANDARD DRAWINGS FOR COUNCIL HOSPITALS IN TANZANIA

CLIENT:

**PRESIDENT'S OFFICE
REGIONAL ADMINISTRATION
LOCAL GOVERNMENT**

**MINISTRY OF
HEALTH, COMMUNITY
DEVELOPMENT, GENDER,
ELDERLY AND CHILDREN**

**DRAWING TITLE:
VACCINE STORE TRUSS DETAILS &
CONNECTIONS**

Designed by:	Eng. R.A.M
Drawn by:	Eng. R.A.M
Checked by:	ENG. A.NGATOMELA
Approved by:	
Date:	2018
Scale:	
Drawing No.	VAC/S.110
Sheet:	