

FOUNDATION LAYOUT

NOTE:

1. All dimensions are in mm unless otherwise specified
2. All discrepancies shall be referred to the structural engineer
3. Reinforced concrete shall be of grade 20 with $f_{cu}=25N/mm^2$ at 28 days of age
4. Main reinforcements shall be high tensile steel with $f_y = 460N/mm^2$
5. Nominal cover to the reinforcements:
 - a) Foundation 50mm
 - b) Column 25mm
 - c) Beam 25mm
 - d) Slab 25mm

PROJECT:
**PROPOSED STANDARD
 DRAWINGS FOR COUNCIL
 HOSPITALS IN TANZANIA**

CLIENT:
**PRESIDENT'S OFFICE
 REGIONAL ADMINISTRATION
 LOCAL GOVERNMENT**

**MINISTRY OF HEALTH,
 COMMUNITY DEVELOPMENT,
 GENDER AND CHILDREN**

DRAWING TITLE:
**PHARMACY FOUNDATION
 LAYOUT**

Designed by: Eng. R.A.M

Drawn by: Eng. R.A.M

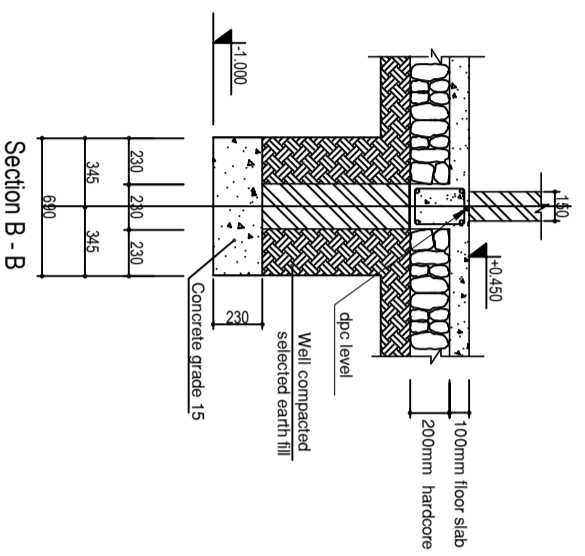
Checked by: Eng. A. NGATOMELA

Approved by:

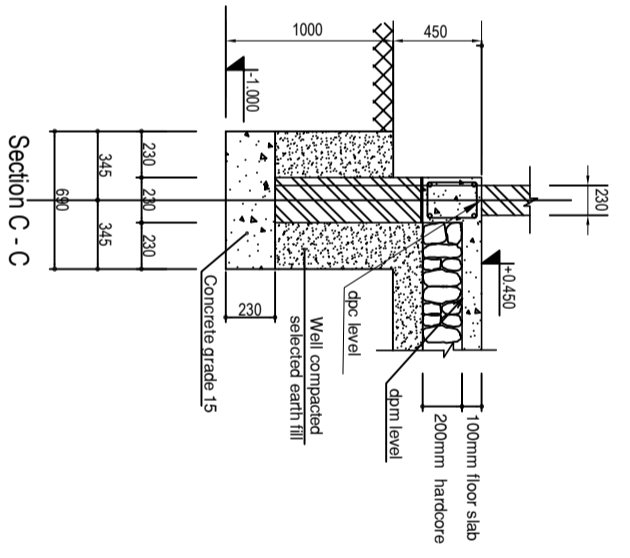
Date: 2018 Scale:

Drawing No. Sheet:

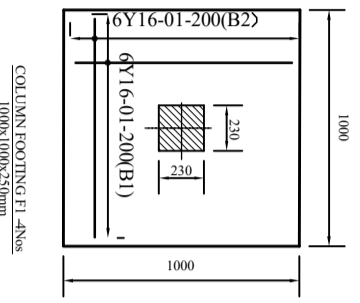
PHM/S.101



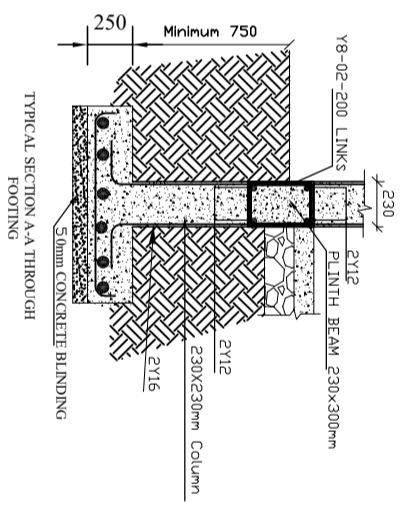
Section B - B



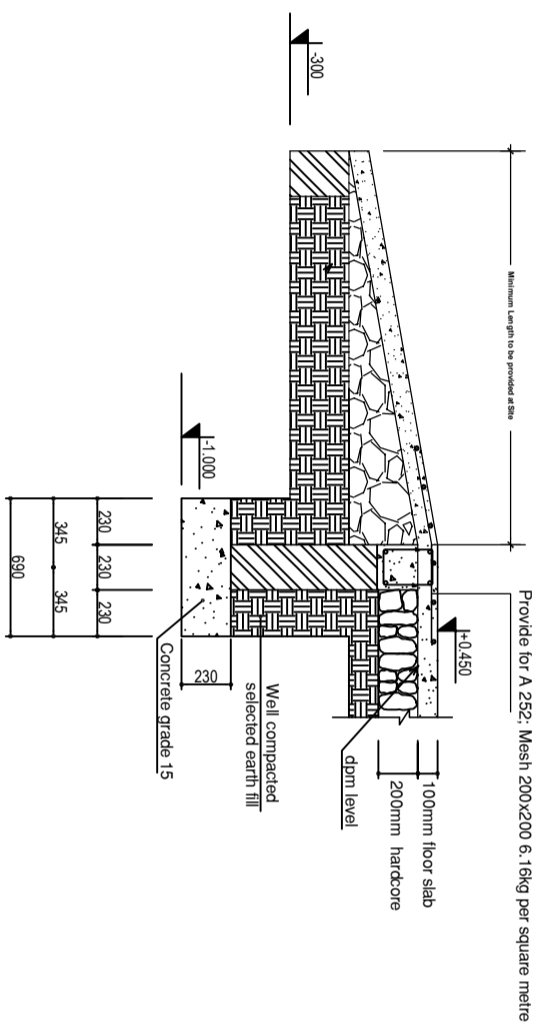
Section C - C



COLUMN FOOTING: E1 - 4N/A
1000x1000x250mm



TYPICAL SECTION A-A THROUGH FOOTING



Section D - D: Ramp Details

- NOTE:**
1. All dimensions are in mm unless otherwise specified
 2. All discrepancies shall be referred to the structural engineer
 3. Reinforced concrete shall be of grade 25 with $f_{cu}=25N/mm^2$ at 28 days of age
 4. Main reinforcements shall be high tensile steel with $f_y = 460N/mm^2$
 5. Nominal cover to the reinforcements:
 - a) Foundation 50mm
 - b) Column 25mm
 - c) Beam 25mm
 - d) Slab 25mm

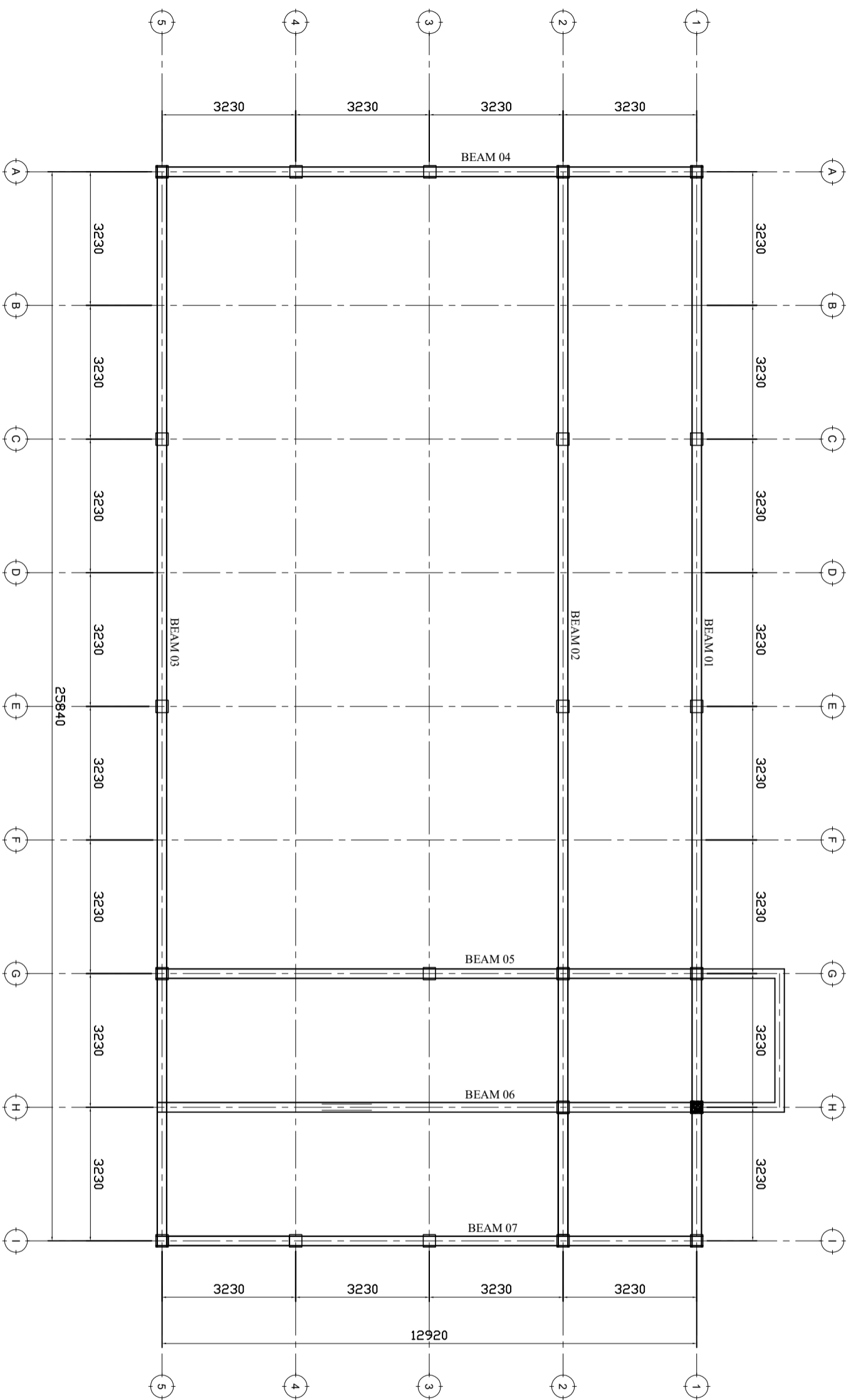
PROJECT:
PROPOSED STANDARD DRAWINGS FOR COUNCIL HOSPITALS IN TANZANIA

CLIENT:
PRESIDENT'S OFFICE REGIONAL ADMINISTRATION LOCAL GOVERNMENT

MINISTRY OF HEALTH, COMMUNITY DEVELOPMENT, GENDER, ELDERLY AND CHILDREN

DRAWING TITLE:
PHARMACY FOUNDATION DETAILS

Designed by:	Eng. R.A.M
Drawn by:	Eng. R.A.M
Checked by:	ENG. A.NGATOMELA
Approved by:	
Date:	2018
Scale:	
Drawing No.	PHM/S,102
Sheet:	



PLINTH BEAM LAYOUT

NOTE:

1. All dimensions are in mm unless otherwise specified
2. All discrepancies shall be referred to the structural engineer
3. Reinforced concrete shall be of grade 25 with $f_{cu}=25\text{N/mm}^2$ at 28 days of age
4. Main reinforcements shall be high tensile steel with $f_y = 460\text{N/mm}^2$
5. Nominal cover to the reinforcements:
 - a) Foundation 50mm
 - b) Column 25mm
 - c) Beam 25mm
 - d) Slab 25mm

PROJECT:

**PROPOSED STANDARD
DRAWINGS FOR COUNCIL
HOSPITALS IN TANZANIA**

CLIENT:

**PRESIDENT'S OFFICE
REGIONAL ADMINISTRATION
LOCAL GOVERNMENT**

**MINISTRY OF
HEALTH, COMMUNITY
DEVELOPMENT, GENDER,
ELDERLY AND CHILDREN**

DRAWING TITLE:

PHARMACY PLINTH BEAM

Designed by: Eng. R.A.M

Drawn by: Eng. R.A.M

Checked by: ENG. ANGATOMELA

Approved by:

Date: **2018** Scale:

Drawing No. Sheet:

PHM/S,103

NOTE:

1. All dimensions are in mm unless otherwise specified
2. All discrepancies shall be referred to the structural engineer
3. Reinforced concrete shall be of grade 25 with $f_{cu}=25N/mm^2$ at 28 days of age
4. Main reinforcements shall be high tensile steel with $f_y = 460N/mm^2$
5. Nominal cover to the reinforcements:
 - a) Foundation 50mm
 - b) Column 25mm
 - c) Beam 25mm
 - d) Slab 25mm

PROJECT:

**PROPOSED STANDARD
DRAWINGS FOR COUNCIL
HOSPITALS IN TANZANIA**

CLIENT:

**PRESIDENT'S OFFICE
REGIONAL ADMINISTRATION
LOCAL GOVERNMENT**

**MINISTRY OF
HEALTH, COMMUNITY
DEVELOPMENT, GENDER,
ELDERLY AND CHILDREN**

DRAWING TITLE:

**PHARMACY PLINTH BEAM
DETAILS**

Designed by: Eng. R.A.M

Drawn by: Eng. R.A.M

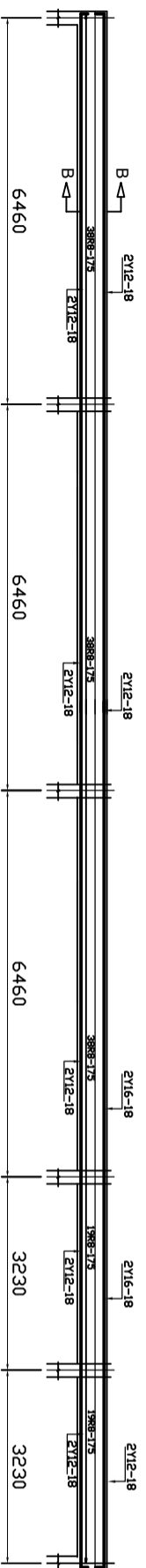
Checked by: ENG. A.NGATOMELA

Approved by:

Date: **2018** Scale:

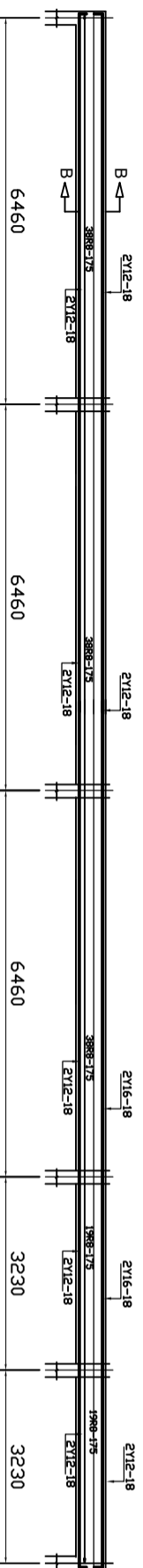
Drawing No. Sheet:

PHM/S.104



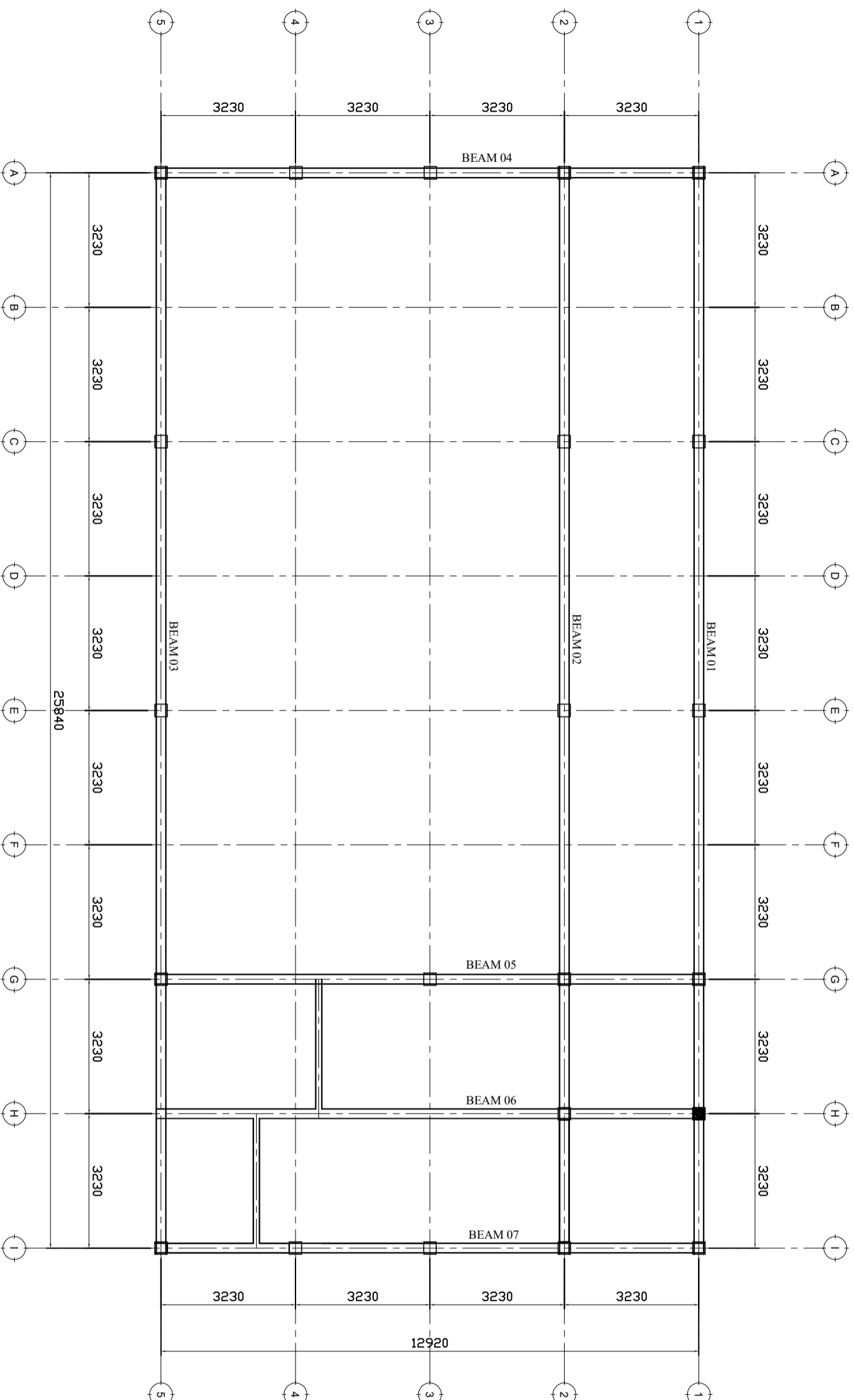
BEAM 01 230x300mm USE FOR
EXTERNAL WALLS

SECTION B-B



BEAM 02 230x300mm USE FOR
INTERNAL WALLS

SECTION A-A



RING BEAM LAYOUT

NOTE:

1. All dimensions are in mm unless otherwise specified
2. All discrepancies shall be referred to the structural engineer
3. Reinforced concrete shall be of grade 25 with $f_{cu}=25N/mm^2$ at 28 days of age
4. Main reinforcements shall be high tensile steel with $f_y = 460N/mm^2$
5. Nominal cover to the reinforcements:
 - a) Foundation 50mm
 - b) Column 25mm
 - c) Beam 25mm
 - d) Slab 25mm

PROJECT:
PROPOSED STANDARD DRAWINGS FOR COUNCIL HOSPITALS IN TANZANIA

CLIENT:
 PRESIDENT'S OFFICE
 REGIONAL ADMINISTRATION
 LOCAL GOVERNMENT

MINISTRY OF
 HEALTH, COMMUNITY
 DEVELOPMENT, GENDER,
 ELDERLY AND CHILDREN

DRAWING TITLE:
PHARMACY RINGBEAM LAYOUT

Designed by: Eng. R.A.M

Drawn by: Eng. R.A.M

Checked by: ENG. ANGATOMELA

Approved by:

Date: **2018** Scale:

Drawing No. **PHM/S. 105** Sheet:

NOTE:

1. All dimensions are in mm unless otherwise specified
2. All discrepancies shall be referred to the structural engineer
3. Reinforced concrete shall be of grade 25 with $f_{cu}=25N/mm^2$ at 28 days of age
4. Main reinforcements shall be high tensile steel with $f_y = 460N/mm^2$
5. Nominal cover to the reinforcements:
 - a) Foundation 50mm
 - b) Column 25mm
 - c) Beam 25mm
 - d) Slab 25mm

PROJECT:

PROPOSED STANDARD DRAWINGS FOR COUNCIL HOSPITALS IN TANZANIA

CLIENT:

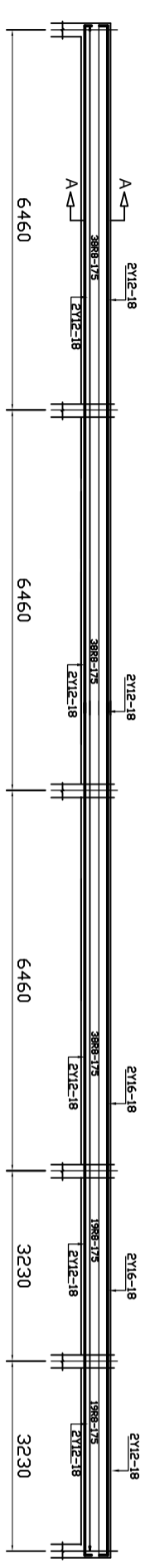
**PRESIDENT'S OFFICE
REGIONAL ADMINISTRATION
LOCAL GOVERNMENT**

**MINISTRY OF
HEALTH, COMMUNITY
DEVELOPMENT, GENDER,
ELDERLY AND CHILDREN**

DRAWING TITLE:

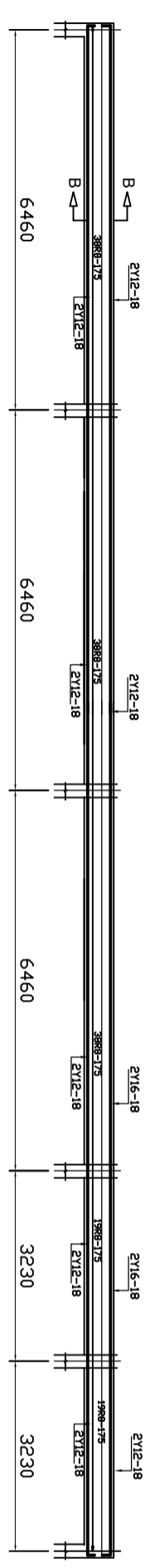
**PHARMACY RING BEAM
DETAILS**

Designed by:	Eng. R.A.M
Drawn by:	Eng. R.A.M
Checked by:	ENG. ANGATOMELA
Approved by:	
Date:	2018
Scale:	
Drawing No.	PHMIS.106
Sheet:	



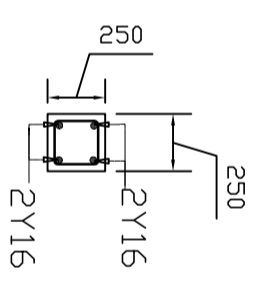
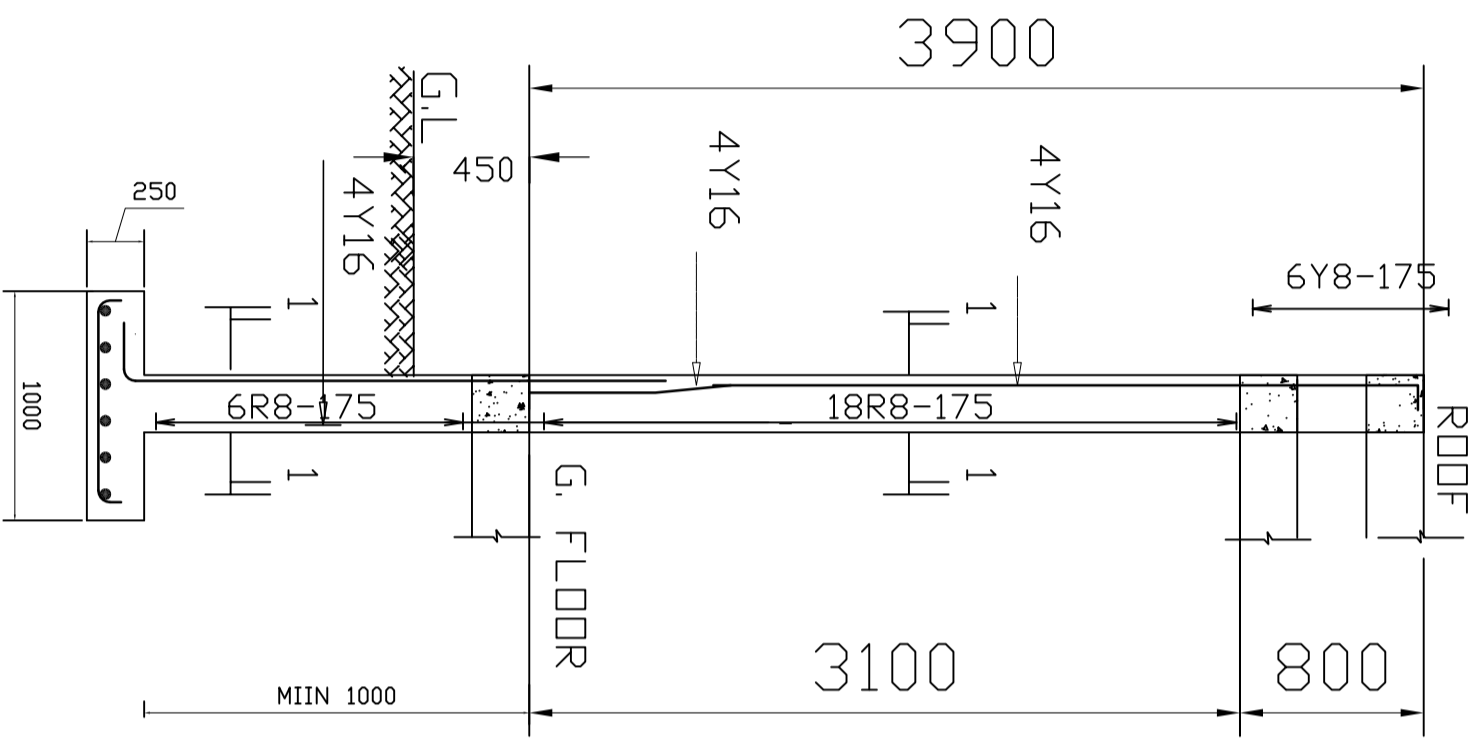
BEAM 01 230x300mm USE FOR EXTERNAL WALLS

SECTION A-A



BEAM 02 230x300mm USE FOR INTERNAL WALLS

SECTION B-B



SECT 1-1

COLUMN CC101 - 23N05
250x250mm

NOTE:

1. All dimensions are in mm unless otherwise specified
2. All discrepancies shall be referred to the structural engineer
3. Reinforced concrete shall be of grade 25 with $f_{cu}=25N/mm^2$ at 28 days of age
4. Main reinforcements shall be high tensile steel with $f_y = 460N/mm^2$
5. Nominal cover to the reinforcements:
 - a) Foundation 50mm
 - b) Column 25mm
 - c) Beam 25mm
 - d) Slab 25mm

PROJECT:

PROPOSED STANDARD DRAWINGS FOR COUNCIL HOSPITALS IN TANZANIA

CLIENT:

PRESIDENT'S OFFICE
REGIONAL ADMINISTRATION
LOCAL GOVERNMENT

MINISTRY OF HEALTH, COMMUNITY DEVELOPMENT, GENDER, ELDERLY AND CHILDREN

DRAWING TITLE:

PHARMACY COLUMNS
DETAILS

Designed by: Eng. R.A.M

Drawn by: Eng. R.A.M

Checked by: ENG. A. NGATOMELA

Approved by:

Date: 2018 Scale:

Drawing No. PHM/S.106 Sheet:

NOTE:

1. All dimensions are in mm unless otherwise specified
2. All discrepancies shall be referred to the structural engineer
3. Reinforced concrete shall be of grade 25 with $f_{cu}=25N/mm^2$ at 28 days of age
4. Main reinforcements shall be high tensile steel with $f_y = 460N/mm^2$
5. Nominal cover to the reinforcements:
 - a) Foundation 50mm
 - b) Column 25mm
 - c) Beam 25mm
 - d) Slab 25mm

PROJECT:

PROPOSED STANDARD DRAWINGS FOR COUNCIL HOSPITALS IN TANZANIA

CLIENT:

**PRESIDENT'S OFFICE
REGIONAL ADMINISTRATION
LOCAL GOVERNMENT**

**MINISTRY OF
HEALTH, COMMUNITY
DEVELOPMENT, GENDER,
ELDERLY AND CHILDREN**

**DRAWING TITLE:
PHARMACY TRUSS LAYOUT**

Designed by: Eng. R.A.M

Drawn by: Eng. R.A.M

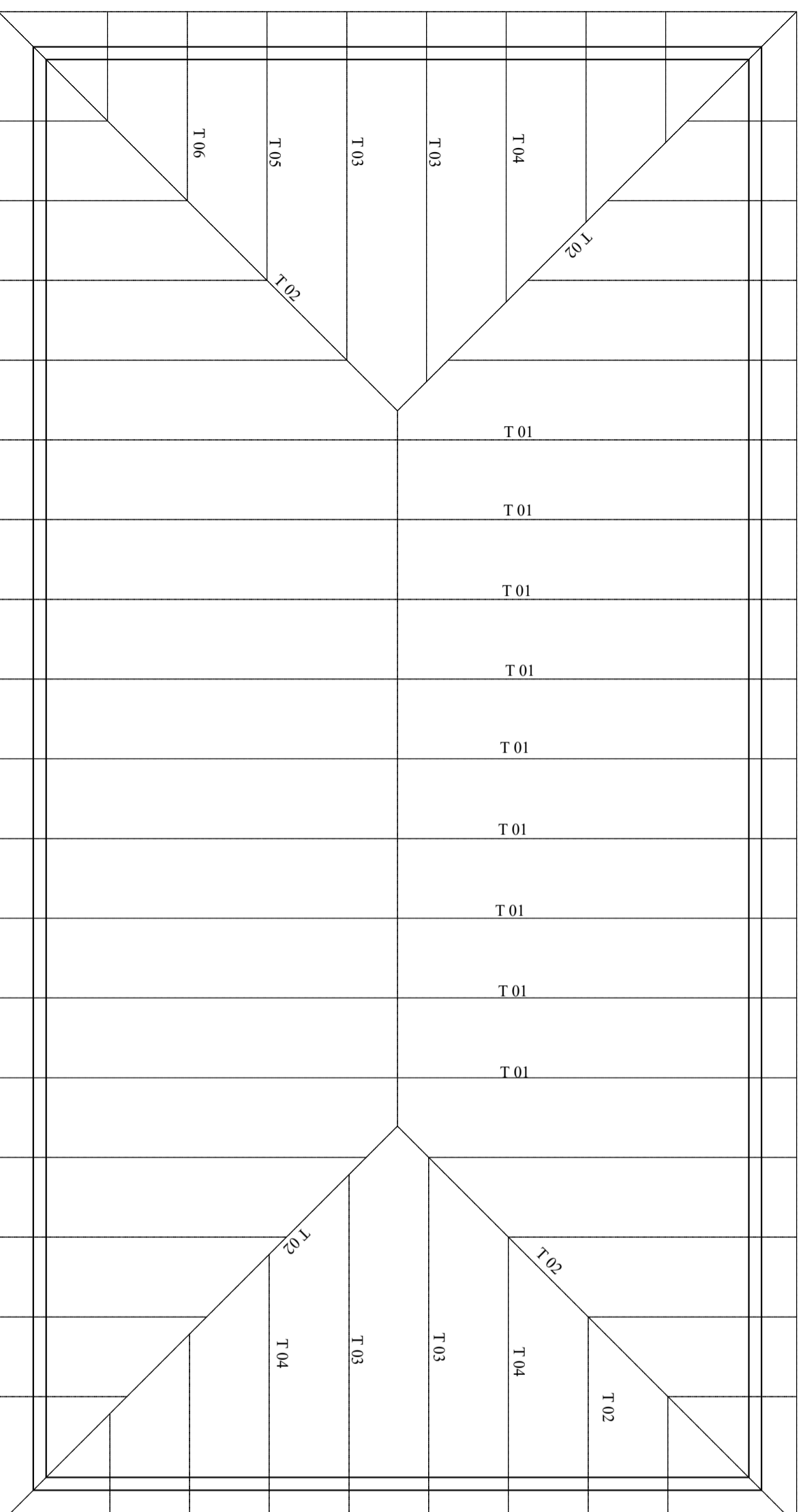
Checked by: ENG. A.NGATOMELA

Approved by:

Date: **2018** Scale:

Drawing No. Sheet:

PHM/S.107



TRUSS LAYOUT

NOTE:

1. All dimensions are in mm unless otherwise specified
2. All discrepancies shall be referred to the structural engineer
3. Reinforced concrete shall be of grade 25 with $f_{cu}=25N/mm^2$ at 28 days of age
4. Main reinforcements shall be high tensile steel with $f_y = 460N/mm^2$
5. Nominal cover to the reinforcements:
 - a) Foundation 50mm
 - b) Column 25mm
 - c) Beam 25mm
 - d) Slab 25mm

PROJECT:

**PROPOSED STANDARD
DRAWINGS FOR COUNCIL
HOSPITALS IN TANZANIA**

CLIENT:

**PRESIDENT'S OFFICE
REGIONAL ADMINISTRATION
LOCAL GOVERNMENT**

**MINISTRY OF
HEALTH, COMMUNITY
DEVELOPMENT, GENDER,
ELDERLY AND CHILDREN**

DRAWING TITLE:

**PHARMACY TRUSS
DETAILS**

Designed by: Eng. R.A.M

Drawn by: Eng. R.A.M

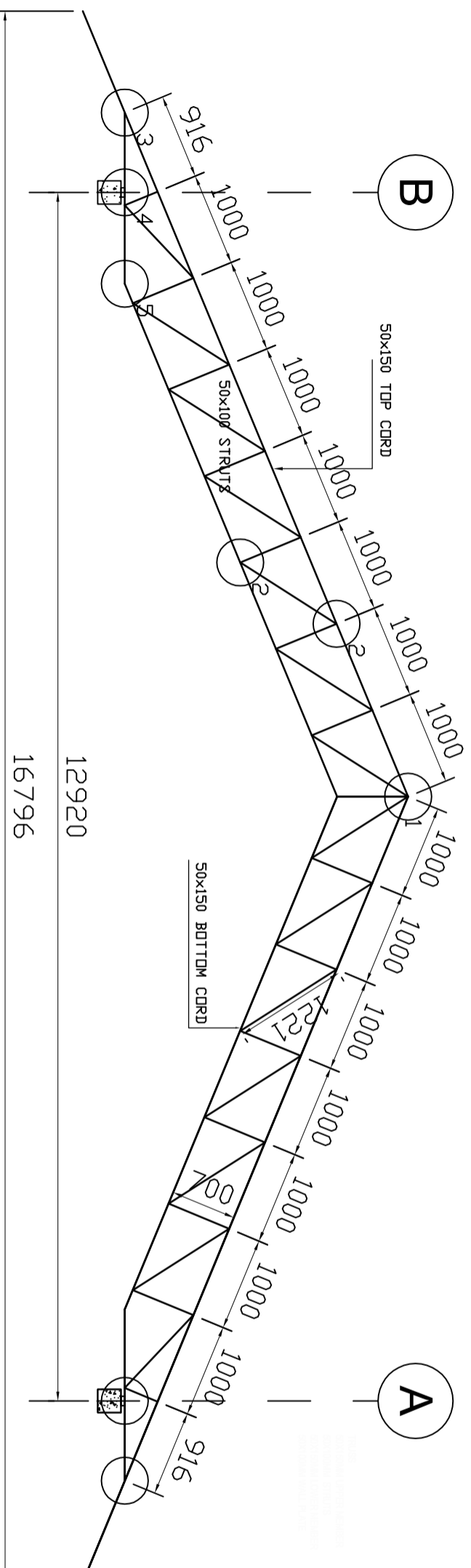
Checked by: ENG. ANGATOMELA

Approved by:

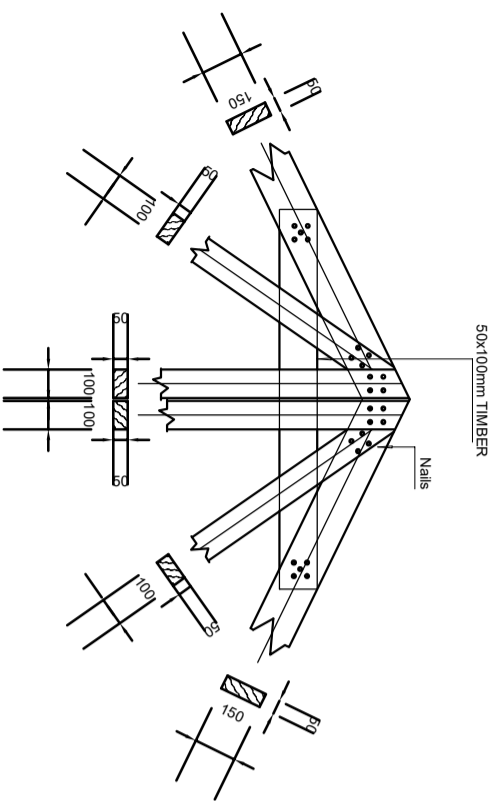
Date: **2018** Scale:

Drawing No. Sheet:

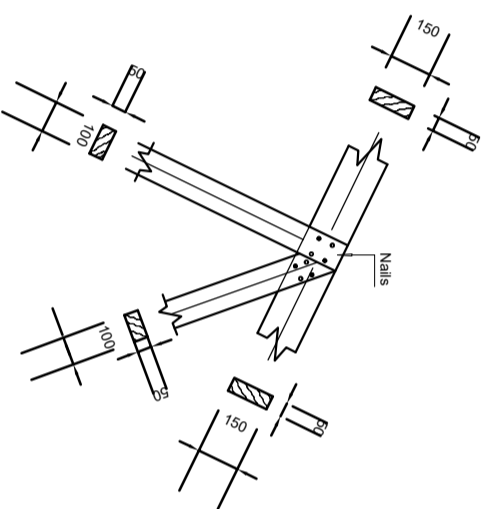
PHM/S.108



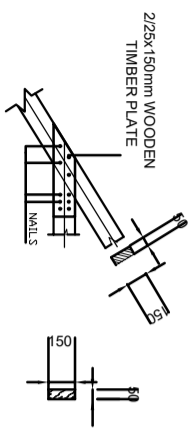
TIMBER TRUSS TT 103



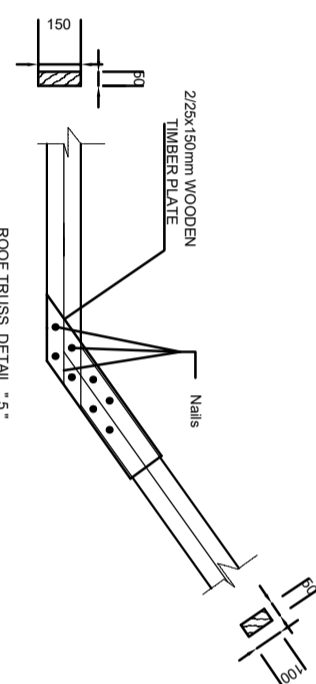
ROOF TRUSS DETAIL "1"



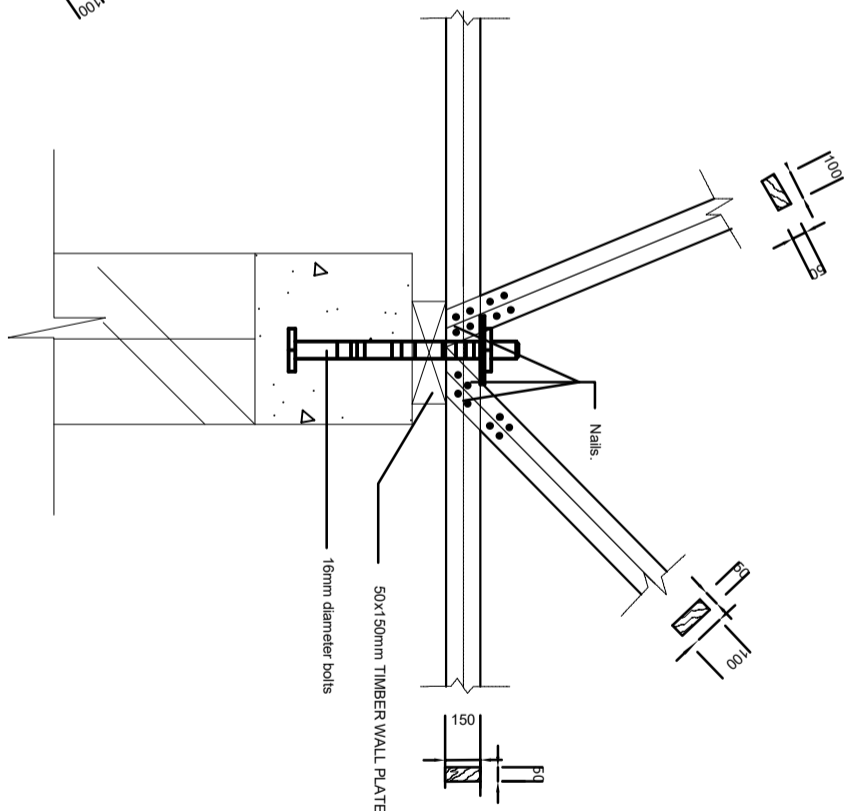
ROOF TRUSS DETAIL "2"



ROOF TRUSS DETAIL "3"



ROOF TRUSS DETAIL "5"



ROOF TRUSS DETAIL "4"

NOTE:

1. All dimensions are in mm unless otherwise specified
2. All discrepancies shall be referred to the structural engineer
3. Reinforced concrete shall be of grade 25 with $f_{cu}=25N/mm^2$ at 28 days of age
4. Main reinforcements shall be high tensile steel with $f_y = 460N/mm^2$
5. Nominal cover to the reinforcements:
 - a) Foundation 50mm
 - b) Column 25mm
 - c) Beam 25mm
 - d) Slab 25mm

PROJECT:
PROPOSED STANDARD DRAWINGS FOR COUNCIL HOSPITALS IN TANZANIA

CLIENT:
PRESIDENT'S OFFICE REGIONAL ADMINISTRATION LOCAL GOVERNMENT

MINISTRY OF HEALTH, COMMUNITY DEVELOPMENT, GENDER, ELDERLY AND CHILDREN

DRAWING TITLE:
PHARMACY TRUSS DETAILS AND CONNECTIONS

Designed by:	Eng. R.A.M
Drawn by:	Eng. R.A.M
Checked by:	ENG. A.NGATOMELA
Approved by:	
Date:	2018
Scale:	
Drawing No.	PHM/S.109
Sheet:	