

NOTE:

1. All dimensions are in mm unless otherwise specified
2. All discrepancies shall be referred to the structural engineer
3. Reinforced concrete shall be of grade 25 with $f_{cu}=25N/mm^2$ at 28 days of age
4. Main reinforcements shall be high tensile steel with $f_y = 460N/mm^2$
5. Nominal cover to the reinforcements:
 - a) Foundation 50mm
 - b) Column 25mm
 - c) Beam 25mm
 - d) Slab 25mm

PROJECT:

PROPOSED STANDARD DRAWINGS FOR COUNCIL HOSPITALS IN TANZANIA

CLIENT:

**PRESIDENT'S OFFICE
REGIONAL ADMINISTRATION
LOCAL GOVERNMENT**

**MINISTRY OF
HEALTH, COMMUNITY
DEVELOPMENT, GENDER,
ELDERLY AND CHILDREN**

DRAWING TITLE:

**MENTAL HEALTH WARD
FOUNDATION DETAILS**

Designed by: Eng. R.A.M

Drawn by: Eng. R.A.M

Checked by: ENG. A.NGATOMEIA

Approved by:

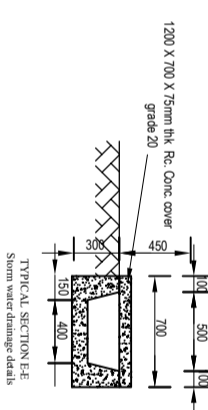
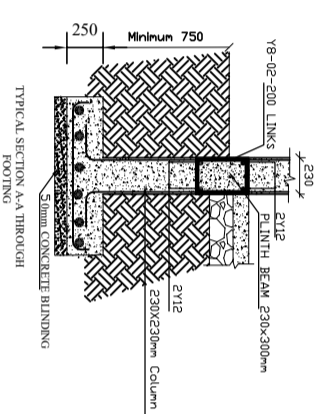
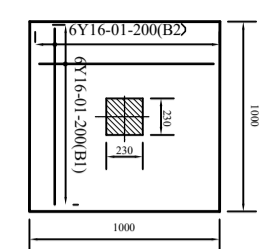
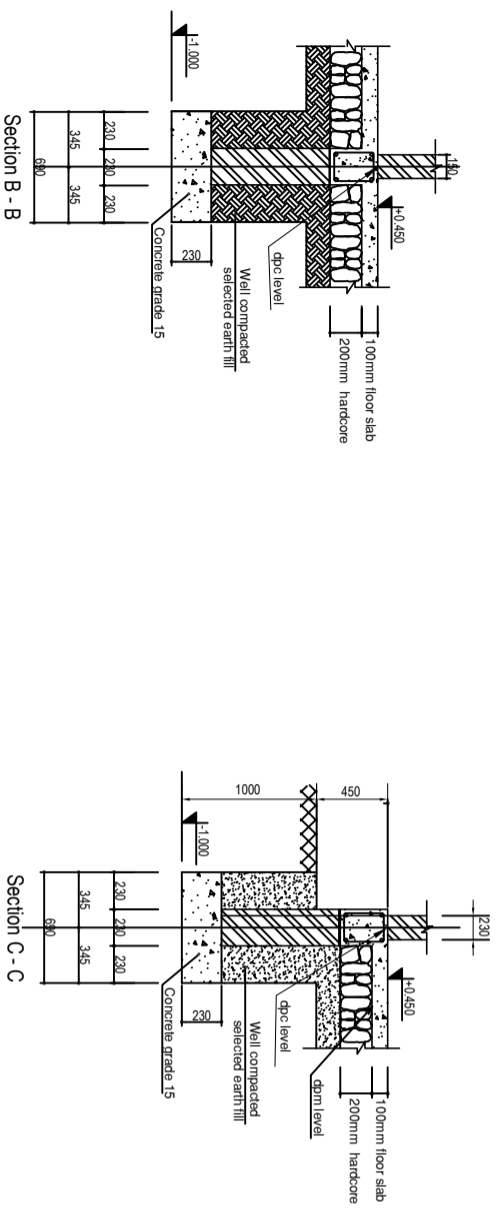
Date: **2018**

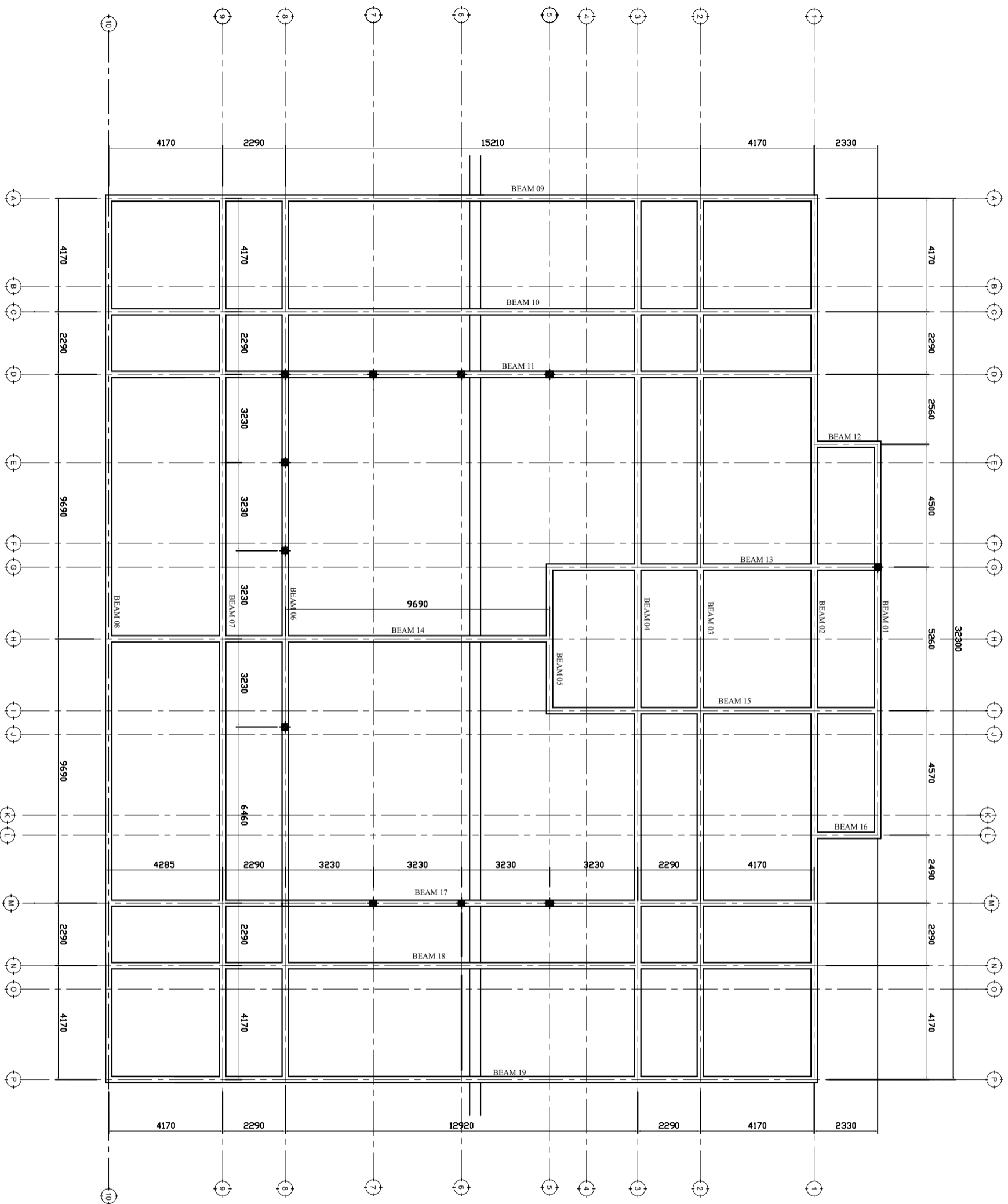
Scale:

Drawing No.

Sheet:

MENS,102





NOTE:

1. All dimensions are in mm unless otherwise specified
2. All discrepancies shall be referred to the structural engineer
3. Reinforced concrete shall be of grade 25 with $f_{cu}=25N/mm^2$ at 28 days of age
4. Main reinforcements shall be high tensile steel with $f_y = 460N/mm^2$
5. Nominal cover to the reinforcements:
 - a) Foundation 50mm
 - b) Column 25mm
 - c) Beam 25mm
 - d) Slab 25mm

PROJECT:
PROPOSED STANDARD DRAWINGS FOR COUNCIL HOSPITALS IN TANZANIA

CLIENT:
**PRESIDENT'S OFFICE
 REGIONAL ADMINISTRATION
 LOCAL GOVERNMENT**

**MINISTRY OF
 HEALTH, COMMUNITY
 DEVELOPMENT, GENDER,
 ELDERLY AND CHILDREN**

DRAWING TITLE:
**MENTAL HEALTH WARD
 PLINTH BEAM**

Designed by: Eng. R.A.M

Drawn by: Eng. R.A.M

Checked by: ENG. A. NGATOMELA

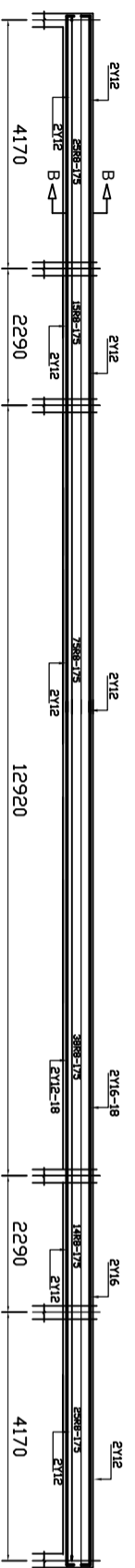
Approved by:

Date: **2018**

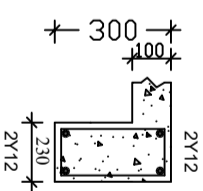
Scale:

Drawing No. **MENS,103**

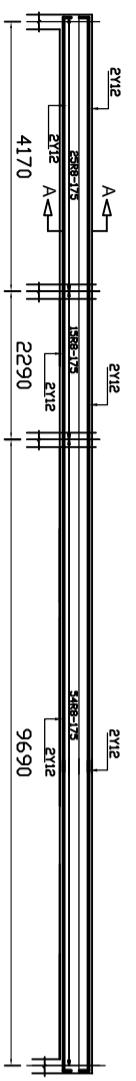
Sheet:



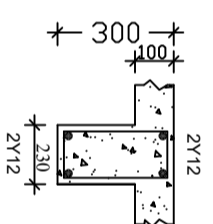
BEAM 19 230x300mm USE FOR EXTERNAL WALLS



SECTION B-B



BEAM 14 230x300mm USE FOR INTERNAL WALLS



SECTION A-A

NOTE:

1. All dimensions are in mm unless otherwise specified
2. All discrepancies shall be referred to the structural engineer
3. Reinforced concrete shall be of grade 25 with $f_{cu}=25N/mm^2$ at 28 days of age
4. Main reinforcements shall be high tensile steel with $f_y = 460N/mm^2$
5. Nominal cover to the reinforcements:
 - a) Foundation 50mm
 - b) Column 25mm
 - c) Beam 25mm
 - d) Slab 25mm

PROJECT:

PROPOSED STANDARD DRAWINGS FOR COUNCIL HOSPITALS IN TANZANIA

CLIENT:

**PRESIDENT'S OFFICE
REGIONAL ADMINISTRATION
LOCAL GOVERNMENT**

**MINISTRY OF
HEALTH, COMMUNITY
DEVELOPMENT, GENDER,
ELDERLY AND CHILDREN**

DRAWING TITLE:

**MENTAL HEALTH WARD
PLINTH BEAM DETAILS**

Designed by: Eng. R.A.M

Drawn by: Eng. R.A.M

Checked by: ENG. ANGATOMELA

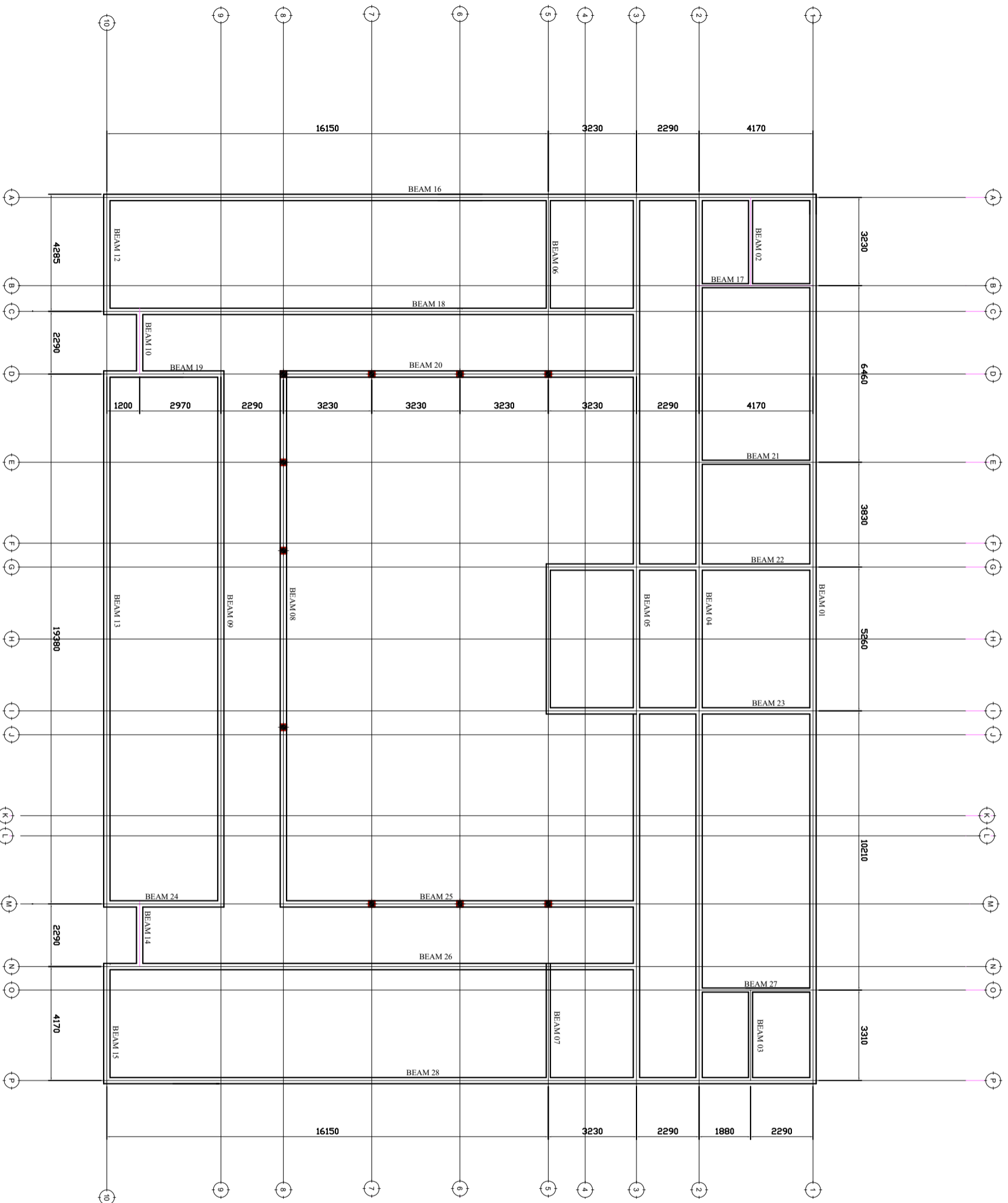
Approved by:

Date: **2018**

Scale:

Drawing No. **ME/S.104**

Sheet:



- NOTE:**
1. All dimensions are in mm unless otherwise specified
 2. All discrepancies shall be referred to the structural engineer
 3. Reinforced concrete shall be of grade 25 with $f_{cu}=25N/mm^2$ at 28 days of age
 4. Main reinforcements shall be high tensile steel with $f_y = 460N/mm^2$
 5. Nominal cover to the reinforcements:
 - a) Foundation 50mm
 - b) Column 25mm
 - c) Beam 25mm
 - d) Slab 25mm

PROJECT:
PROPOSED STANDARD DRAWINGS FOR COUNCIL HOSPITALS IN TANZANIA

CLIENT:
**PRESIDENT'S OFFICE
 REGIONAL ADMINISTRATION
 LOCAL GOVERNMENT**

**MINISTRY OF
 HEALTH, COMMUNITY
 DEVELOPMENT, GENDER,
 ELDERLY AND CHILDREN**

DRAWING TITLE: MENTAL HEALTH WARD RINGBEAM LAYOUT	
Designed by:	Eng. R.A.M
Drawn by:	Eng. R.A.M
Checked by:	ENG. A.NGATOMELA
Approved by:	
Date: 2018	Scale:
Drawing No. MEN/S. 105	Sheet:

NOTE:

1. All dimensions are in mm unless otherwise specified
2. All discrepancies shall be referred to the structural engineer
3. Reinforced concrete shall be of grade 25 with $f_{cu}=25N/mm^2$ at 28 days of age
4. Main reinforcements shall be high tensile steel with $f_y = 460N/mm^2$
5. Nominal cover to the reinforcements:
 - a) Foundation 50mm
 - b) Column 25mm
 - c) Beam 25mm
 - d) Slab 25mm

PROJECT:

**PROPOSED STANDARD
DRAWINGS FOR COUNCIL
HOSPITALS IN TANZANIA**

CLIENT:

**PRESIDENT'S OFFICE
REGIONAL ADMINISTRATION
LOCAL GOVERNMENT**

**MINISTRY OF
HEALTH, COMMUNITY
DEVELOPMENT, GENDER,
ELDERLY AND CHILDREN**

DRAWING TITLE:

**PHARMACY RING BEAM
DETAILS**

Designed by: Eng. R.A.M

Drawn by: Eng. R.A.M

Checked by: ENG. ANGATOMELA

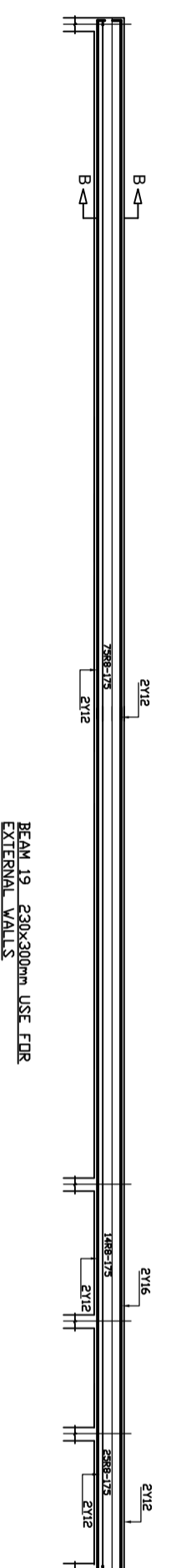
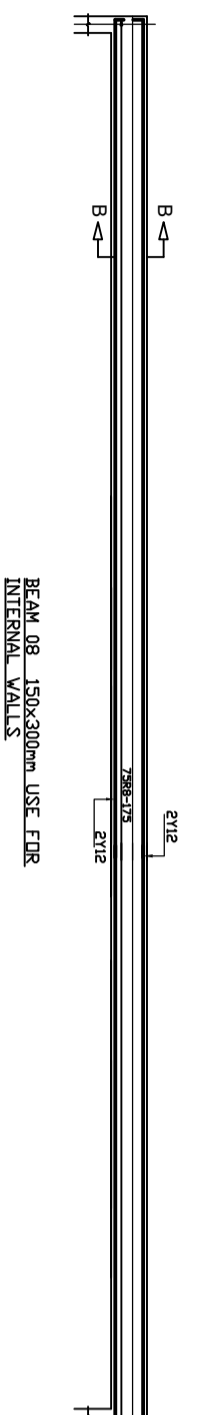
Approved by:

Date: **2018**

Scale:

Drawing No. **PHM/S.106**

Sheet:

**SECTION B-B****SECTION A-A**

NOTE:

1. All dimensions are in mm unless otherwise specified
2. All discrepancies shall be referred to the structural engineer
3. Reinforced concrete shall be of grade 25 with $f_{cu}=25N/mm^2$ at 28 days of age
4. Main reinforcements shall be high tensile steel with $f_y = 460N/mm^2$
5. Nominal cover to the reinforcements:
 - a) Foundation 50mm
 - b) Column 25mm
 - c) Beam 25mm
 - d) Slab 25mm

PROJECT:

PROPOSED STANDARD DRAWINGS FOR COUNCIL HOSPITALS IN TANZANIA

CLIENT:

**PRESIDENT'S OFFICE
REGIONAL ADMINISTRATION
LOCAL GOVERNMENT**

**MINISTRY OF
HEALTH, COMMUNITY
DEVELOPMENT, GENDER,
ELDERLY AND CHILDREN**

DRAWING TITLE:

**MENTAL HEALTH WARD
COLUMNS DETAILS**

Designed by: Eng. R.A.M

Drawn by: Eng. R.A.M

Checked by: ENG. A. NGATOMELA

Approved by:

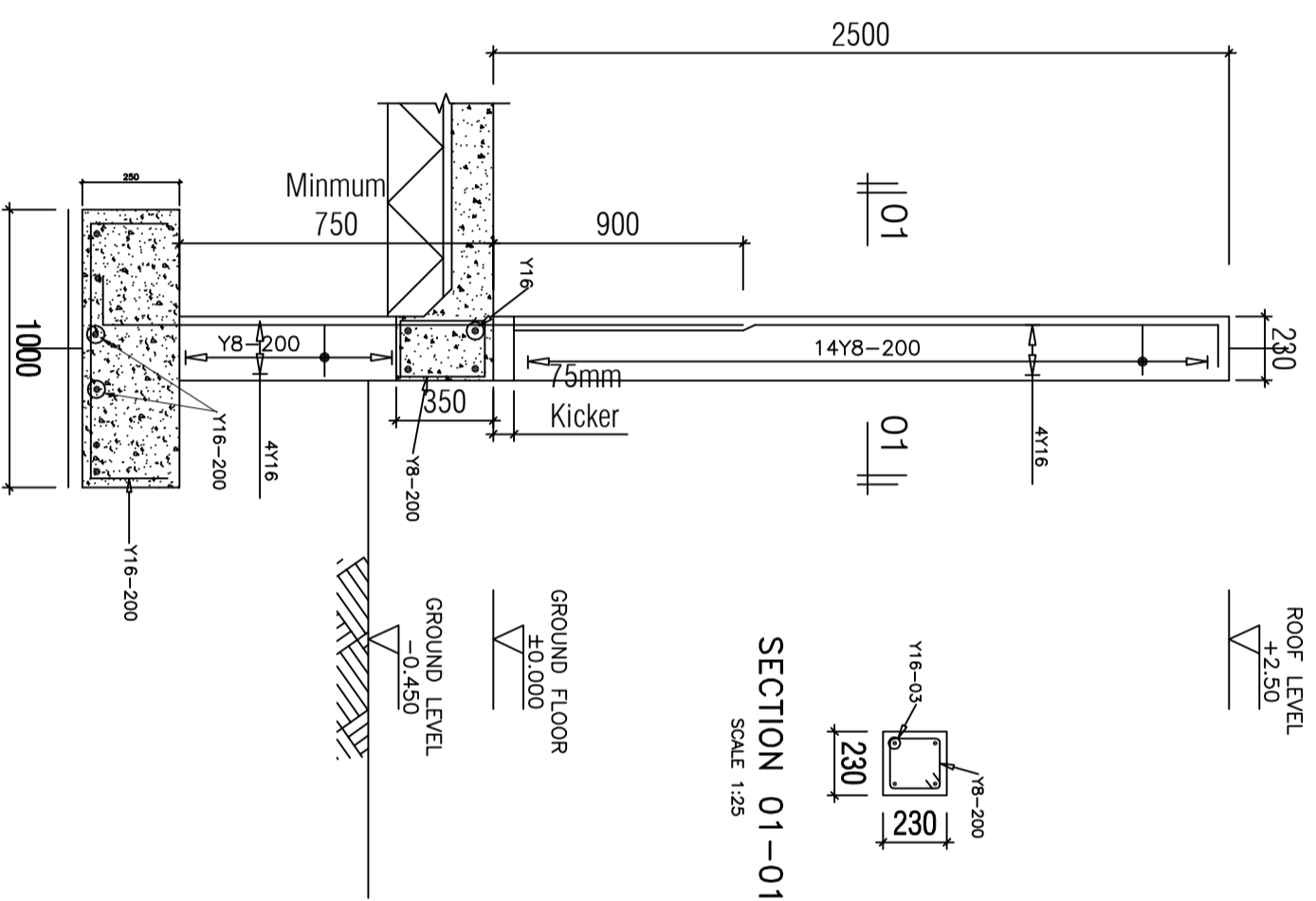
Date: **2018**

Scale:

Drawing No.

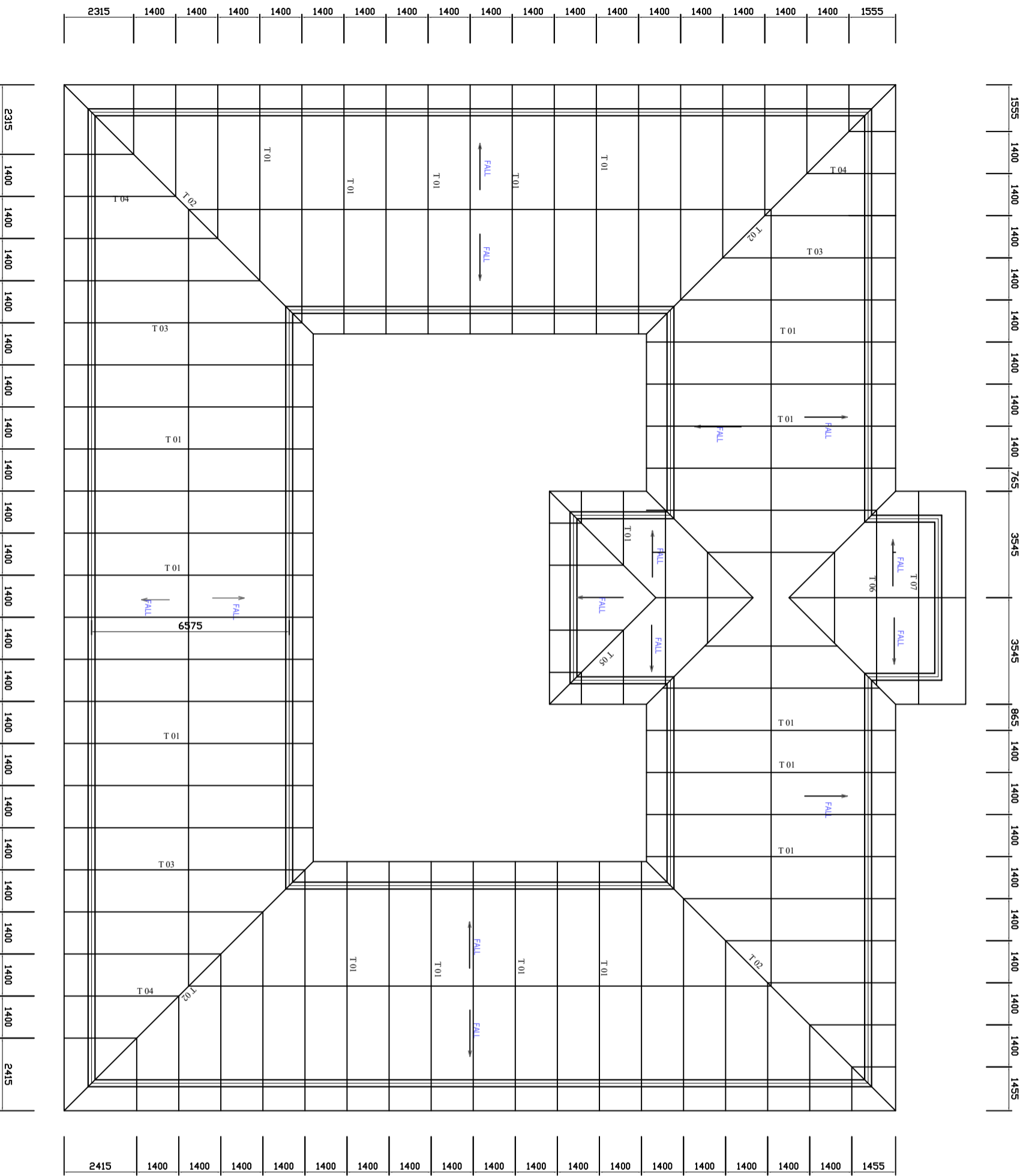
MEN/S.106

Sheet:



**COLUMN C3
(230x230mm)**

SCALE 1:25



NOTE:

1. All dimensions are in mm unless otherwise specified
2. All discrepancies shall be referred to the structural engineer
3. Reinforced concrete shall be of grade 25 with $f_{cu}=25N/mm^2$ at 28 days of age
4. Main reinforcements shall be high tensile steel with $f_y = 460N/mm^2$
5. Nominal cover to the reinforcements:
 - a) Foundation 50mm
 - b) Column 25mm
 - c) Beam 25mm
 - d) Slab 25mm

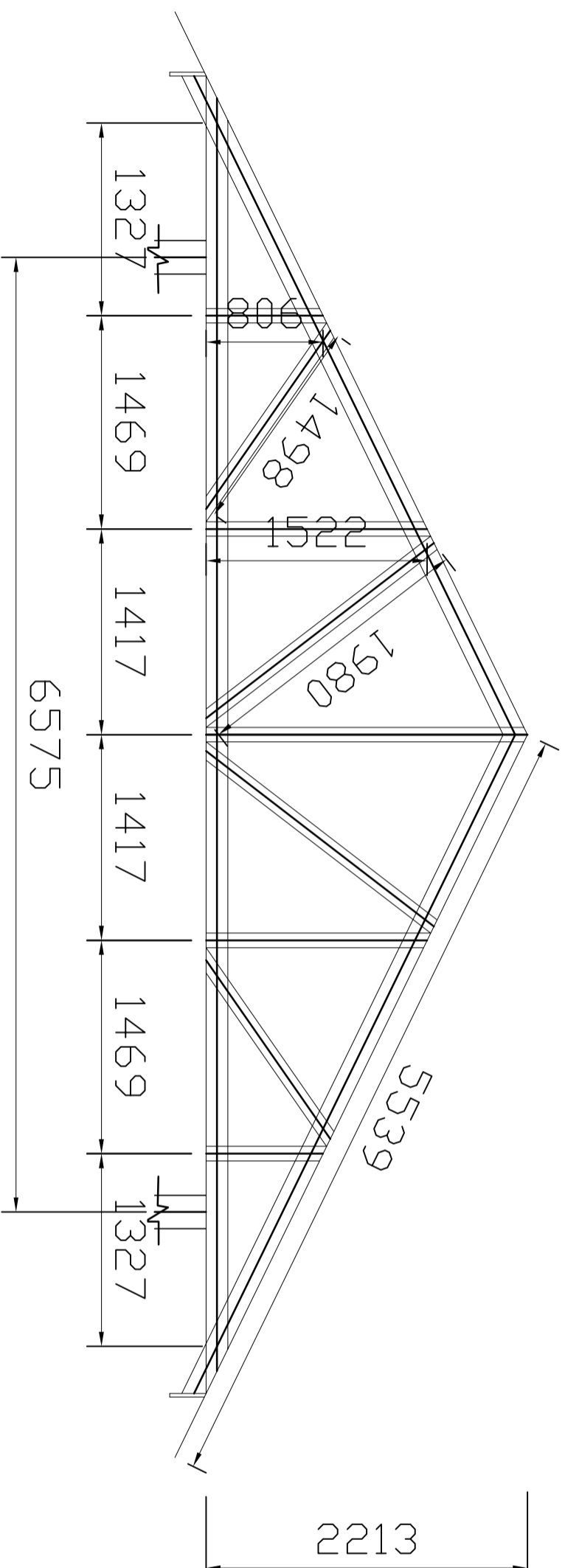
PROJECT:
PROPOSED STANDARD DRAWINGS FOR COUNCIL HOSPITALS IN TANZANIA

CLIENT:
 PRESIDENT'S OFFICE
 REGIONAL ADMINISTRATION
 LOCAL GOVERNMENT

MINISTRY OF HEALTH, COMMUNITY DEVELOPMENT, GENDER, ELDERLY AND CHILDREN

DRAWING TITLE:
MENTAL HEALTH WARD TRUSS LAYOUT

Designed by:	Eng. R.A.M
Drawn by:	Eng. R.A.M
Checked by:	ENG. ANGATOMELA
Approved by:	
Date:	2018
Drawing No.	MENS.107
Scale:	
Sheet:	



TIMBER TRUSS T01

NOTE:

1. All dimensions are in mm unless otherwise specified
2. All discrepancies shall be referred to the structural engineer
3. Reinforced concrete shall be of grade 25 with $f_{cu}=25N/mm^2$ at 28 days of age
4. Main reinforcements shall be high tensile steel with $f_y = 460N/mm^2$
5. Nominal cover to the reinforcements:
 - a) Foundation 50mm
 - b) Column 25mm
 - c) Beam 25mm
 - d) Slab 25mm

PROJECT:
PROPOSED STANDARD DRAWINGS FOR COUNCIL HOSPITALS IN TANZANIA

CLIENT:
 PRESIDENT'S OFFICE
 REGIONAL ADMINISTRATION
 LOCAL GOVERNMENT

MINISTRY OF
 HEALTH, COMMUNITY
 DEVELOPMENT, GENDER,
 ELDERLY AND CHILDREN

DRAWING TITLE:
MENTAL HEALTH WARD TRUSS DETAILS

Designed by: Eng. R.A.M

Drawn by: Eng. R.A.M

Checked by: ENG. A.NGATOMELA

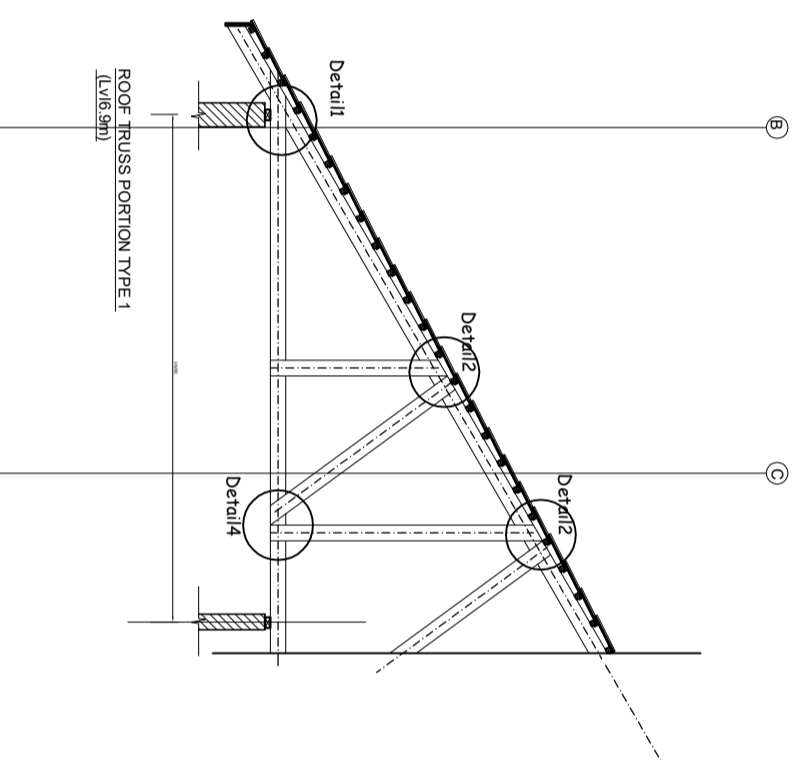
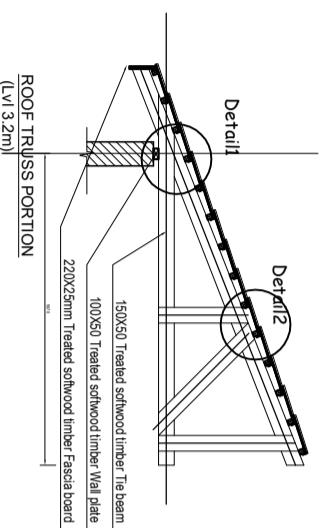
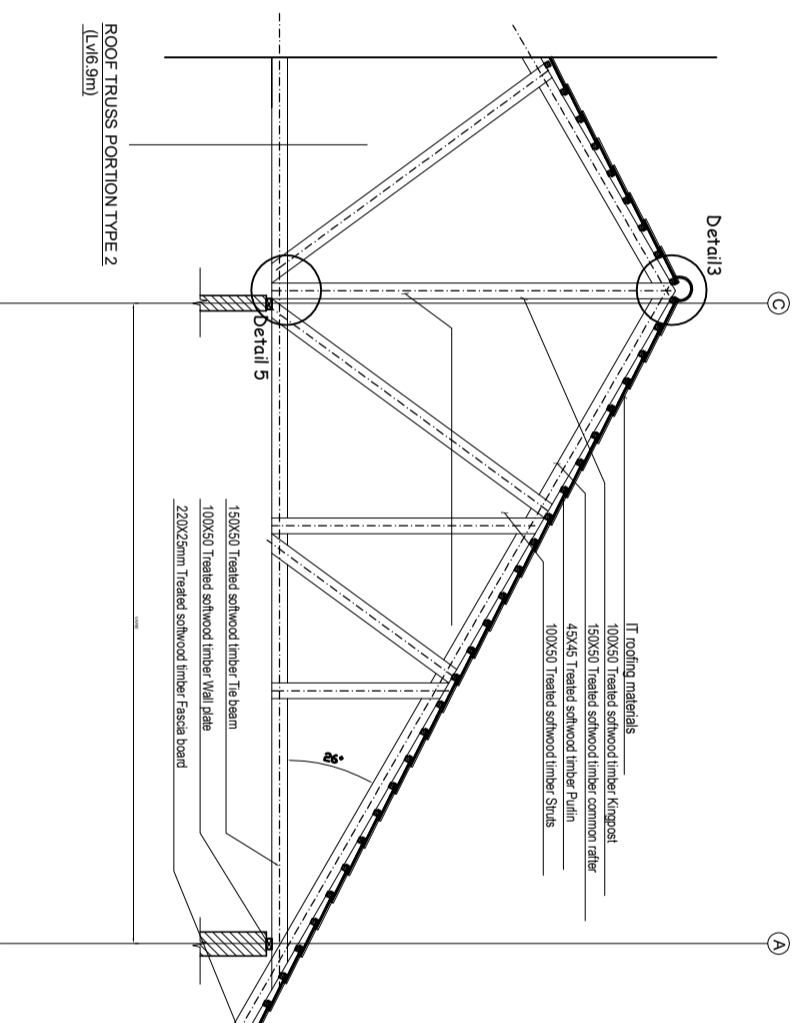
Approved by:

Date: **2018**

Scale:

Drawing No. **MEN/S.108**

Sheet:



NOTE:

1. All dimensions are in mm unless otherwise specified
2. All discrepancies shall be referred to the structural engineer
3. Reinforced concrete shall be of grade 25 with $f_{cu}=25N/mm^2$ at 28 days of age
4. Main reinforcements shall be high tensile steel with $f_y = 460N/mm^2$
5. Nominal cover to the reinforcements:
 - a) Foundation 50mm
 - b) Column 25mm
 - c) Beam 25mm
 - d) Slab 25mm

PROJECT:

PROPOSED STANDARD DRAWINGS FOR COUNCIL HOSPITALS IN TANZANIA

CLIENT:

**PRESIDENT'S OFFICE
REGIONAL ADMINISTRATION
LOCAL GOVERNMENT**

**MINISTRY OF
HEALTH, COMMUNITY
DEVELOPMENT, GENDER,
ELDERLY AND CHILDREN**

DRAWING TITLE:
MENTAL HEALTH WARD DETAILS AND CONNECTIONS

Designed by: Eng. R.A.M

Drawn by: Eng. R.A.M

Checked by: ENG. A. NGATOMELA

Approved by:

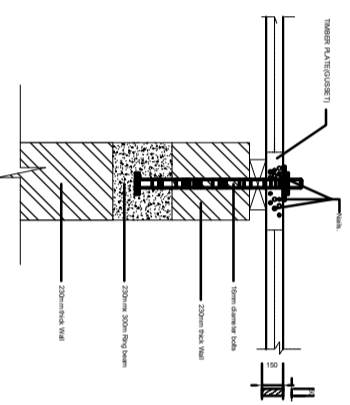
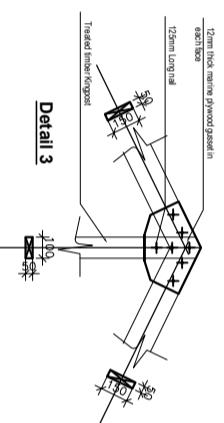
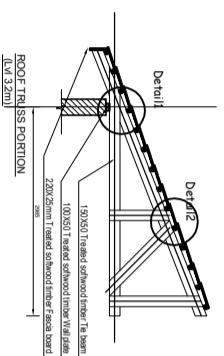
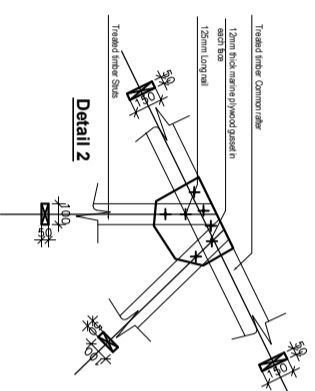
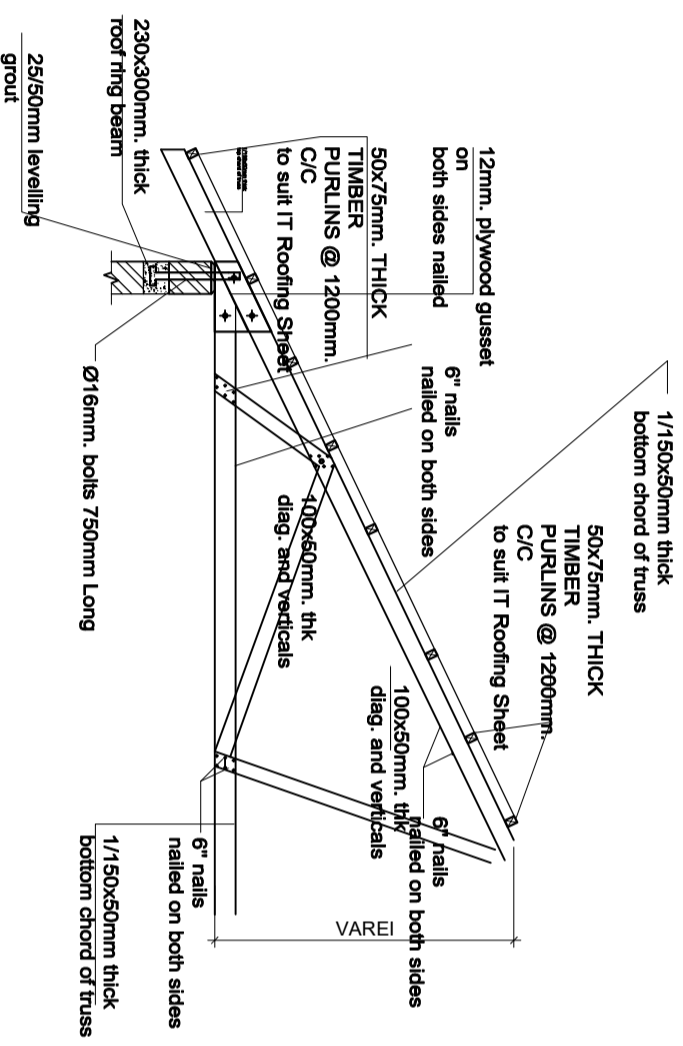
Date: **2018**

Scale:

Drawing No.

Sheet:

MEN/S.109



NOTE:

1. All dimensions are in mm unless otherwise specified
2. All discrepancies shall be referred to the structural engineer
3. Reinforced concrete shall be of grade 25 with $f_{cu}=25N/mm^2$ at 28 days of age
4. Main reinforcements shall be high tensile steel with $f_y = 460N/mm^2$
5. Nominal cover to the reinforcements:
 - a) Foundation 50mm
 - b) Column 25mm
 - c) Beam 25mm
 - d) Slab 25mm

PROJECT:

PROPOSED STANDARD DRAWINGS FOR COUNCIL HOSPITALS IN TANZANIA

CLIENT:

**PRESIDENT'S OFFICE
REGIONAL ADMINISTRATION
LOCAL GOVERNMENT**

**MINISTRY OF
HEALTH,COMMUNITY
DEVELOPMENT,GENDER,
ELDERLY AND CHILDREN**

**DRAWING TITLE:
MENTAL HEALTH WARD DETAILS AND
CONNECTIONS**

Designed by: Eng. R.A.M

Drawn by: Eng. R.A.M

Checked by: ENG. ANGATOMELA

Approved by:

Date: **2018**

Scale:

Drawing No. **MENS.109**

Sheet: