

THE UNITED REPUBLIC OF TANZANIA



PRESIDENT'S OFFICE  
REGIONAL ADMINISTRATION AND LOCAL GOVERNMENT

## PROPOSED DISPENSARY

---

Schedule of Material, Labour & Drawings for Maternity and Delivery

---

### PROJECT AREA

#### TANZANIA MAINLAND

Ministry of Health, Community,  
Development Gender, Elderly and Children,  
University of Dodoma,  
College of Humanities,  
& Social Science 11<sup>th</sup> Building,  
P.O.Box 743,  
**40478 DODOMA.**

President's Office,  
Regional Administration,  
& Local Government,  
Mkapa House,  
Mlezi Road,  
P.O.Box 1923,  
**41185 DODOMA.**

APRIL, 2018

PO-RALG

# **Schedule of Materials**

ITEM	DESCRIPTION	QTY	UNIT	PRICE-TZS	AMOUNT
	<b><u>MATERIALS</u></b>				
<b>A</b>	<b>SUBSTRUCTURE -PROVISIONAL</b>				
1	<b><u>Strip Foundation - Grade 15 Plain</u></b>				
	Aggregate (3/4")	8	M <sup>3</sup>		
	Sand	4	M <sup>3</sup>		
	Cement-50kgs	36	Bags		
2	<b><u>Foundation Walls</u></b>				
	6" Cement & Sand Block	812	No		
	Sand	4	M <sup>3</sup>		
	Cement -50kgs	14	Bags		
3	<b><u>Moram, Hardcore &amp; Site sterilization</u></b>				
	Moram-(4.5m <sup>3</sup> lorry)	5	Trips		
	Hadcore-(4.5m <sup>3</sup> lorry)	3	Trips		
	Sand	2	M <sup>3</sup>		
	Aldrin solution or equal and approved	489	Litres		
4	<b><u>Oversite Concrete (100mm thick - 15 grade) &amp; Ground Beam - 20 grade</u></b>				
	DPM	71	M <sup>2</sup>		
	Cement -50kgs	68	Bags		
	Aggregates (1/2")	12	M <sup>3</sup>		
	Sand	6	M <sup>3</sup>		
	Reinforcement - 12mm diameter high tensile	17	PC'S		
	Reinforcement - 8mm diameter	21	PC'S		
	Timber 1" X 8" (5.2m long)	8	PC'S		
	Timber 2" X 2"	7	PC'S		
	Nails-4"	10	Kgs		
	Nails-3"	7	Kgs		
	Supporting props	12	PC'S		
	<b>SUB-TOTAL SUB STRUCTURE</b>				

SCHEDULE OF MATERIALS

MATERNITY AND DELIVERY - (GROSS FLOOR AREA = 82 SQ.M)

ITEM	DESCRIPTION	QTY	UNIT	PRICE-TZS	AMOUNT
<b>B.</b>	<b>SUPERSTRUCTURE</b>				
1	<b><u>Walls &amp; Ring beam</u></b>				
	6" Cement & Sand Block	1,466	No		
	DPC (20m long)	3	Roll		
	Sand	8	M <sup>3</sup>		
	Cement-50kgs	59	Bags		
	Aggregates (1/2")	4	M <sup>3</sup>		
	Reinforcement - 12mm diameter high tensile	17	PC'S		
	Reinforcement - 8mm diameter	21	PC'S		
	Binding Wire - 1kg	4	Bundle		
	Timber 1" X 8" to Sides (5.2m long)	20	PC'S		
	Timber 1" X 5" (Plates)	7	PC'S		
	Timber 2" X 2"	15	PC'S		
	Supporting Props	35	PC'S		
	<b>SUB-TOTAL SUPER STRUCTURE</b>				
<b>C.</b>	<b>ROOF STRUCTURE &amp; COVERING</b>				
1	<b><u>Roof Structure - Provisional</u></b>				
	Timber 2" X 3" purlins	355	FT		
	Timber 2" X 4" King Post, wall plate and struss	565	FT		
	Timber 2" X 6" Rafter and Tie beam	552	FT		
	Fascia board 1" X 10" (5.2m long)	10	PC'S		
	Nails -5"	20	Kgs		
	Nails -4"	10	Kgs		
	Nails -3"	8	Kgs		
	<b>NOTE:</b> The above softwood timber structure should be pressure impregnated treated				
2	<b><u>Roof Covering</u></b>				
	28G IT resincoated sheet	101	M <sup>2</sup>		
	Hips/Ridge - 28 G	7	PC'S		
	Roofing Nails	8	Box		
	<b>TO COLLECTION</b>			<b>C/F</b>	

ITEM	DESCRIPTION	QTY	UNIT	PRICE-TZS	AMOUNT
				<b>B/F</b>	
3	<b>Gutter's -Provisional</b>				
	Upvc 125mm half round (6m long)-5"	3	PC'S		
	Upvc 100mm diametre down pipe; Class B	2	PC'S		
	PVC outlet	2	PC'S		
	PVC bend 90'	2	PC'S		
	PVC bend 45'	4	PC'S		
	Gutter support	13	PC'S		
	Gutter Clamp 3"	6	PC'S		
	Connector/reducer	2	PC'S		
	End cap 5"	2	PC'S		
	<b>SUB-TOTAL ROOF STRUCTURE &amp; COVERING</b>				
<b>E.</b>	<b><u>CEILING</u></b>				
	Gypsum board -12mm thick	22	PC'S		
	Plain Cornice	34	PC'S		
	Gypsum Screw 1" 800pcs/box	3	Box		
	Screw 1.25" 800pcs/box	1	Box		
	Gypsum powder	5	Bags		
	Fibre tape	2	Pcs		
	Treated softwood Timber 2" X 2"	1,017	FT		
	Nails 4"	11	Kgs		
	Nails 3"	13	Kgs		
	PVC ceiling with its fittings -	36	Pc's		
	<b>SUB-TOTAL FOR CEILING</b>				
<b>F.</b>	<b><u>DOOR</u></b>				
1	<b>45mm thick Pannelled door shutter</b>				
	1200 x 2100mm high	1	PC'S		
	1000 x 2100mm high	5	PC'S		
				<b>C/F</b>	

ITEM	DESCRIPTION	QTY	UNIT	PRICE-TZS	AMOUNT
				B/F	
2	<b><u>Frames (hardwood),Varnish, Glass &amp; Burglar bar</u></b>				
	1200 x 2500mm high	1	PC'S		
	1000 x 2500mm high	5	PC'S		
	4mm thick clear glass to Vents	3	M <sup>2</sup>		
	16 mm burglar bars	2	PC'S		
	Brush 3"	2	Pcs		
	Sand paper (msasa) No.80	10	LM		
	Clear Varnish - 4Litres	1	TIN		
	Thinner for Varnish -4Litres	1	Litres		
3	<b><u>IronMongeries</u></b>				
	Mortice lock Three lever - ref: union	6	No		
	Brass hinges - 100mm	10.5	Pairs		
	Barrel bolt - 150mm	1	No		
	<b>SUB-TOTAL FOR DOORS</b>				
<b>G.</b>	<b>WINDOWS</b>				
1	<b><u>Supply and fix Aluminium Windows 2mm thick frem with fibre glass, Mosquitoe gauze and its ironmongeries</u></b>				
	1800 X 1500mm high -W1	4	PC'S		
	1200 X 1500mm high -W2	1	PC'S		
	900 X 1500mm high - W3	3	PC'S		
	900 X 1000mm high - W4	1	PC'S		
	600 X 1000mm high - W5	1	PC'S		
2	<b><u>Supply and fix 4mm thick flat bar grill painted red-oxide</u></b>				
	1800 X 1500mm high -W1	4	PC'S		
	600 X 1000mm high - W5	1	PC'S		
	1200 X 1500mm high -W2	1	PC'S		
	1000 x 2500 mm high - D2	2	PC'S		
	<b>SUB-TOTAL FOR WINDOWS</b>				

SCHEDULE OF MATERIALS

MATERNITY AND DELIVERY - (GROSS FLOOR AREA = 82 SQ.M)

<b>H.</b>	<b>FINISHING</b>				
1	<b><u>Floor finishing</u></b>				
	Sand	3	M <sup>3</sup>		
	Cement-50kgs	21	Bags		
	600 x 600Non slippery Porcelain floor tiles (1.46 Sqm/Box)	49	Box		
	Skirting (600 mm long; 25No/Box)	6	Box		
	Grout	2	Packet		
	Spacer	2	Packet		
2	<b><u>Wall Finishing</u></b>				
	Sand	4	M <sup>3</sup>		
	Cement-50kgs	25	Bags		
	White cement - 50kg	2	Bags		
	Gypsum powder	3	Bags		
	Sand paper (msasa) No.120	0.5	Roll		
	200 X 300 Wall tiles to toilets full height (0.96Sqm/Box)	30	Box		
	Grout	3	Packet		
	Spacer	1	Packet		
	<b>SUB-TOTAL FOR FINISHING</b>				
<b>J.</b>	<b>PAINTING &amp; DECORATION</b>				
	Emulsion Paint - 20 LTRS	4	buckets		
	Weather guard Paint - 20 LTRS	2	buckets		
	Washable paint -20 LTRS	1	buckets		
	Primer paint -20 LTRS	2	buckets		
	Solvent - 5LTRS	1	TIN		
	Brush 3"	2	Pcs		
	Roller	3	Pcs		
	Gloss paint-4LTR	1	TIN		
	Bitumen paint - 4Litres	1	TIN		
	<b>SUB-TOTAL FOR PAINTING&amp;DECORATION</b>				

SCHEDULE OF MATERIALS

MATERNITY AND DELIVERY - (GROSS FLOOR AREA = 82 SQ.M)

ITEM	DESCRIPTION	QTY	UNIT	PRICE-TZS	AMOUNT
<b>J.</b>	<b>ELECTRICAL INSTALLATION</b>				
1	Single flourescent fiiting, approved philips or equal	7	No		
2	Double switch sorcket	7	No		
3	Main switch 12way,3PH with intergral RCD as MEM or equal	1	No		
4	Single core wire 1.5sqmm -Red	3	Roller		
5	Single core wire 1.5sqmm -Black	2	Roller		
6	Single core wire 1.5sqmm -green	2	Roller		
7	Single core wire 2.5sqmm -Red	1	Roller		
8	Single core wire 2.5sqmm -Black	1	Roller		
9	Single core wire 2.5sqmm Green	1	Roller		
10	Ceilling fan, approved National or equal	3	PC'S		
11	16mmsq 4 core cable	20	M		
12	1gang one way switch	1	No		
13	2gang two way switch	6	No		
14	Cooker control unit -45A	0	No		
15	TV socket	1	No		
16	Gypsum light complete with energy saver 18w	3	No		
17	Earth rod approved copper not less than 1200mm	1	No		
18	Earth wire 4sqmm	20	M		
19	Plastic clips	3	BOX		
20	Conduit pipe	80	PC		
21	Metal box double	7	PC		
22	Metal box single	8	PC		
23	Round cover	20	PC		
24	Round box	20	PC		
25	Junction box	30	PC		
26	Elbow	25	PC		
27	Conduit coupling	20	PC		
28	Fine screw	5	Packets		
	<b>SUB-TOTAL FOR ELECTRICAL INSTALLATION</b>				



SCHEDULE OF MATERIALS

MATERNITY AND DELIVERY - (GROSS FLOOR AREA = 82 SQ.M)

ITEM	DESCRIPTION	QTY	UNIT	PRICE-TZS	AMOUNT
<b>L.</b>	<b>PLUMBING &amp; SANITARY INSTALLATION- PROVISIONAL</b>				
1	PVC pipe 4" class C	6	M		
2	PVC pipe 1 1/4"	6	M		
3	PVC pipe 1 1/2"	6	M		
4	Polypipe 3/4"	15	M		
5	Connector 3/4" HDPE	2	pc		
6	Connector 1" HDPE	1	pc		
7	Tee connector 3/4" HDPE	3	pc		
8	IPS Elbow 1/2"	8	PC'S		
9	IPS tee 1/2"	10	PC'S		
10	IPS nipple 1/2"	10	PC'S		
11	IPS socket 1/2"	5	PC'S		
12	IPS reducing bush 3/4" - 1/2"	3	PC'S		
13	IPS socket reducing 3/4" - 1/2"	1	PC'S		
14	Flexible pipe;	3	PC'S		
15	Toilet shower shataf	1	PC'S		
16	stop cock pex 3/4"	5	PC'S		
17	stop cock pex 1/2"	1	PC'S		
18	Bib tap PEX 1/2"	4	PC'S		
19	Angle valve	4	PC'S		
20	PVC tee 1 1/2"	2	PC'S		
21	PVC tee 1 1/4"	2	PC'S		
22	PVC bend 1 1/4"	2	PC'S		
23	PVC bend 1 1/2"	2	PC'S		
24	PVC bend with inspection eye 4"	1	PC'S		
25	PVC bend 4"	1	PC'S		
26	P-trap 4"	1	PC'S		
27	PVC plug 1 1/4"	2	PC'S		
28	PVC plug 1 1/2"	2	PC'S		
29	PVC socket with female thread 1 1/4"	2	PC'S		
30	PVC socket with female thread 1 1/2"	2	PC'S		
31	Non-trap 1 1/2"	1	PC'S		
32	Tangit	1	TIN		
33	Kitchen sink single bowl complet with all necessary fittings and accessories	2	PC'S		
34	Thread seal tap	10	PC'S		
				<b>B/F</b>	

SCHEDULE OF MATERIALS

MATERNITY AND DELIVERY - (GROSS FLOOR AREA = 82 SQ.M)

ITEM	DESCRIPTION	QTY	UNIT	PRICE-TZS	AMOUNT
				C/F	
36	Shower rose	1	PC'S		
37	WC high level complete with all necessary fittings and accessories	1	PC'S		
38	Toilet aper holder	1	PC'S		
39	Hands wash basin complete with 6" Levers operating for elbow control and its accessories	2	PC'S		
40	Mirror	2	PC'S		
41	Scrub sink complete with pilar tape and all necessary accessories as per approved	1	PC'S		
	<b>SUB-TOTAL FOR PLUMBING AND SANITARY INSTALLATION</b>				

<b><u>GENERAL SUMMARY</u></b>		<b>AMOUNT</b>
		<b>TZS</b>
	<b><u>MATERNITY AND DELIVERY</u></b>	
A.	SUBSTRUCTURE -PROVISIONAL	
B.	SUPERSTRUCTURE	
C.	ROOF STRUCTURE & COVERING	
D.	CEILING	
E.	DOOR	
F.	WINDOWS	
G.	FINISHING	
H.	PAINTING & DECORATION	
J.	ELECTRICAL INSTALLATION	
K.	PLUMBING & SANITARY INSTALLATION-PROVISIONAL	
<b>TOTAL MATERIALS COST</b>		<b>TZS</b>

# **Schedule of Labour**

Na.	AINA YA KAZI	BEI YA UFUNDI - Shs
<b>A</b>	<b><u>Msingi wa Jengo (Sub-structure)</u></b>	
1	Kuseti jengo	
2	Uchimbaji wa msingi	
3	Kufukia	
	<b><u>Kufunga mbao</u></b>	
4	Pembeazoni mwa jamvi	
5	Pembeazoni mwa nguzo	
6	Kuondoa mbao	
	<b><u>Kumwaga zege</u></b>	
7	Chini kwenye msingi wa tofali	
8	Chini kwenye msingi wa nguzo	
9	katika nguzo ya awali	
10	kwenye jamvi	
11	Ujenzi wa tofali (812 No)	
	<b><u>Mawe</u></b>	
12	Upangaji wa mawe na utandazaji wa DPM	
13	Umwagiliaji wa maji	
	<b>Jumla ndogo msingi wa jengo</b>	
<b>B.</b>	<b><u>Kunyanyua jengo (Super-structure)</u></b>	
1	Ujenzi wa tofali za kuta na uwekaji DPC (1466No)	
	<b><u>Kufunga mbao katika:</u></b>	
2	Nguzo mlalo	
3	Nguzo wima	
	<b><u>Kusuka nondo katika:</u></b>	
4	Nguzo mlalo	
5	Nguzo wima	
	<b><u>Kumwaga zege katika:</u></b>	
6	Nguzo mlalo	
7	Nguzo wima	
8	Umwagiliaji wa maji	
<b>C.</b>	<b><u>Kuezeka (Roof structure and covering)</u></b>	
	Kuezeka na ufungaji wa gata	
	<b>Jumla ndogo kunyanyua jengo</b>	
<b>D.</b>	<b><u>Milango</u></b>	
1	Kufitisha fremu za milango	
2	Kufitisha shata za milango pamoja na vitasa	
3	Upakaji wa Varnishi katika milango na fremu	
<b>E.</b>	<b><u>Umalizaaji (Finishing)</u></b>	
	<i>Upigaji wa lipu pamoja na kutengeneza koplo:</i>	
1	Nje ya jengo	
2	Ndani ya jengo	
	<b><u>Sakafu</u></b>	
3	Uwekaji wa sakafu ya kupokea vigae (beds)	
4	Uwekaji wa vigae pamoja na grauti katika sakafu (floor tiles) -	

Na.	AINA YA KAZI	BEI YA UFUNDI - Shs
	<b>Dali:</b>	
6	Ufungaji wa mbao za dali (Branding)	
7	Uwekaji wa dali na mikanda ya gypsum	
8	Uwekaji wa dali ya pvc kuzunguka nyumba kwa nje	
9	Uwekaji wa vigae katika kuta na upakaji grout	
	<b>Jumla ndogo umaliziaji(finishing)</b>	
<b>F.</b>	<b><u>Rangi na Mapambo (Painting &amp; Decoration)</u></b>	
	<b><u>Kupaka rangi mikono mitatu pamoja na skimming katika:</u></b>	
1	Kuta za nje	
2	Kuta za ndani	
3	Dali	
	<b><u>Kupaka rangi mikono mitatu katika:</u></b>	
5	Msingi wa nyumba	
6	Grill za milango na madirisha	
	<b>Jumla ndogo Rangi na mapambo</b>	
<b>G.</b>	<b><u>Umeme (Electrical installation)</u></b>	
1	Usukaji wa umeme awamu ya kwanza - Conduit na Box	
2	Usukaji wa umeme awamu ya pili (2nd fix)-fittings	
	<b>Jumla ndogo Umeme</b>	
<b>H.</b>	<b><u>Mifumo ya maji safi na taka (Water Supply and Sewage system)</u></b>	
1	Ufungaji bomba awamu ya kwanza (Kuchimbia bomba)	
2	Ufungaji bomba awamu ya pili (2nd fix) -fittings	
3	Ufungaji wa Mifumo ya maji ya mvua kwenda kwenye tanki	
	<b>Jumla ndogo Mifumo ya maji safi na taka</b>	

<b>MAJUMUIISHO (SUMMARY)</b>		<b>Shs</b>
A.	Msingi wa Jengo (Sub-structure)	
B.	Kunyanyua jengo (Super-structure)	
C.	Kuezeka (Roof structure and covering)	
D.	Milango	
E.	Umaliziji (Finishing)	
F.	Rangi na Mapambo (Painting & Decoration)	
G.	Umeme (Electrical installation)	
H.	Mifumo ya maji safi na taka (Water Supply and Sewage system)	
	<b>JUMLA KUU Shs.</b>	

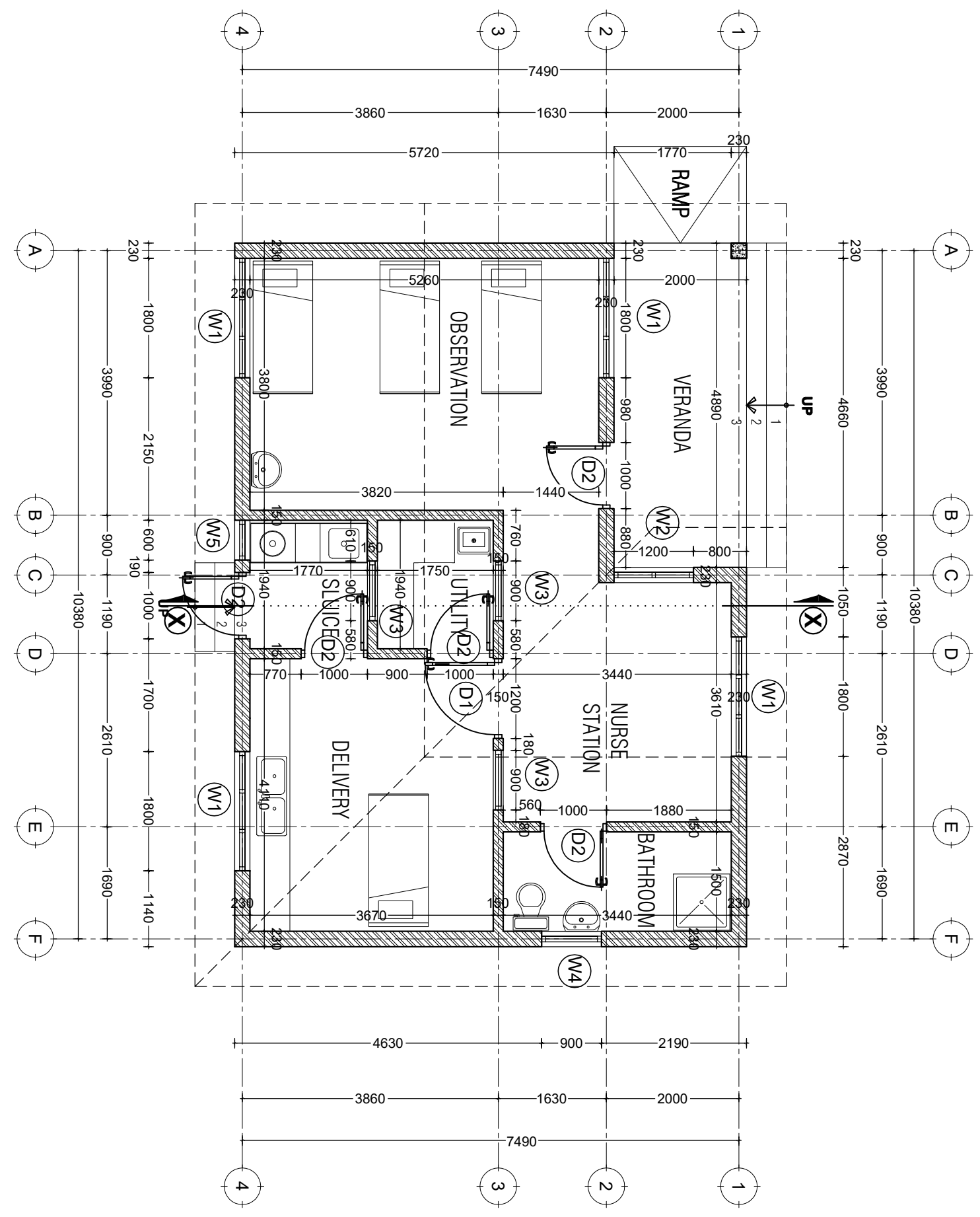
**ANGALIZO:**

Fundi anatakiwa kujaza hii fomu kwa kupitia mchoro wa jengo husika

# Drawings



DOOR & WINDOW SCHEDULE			
NO.	WIDTH	HEIGHT	TOTAL
D1	1200mm	2500mm	1
D2	1000mm	2500mm	5
W1	1800mm	1500mm	4
W2	1200mm	1500mm	1
W3	900mm	1500mm	3
W4	900mm	1000mm	1
W5	600mm	1000mm	1



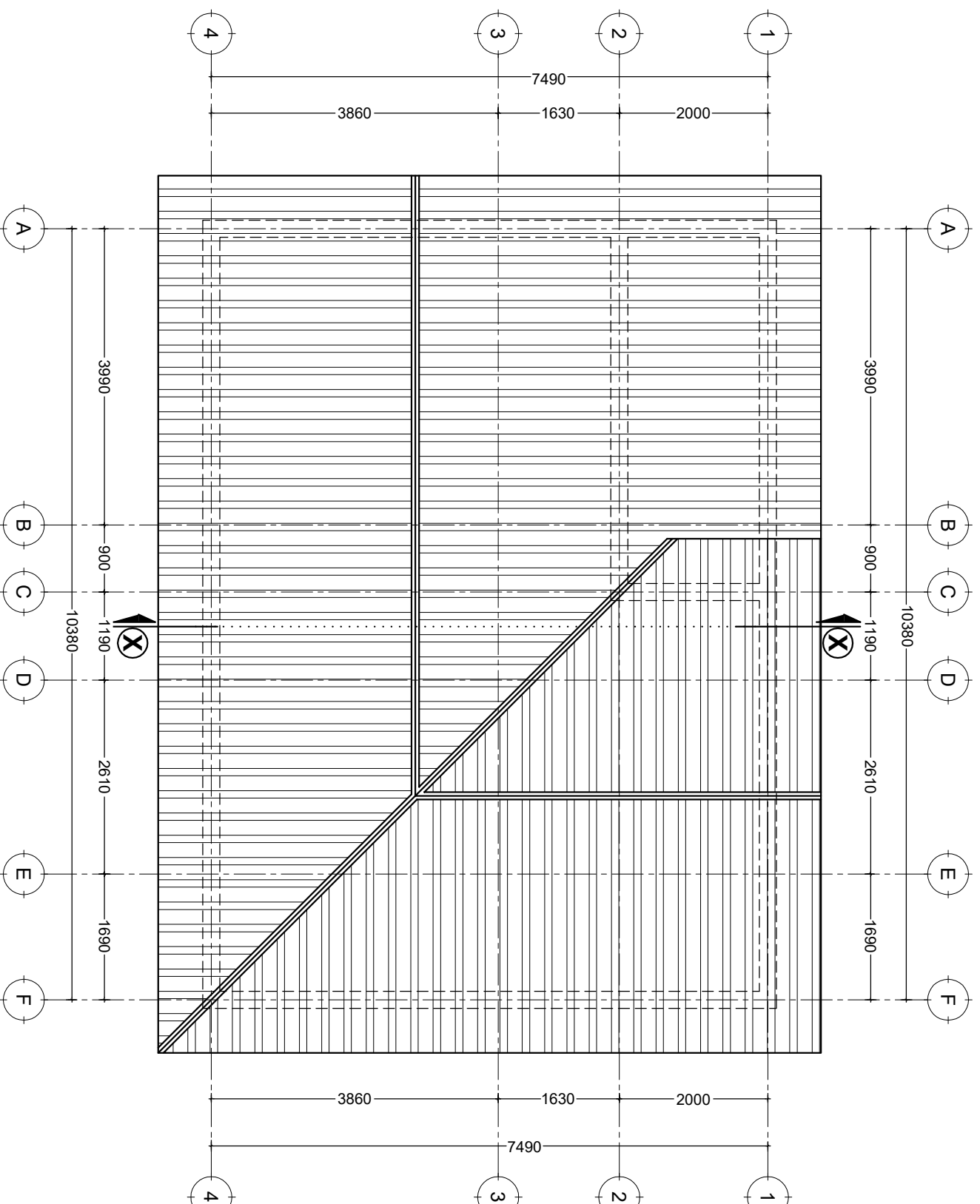
**GROUND PLAN**  
 SCALE: 1:100  
 TOTAL AREA = 82sqm

Building Section  
 Policy and Planning Department  
 Ministry of Health, Community Development,  
 Gender, Elderly and Children  
 University of Dodoma  
 College of Humanities and Social Science | 11th  
 Building,  
 P. O. Box 743,  
 40478 DODOMA

Approved		No.	Revision	Date

Client  
 PRESIDENT'S OFFICE, REGIONAL ADMINISTRATION  
 AND LOCAL GOVERNMENT  
 Project  
 PROPOSED STANDARD DESIGN FOR A DISPENSARY

MATERNITY & DELIVERY Ground Floor Plan			
Project number	2017 / 05 / 02	A I O I	
Date	24 APRIL 2018		
Drawn by	DCNM		
Checked by	DCNM	Scale 1: 100	



# ROOF PLAN

SCALE: 1:100

Building Section  
 Policy and Planning Department  
 Ministry of Health, Community Development,  
 Gender, Elderly and Children  
 University of Dodoma  
 College of Humanities and Social Science | 11th  
 Building,  
 P. O. Box 743,  
 40478 DODOMA

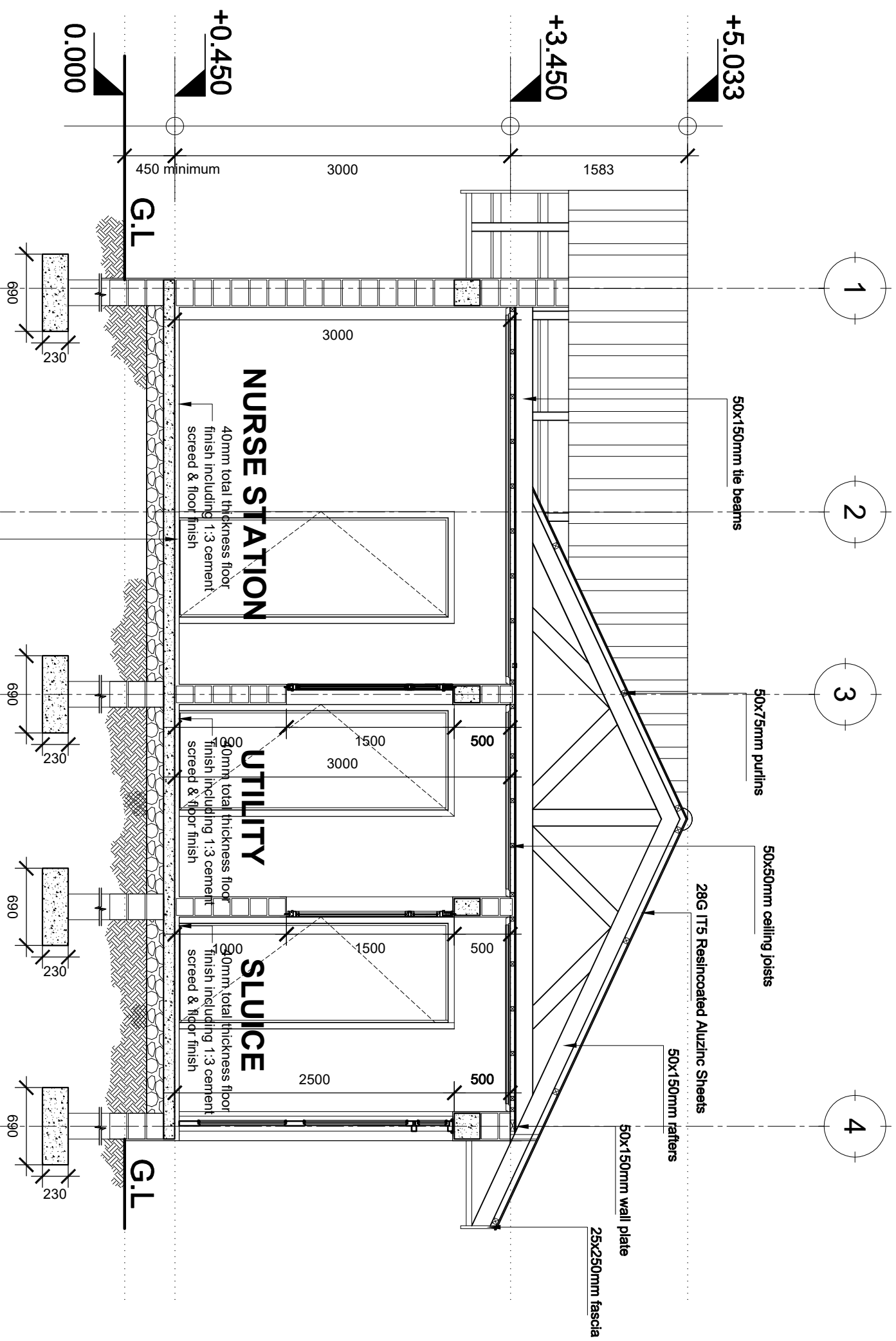
Approved

No.	Revision	Date

Client  
**PRESIDENT'S OFFICE, REGIONAL ADMINISTRATION  
 AND LOCAL GOVERNMENT**  
 Project  
**PROPOSED STANDARD DESIGN FOR A DISPENSARY**

## MATERNITY & DELIVERY Roof Plan

Project number: 2017 / 05 / 02  
 Date: 24 APRIL 2018  
 Drawn by: DCNM  
 Checked by: DCNM  
 Scale: 1 : 100



**SECTION X:X**  
SCALE: 1:50

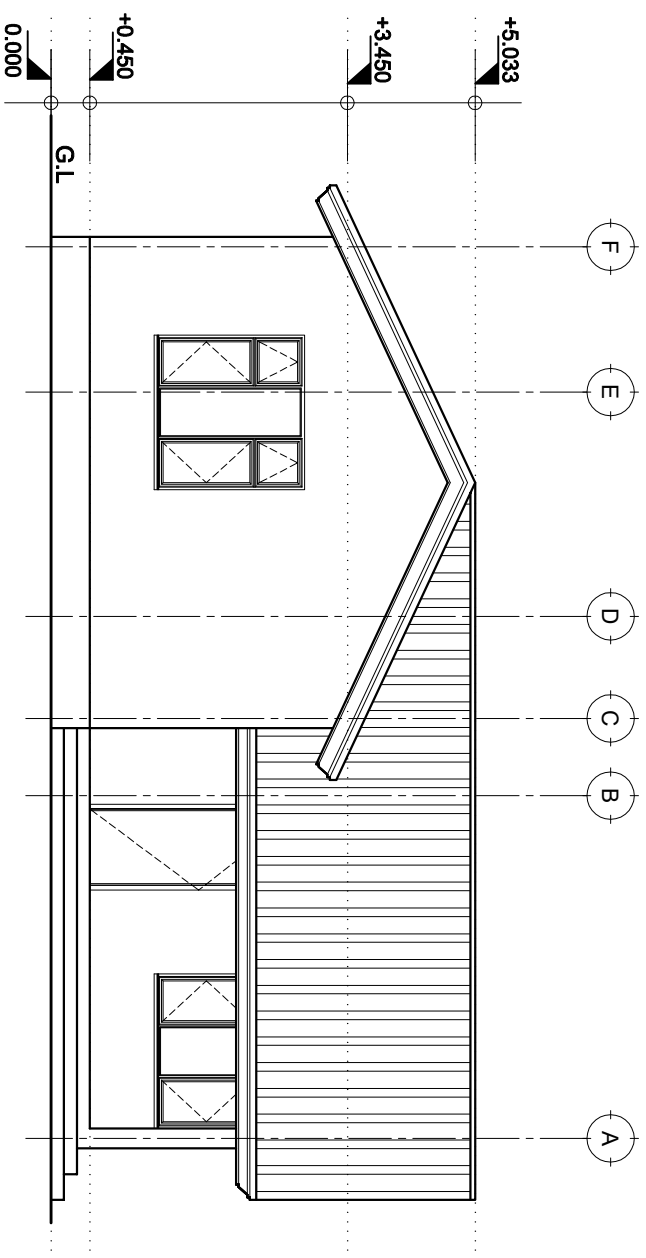
Building Section  
Policy and Planning Department  
Ministry of Health, Community Development,  
Gender, Elderly and Children  
University of Dodoma  
College of Humanities and Social Science | 11th  
Building,  
P. O. Box 743,  
40478 DODOMA

Approved

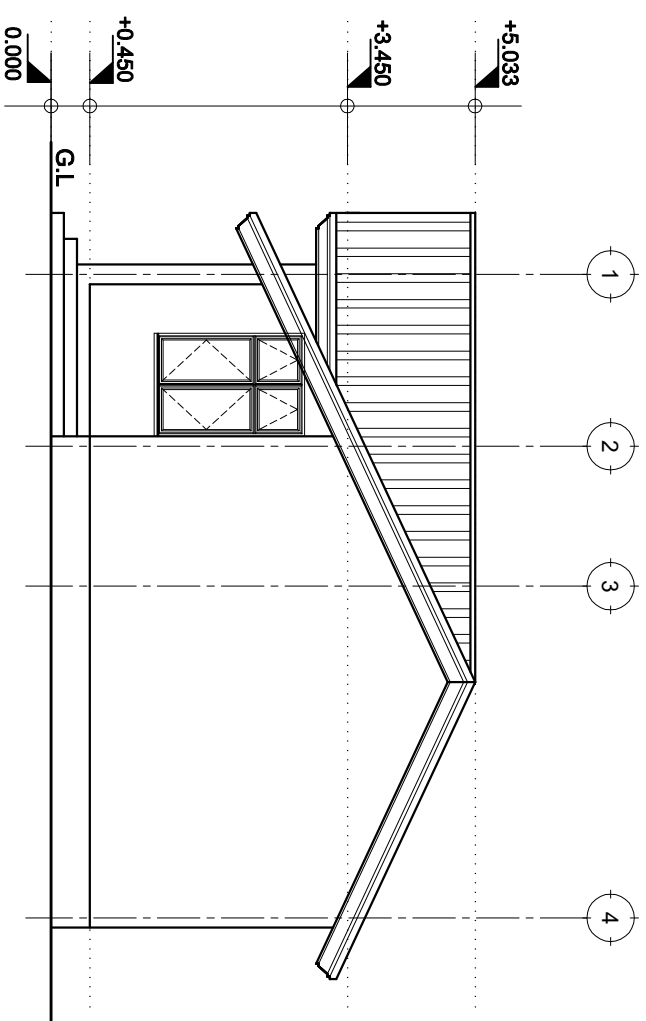
No.	Revision	Date

Client  
**PRESIDENT'S OFFICE, REGIONAL ADMINISTRATION  
AND LOCAL GOVERNMENT**  
Project  
**PROPOSED STANDARD DESIGN FOR A DISPENSARY**

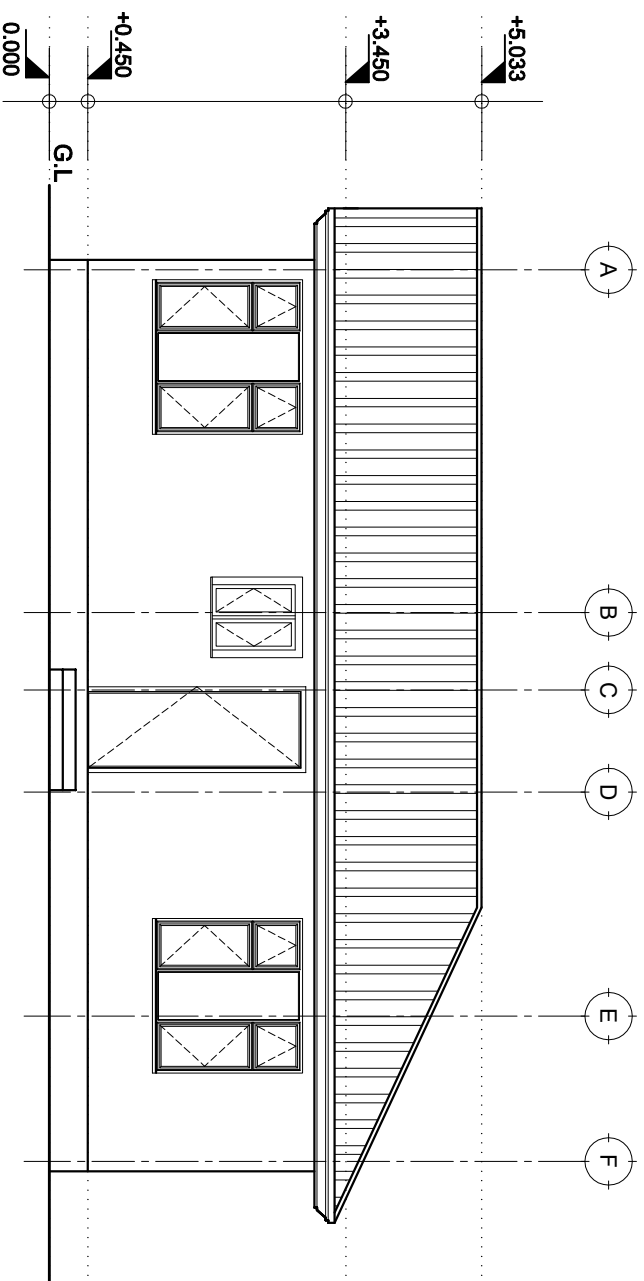
<b>MATERNITY &amp; DELIVERY</b>	
<b>Section X:X</b>	
Project number	2017 / 05 / 02
Date	24 APRIL 2018
Drawn by	DCNM
Checked by	DCNM
Scale	1:50



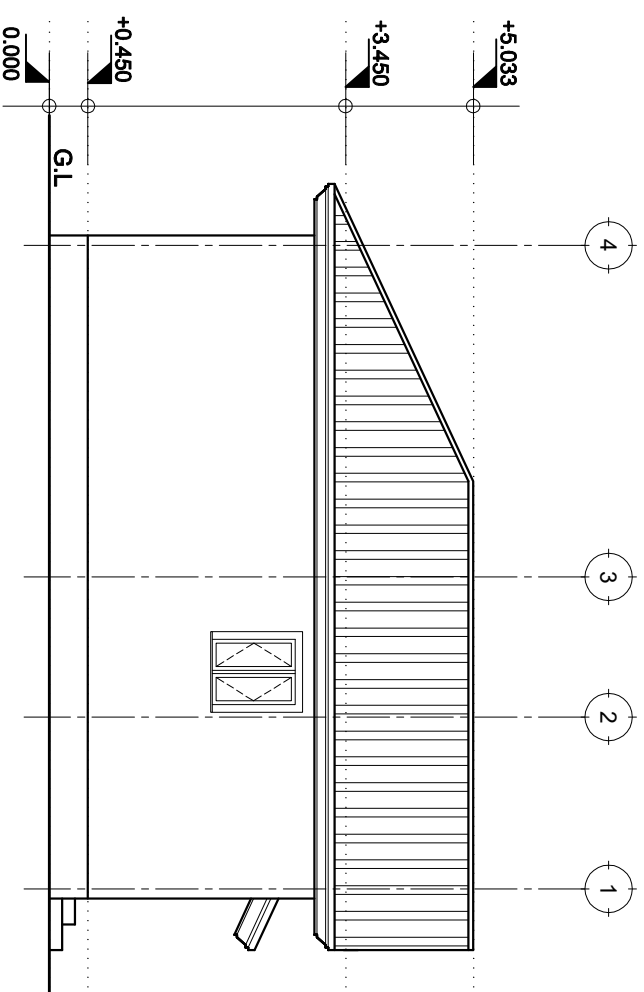
FRONT ELEVATION



RIGHT SIDE ELEVATION



REAR ELEVATION



LEFT SIDE ELEVATION

# ELEVATIONS

SCALE: 1:100

Building Section  
Policy and Planning Department  
Ministry of Health, Community Development,  
Gender, Elderly and Children  
University of Dodoma  
College of Humanities and Social Science | 11th  
Building,  
P. O. Box 743,  
40478 DODOMA

Approved

No. Revision

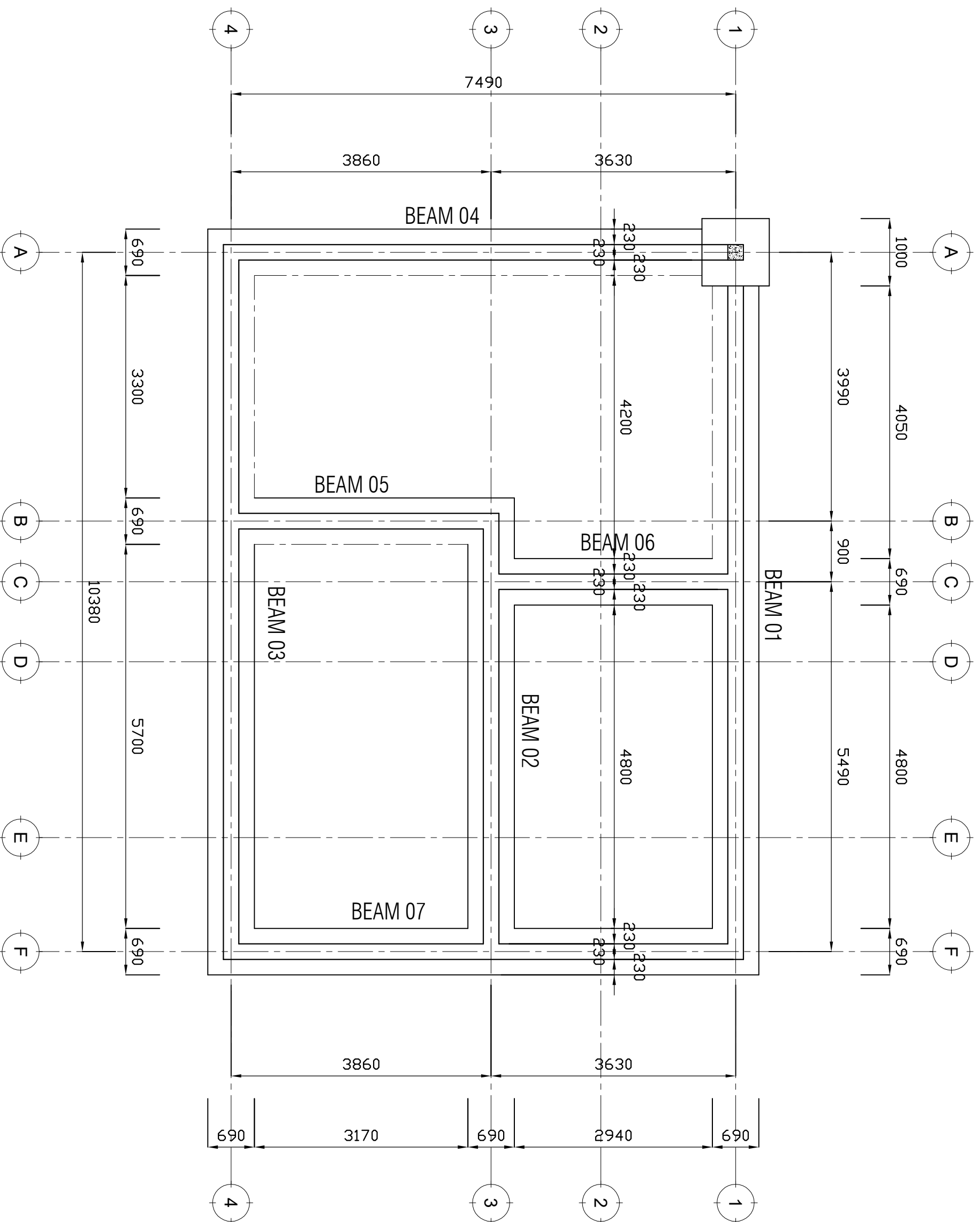
Date

Client  
**PRESIDENT'S OFFICE, REGIONAL ADMINISTRATION  
AND LOCAL GOVERNMENT**  
Project  
**PROPOSED STANDARD DESIGN FOR A DISPENSARY**

**MATERNITY & DELIVERY  
Elevations**

Project number 2017 / 05 / 02  
Date 24 APRIL 2018  
Drawn by DCNM  
Checked by DCNM  
Scale 1:100

A | 04



**NOTE:**

1. All dimensions are in mm unless otherwise specified
2. All discrepancies shall be referred to the structural engineer
3. Reinforced concrete shall be of grade 20 with  $f_{cu}=25N/mm^2$  at 28 days of age
4. Main reinforcements shall be high tensile steel with  $f_y = 460N/mm^2$
5. Nominal cover to the reinforcements:
  - a) Foundation 50mm
  - b) Column 25mm
  - c) Beam 25mm
  - d) Slab 25mm

**PROJECT:**  
**PROPOSED CONSTRUCTION  
 OF DISPENSARY**

**CLIENT:** PRESIDENT'S OFFICE  
 REGIONAL ADMINISTRATIO  
 LOCAL GOVERNMENT

MINISTRY OF HEALTH,  
 COMMUNITY DEVELOPMENT,  
 GENDER AND CHILDREN

**DRAWING TITLE:**

**DELIVERY & MATERNITY  
 FOUNDATION LAYOUT**

Designed by: Eng. R.A.M

Drawn by: Eng. R.A.M

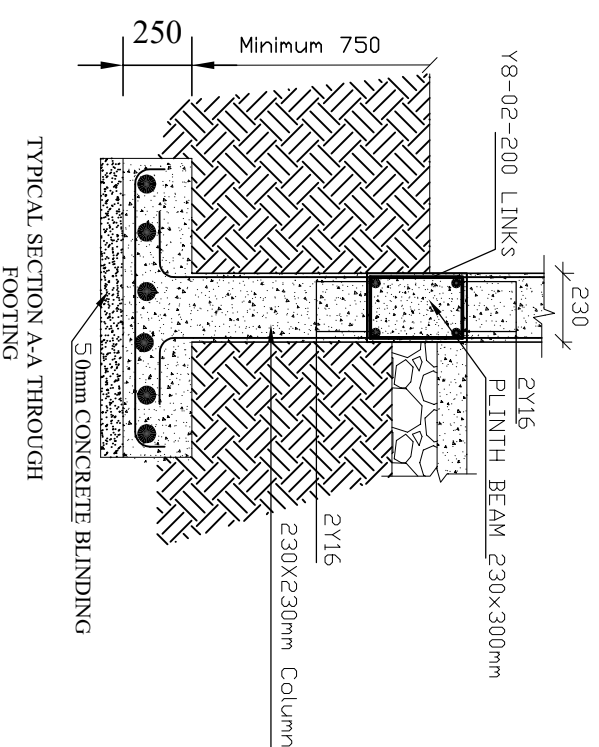
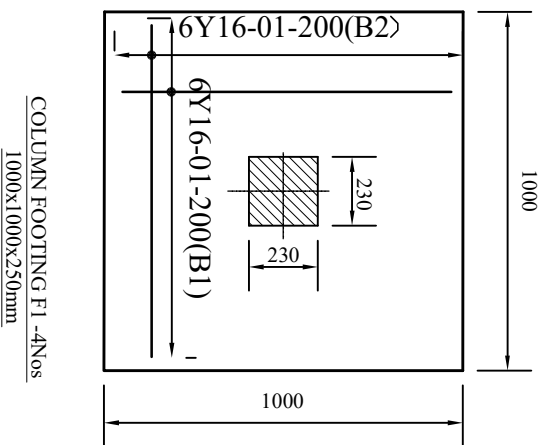
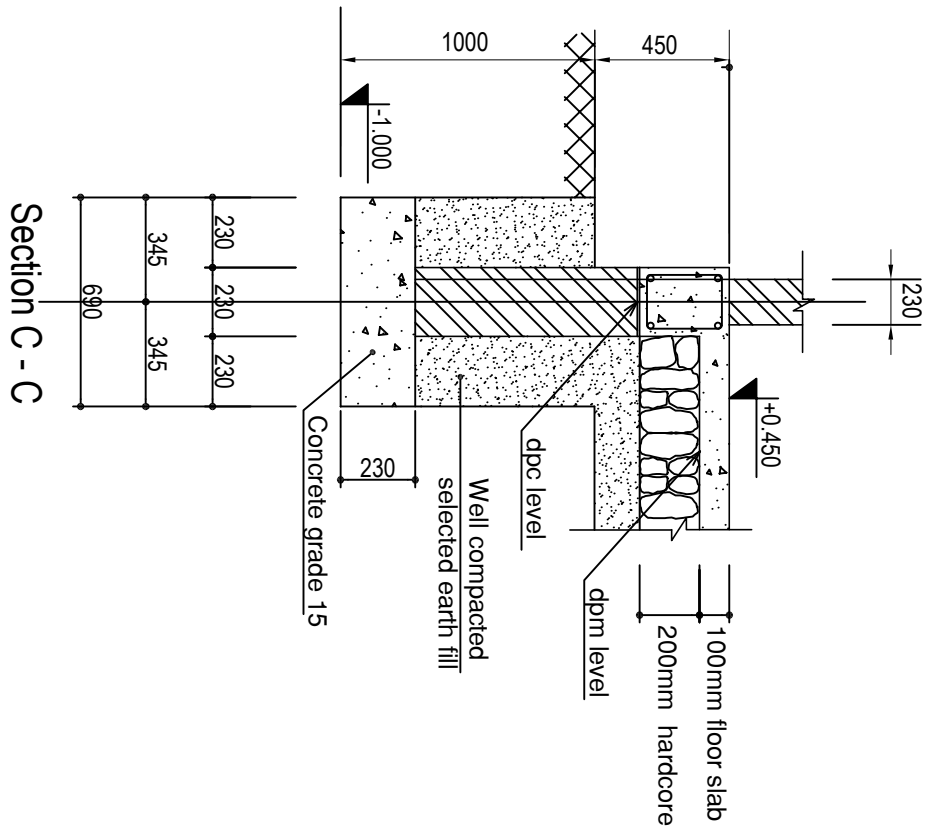
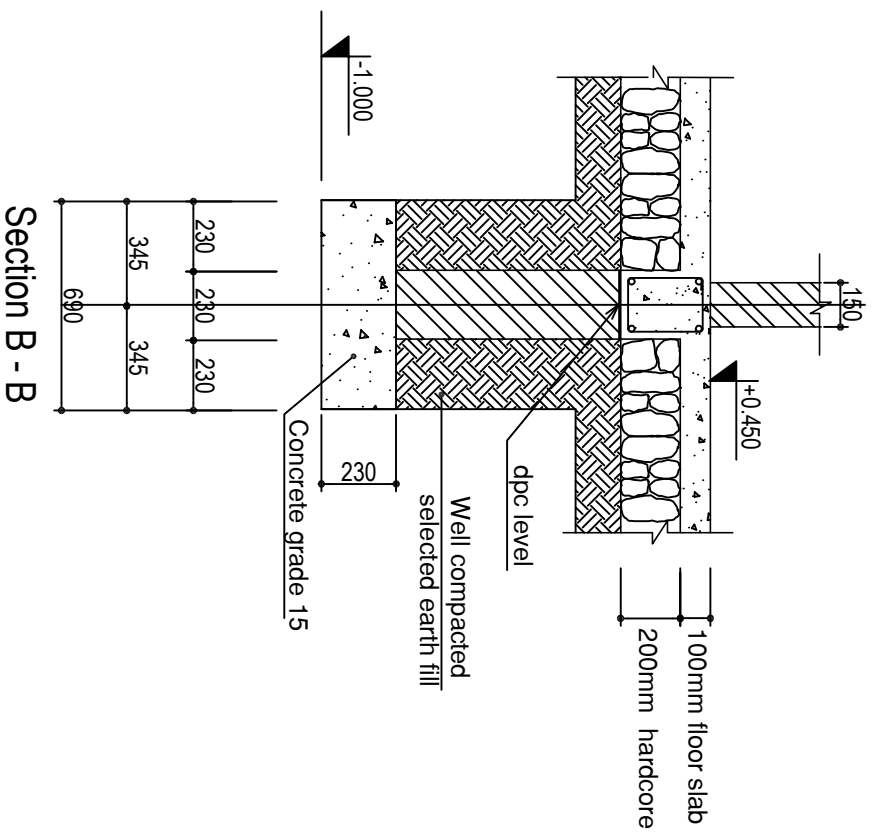
Checked by: Eng. A.NGATOMELA

Approved by:

Date: **2018** Scale:

Drawing No. Sheet:

**STR.101**



- NOTE:**
1. All dimensions are in mm unless otherwise specified
  2. All discrepancies shall be referred to the structural engineer
  3. Reinforced concrete shall be of grade 25 with  $f_{cu}=25N/mm^2$  at 28 days of age
  4. Main reinforcements shall be high tensile steel with  $f_y = 460N/mm^2$
  5. Nominal cover to the reinforcements:
    - a) Foundation 50mm
    - b) Column 25mm
    - c) Beam 25mm
    - d) Slab 25mm

**PROJECT:**  
**PROPOSED CONSTRUCTION OF DISPENSARIES**

**CLIENT:**  
 PRESIDENT'S OFFICE  
 REGIONAL ADMINISTRATION  
 LOCAL GOVERNMENT

**MINISTRY OF HEALTH, COMMUNITY DEVELOPMENT, GENDER, ELDERLY AND CHILDREN**

**DRAWING TITLE:**  
**DELIVERY & MATERNITY WARD FOUNDATION DETAILS**

**Designed by:** Eng. R.A.M

**Drawn by:** Eng. R.A.M

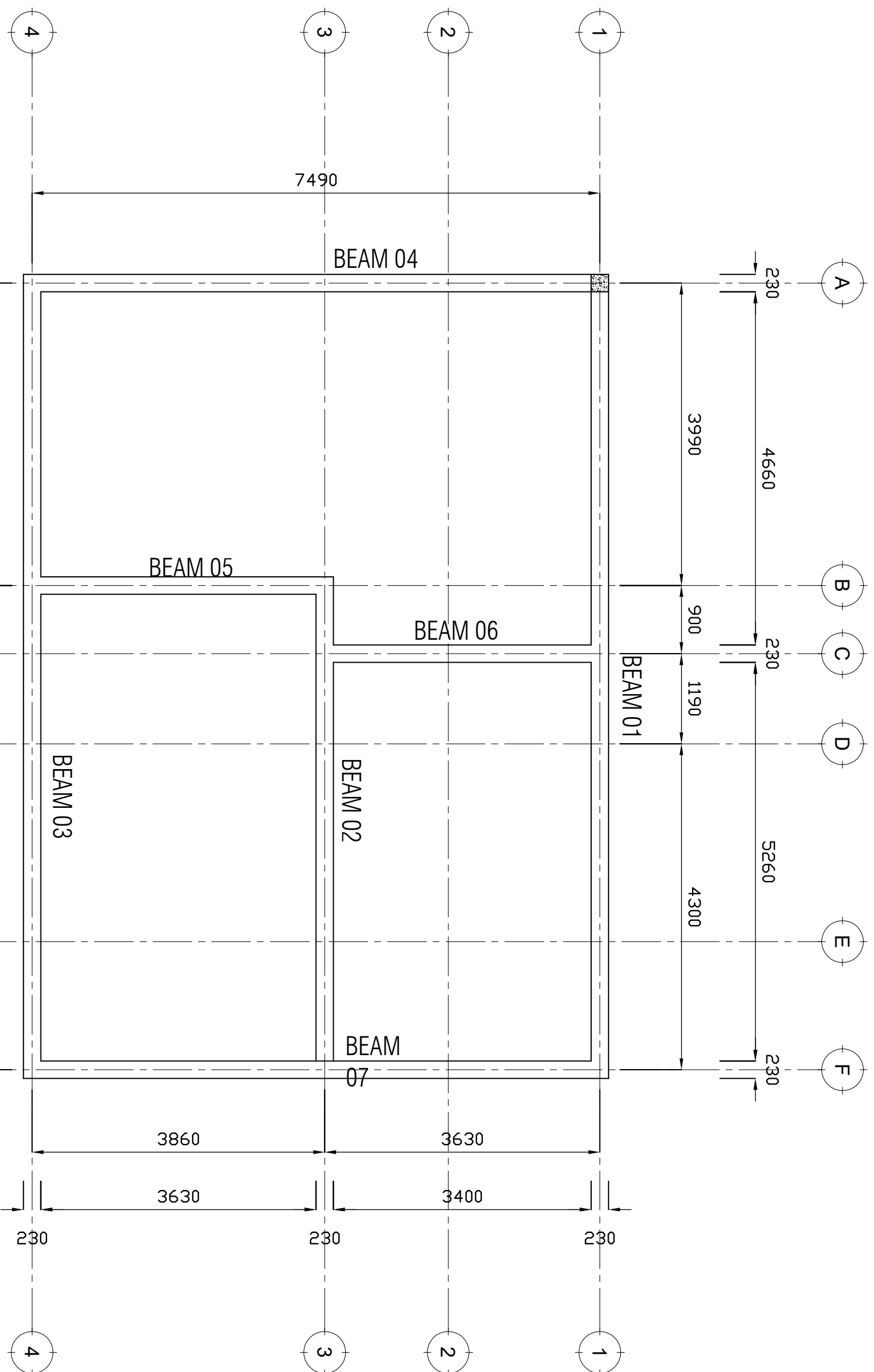
**Checked by:** ENG. A.NGATOMELA

**Approved by:**

**Date:** 2018

**Scale:**

**Drawing No. STR,102** Sheet:



**NOTE:**

1. All dimensions are in mm unless otherwise specified
2. All discrepancies shall be referred to the structural engineer
3. Reinforced concrete shall be of grade 25 with  $f_{cu}=25N/mm^2$  at 28 days of age
4. Main reinforcements shall be high tensile steel with  $f_y = 460N/mm^2$
5. Nominal cover to the reinforcements:
  - a) Foundation 50mm
  - b) Column 25mm
  - c) Beam 25mm
  - d) Slab 25mm

**PROJECT:**  
**PROPOSED CONSTRUCTION  
 OF DISPENSARIES**

**CLIENT:**  
 PRESIDENT'S OFFICE  
 REGIONAL ADMINISTRATION  
 LOCAL GOVERNMENT

MINISTRY OF  
 HEALTH, COMMUNITY  
 DEVELOPMENT, GENDER,  
 ELDERLY AND CHILDREN

**DRAWING TITLE:**  
**IPD PLINTH BEAM LAYOUT**

Designed by: Eng. R.A.M

Drawn by: Eng. R.A.M

Checked by: Eng. A. NGATOMELA

Approved by:

Date: **2018**

Scale:

Drawing No.

**STR,103**

Sheet:

**NOTE:**

1. All dimensions are in mm unless otherwise specified
2. All discrepancies shall be referred to the structural engineer
3. Reinforced concrete shall be of grade 25 with  $f_{cu}=25N/mm^2$  at 28 days of age
4. Main reinforcements shall be high tensile steel with  $f_y = 460N/mm^2$
5. Nominal cover to the reinforcements:
  - a) Foundation 50mm
  - b) Column 25mm
  - c) Beam 25mm
  - d) Slab 25mm

**PROJECT:**

**PROPOSED CONSTRUCTION OF DISPENSARIES**

**CLIENT:**

**PRESIDENT'S OFFICE  
REGIONAL ADMINISTRATION  
LOCAL GOVERNMENT**

**MINISTRY OF  
HEALTH, COMMUNITY  
DEVELOPMENT, GENDER,  
ELDERLY AND CHILDREN**

**DRAWING TITLE:**

**DELIVERY & MATERNITY WARD  
PLINTH BEAM DETAILS**

Designed by: Eng. R.A.M

Drawn by: Eng. R.A.M

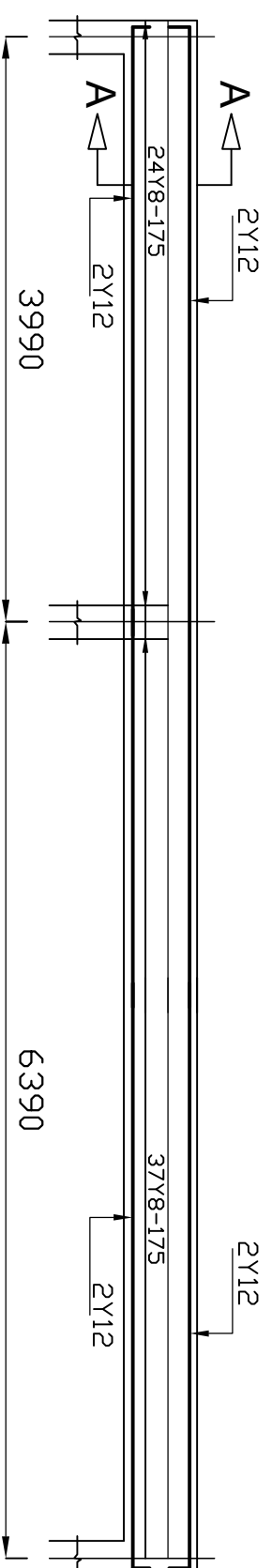
Checked by: Eng. ANGATOMELA

Approved by:

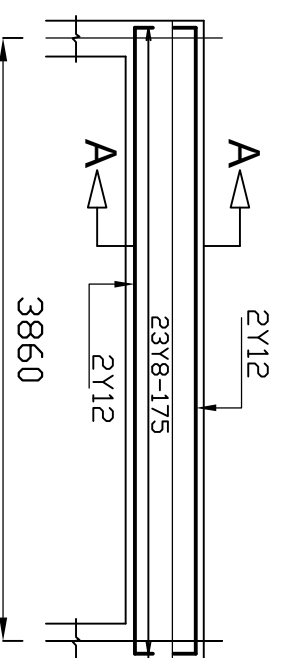
Date: **2018** Scale:

Drawing No. Sheet:

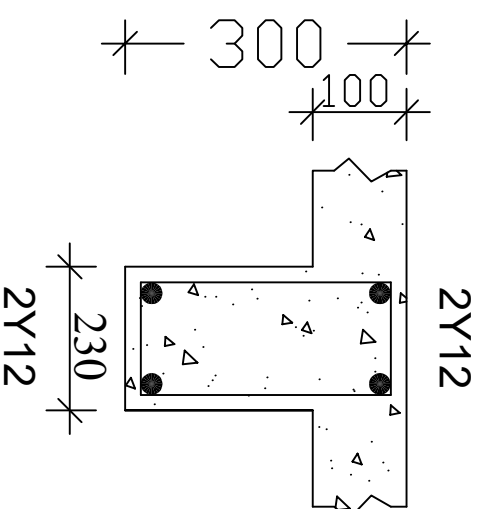
**STR.104**



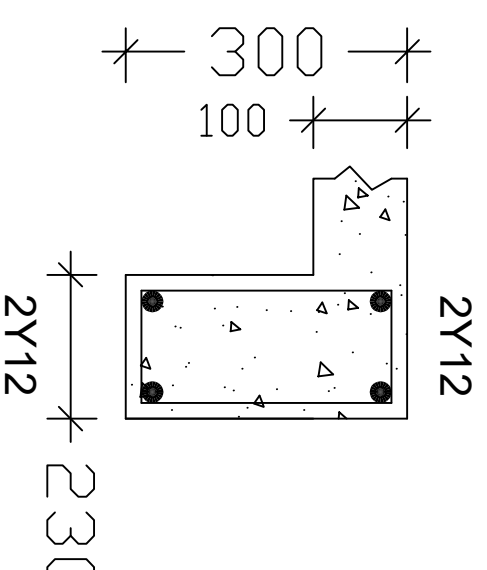
BEAM 01 230x300mm; Use for external walls



BEAM 51 230x300mm; Use for Internal walls

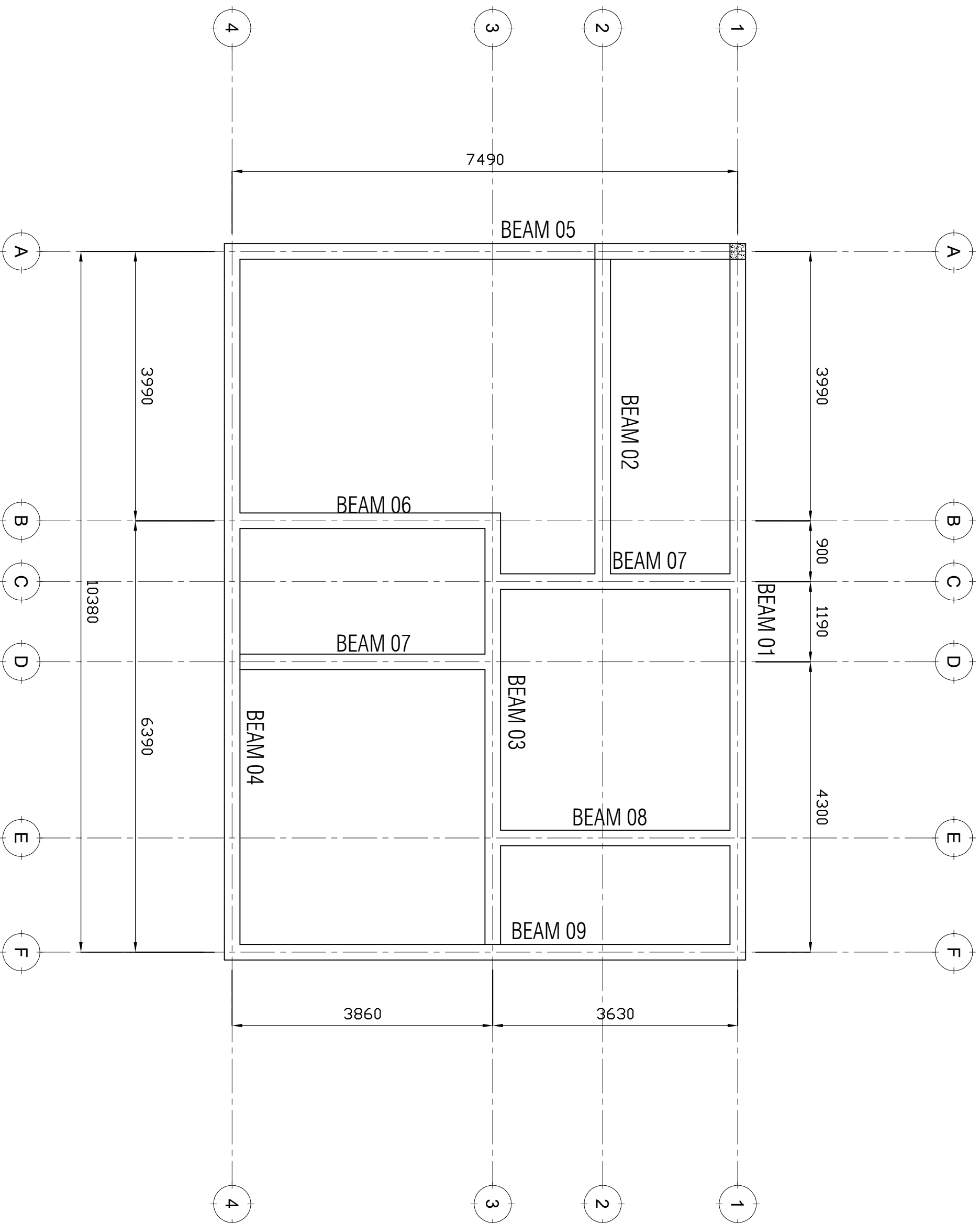


**SECTION A-A**



**SECTION B-B**





**NOTE:**

1. All dimensions are in mm unless otherwise specified
2. All discrepancies shall be referred to the structural engineer
3. Reinforced concrete shall be of grade 25 with  $f_{cu}=25N/mm^2$  at 28 days of age
4. Main reinforcements shall be high tensile steel with  $f_y = 460N/mm^2$
5. Nominal cover to the reinforcements:
  - a) Foundation 50mm
  - b) Column 25mm
  - c) Beam 25mm
  - d) Slab 25mm

**PROJECT:**  
**PROPOSED CONSTRUCTION  
 OF DISPENSARIES**

**CLIENT:**

PRESIDENT'S OFFICE  
 REGIONAL ADMINISTRATION  
 LOCAL GOVERNMENT

MINISTRY OF  
 HEALTH, COMMUNITY  
 DEVELOPMENT, GENDER,  
 ELDERLY AND CHILDREN

**DRAWING TITLE:**

**DELIVERY & MATERNITY  
 WAED RINGBEAM LAYOUT**

Designed by: Eng. R.A.M

Drawn by: Eng. R.A.M

Checked by: Eng. ANGATOMELA

Approved by:

Date: **2018** Scale:

Drawing No. **STR. 105** Sheet:

**NOTE:**

1. All dimensions are in mm unless otherwise specified
2. All discrepancies shall be referred to the structural engineer
3. Reinforced concrete shall be of grade 25 with  $f_{cu}=25N/mm^2$  at 28 days of age
4. Main reinforcements shall be high tensile steel with  $f_y = 460N/mm^2$
5. Nominal cover to the reinforcements:
  - a) Foundation 50mm
  - b) Column 25mm
  - c) Beam 25mm
  - d) Slab 25mm

**PROJECT:****PROPOSED CONSTRUCTION OF DISPENSARIES****CLIENT:**

PRESIDENT'S OFFICE  
REGIONAL ADMINISTRATION  
LOCAL GOVERNMENT

MINISTRY OF  
HEALTH, COMMUNITY  
DEVELOPMENT, GENDER,  
ELDERLY AND CHILDREN

**DRAWING TITLE:  
DELIVERY & MATERNITY  
WARD RING BEAM DETAILS**

Designed by: Eng. R.A.M

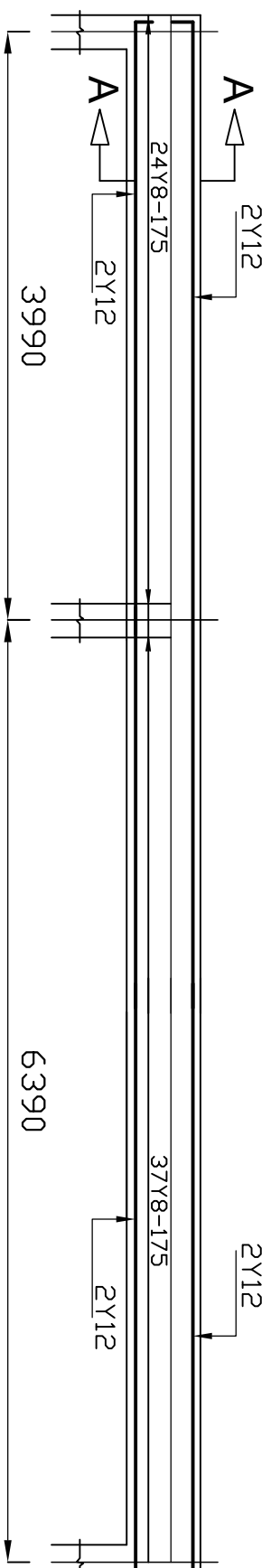
Drawn by: Eng. R.A.M

Checked by: Eng. A.NGATOMELA

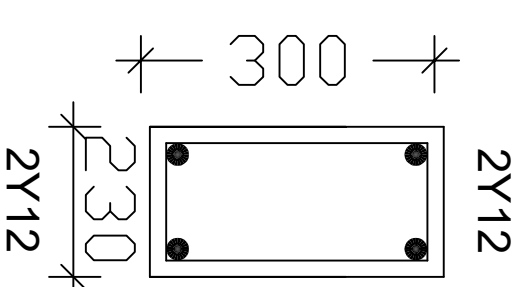
Approved by:

Date: **2018** Scale:

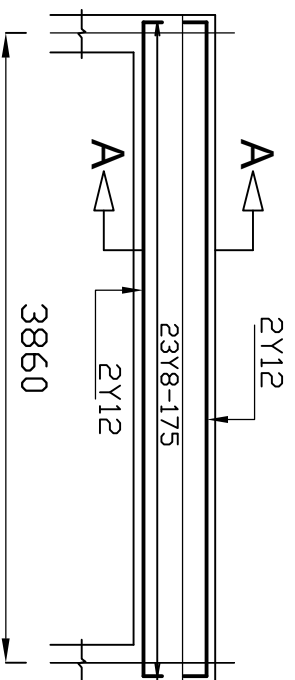
Drawing No. **STR.106** Sheet:



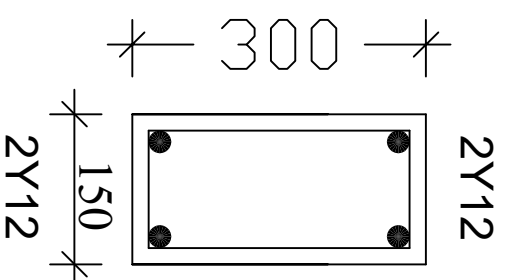
BEAM 01 230x300mm; Use for external walls



SECTION B-B



BEAM 51 230x300mm; Use for Internal walls



SECTION A-A

**NOTE:**

1. All dimensions are in mm unless otherwise specified
2. All discrepancies shall be referred to the structural engineer
3. Reinforced concrete shall be of grade 25 with  $f_{cu}=25N/mm^2$  at 28 days of age
4. Main reinforcements shall be high tensile steel with  $f_y = 460N/mm^2$
5. Nominal cover to the reinforcements:
  - a) Foundation 50mm
  - b) Column 25mm
  - c) Beam 25mm
  - d) Slab 25mm

**PROJECT:****PROPOSED CONSTRUCTION OF DISPENSARIES****CLIENT:**

PRESIDENT'S OFFICE  
REGIONAL ADMINISTRATION  
LOCAL GOVERNMENT

MINISTRY OF  
HEALTH, COMMUNITY  
DEVELOPMENT, GENDER,  
ELDERLY AND CHILDREN

**DRAWING TITLE:**

DELIVERY & MATERNITY  
WARD COLUMNS DETAILS

Designed by: Eng. R.A.M

Drawn by: Eng. R.A.M

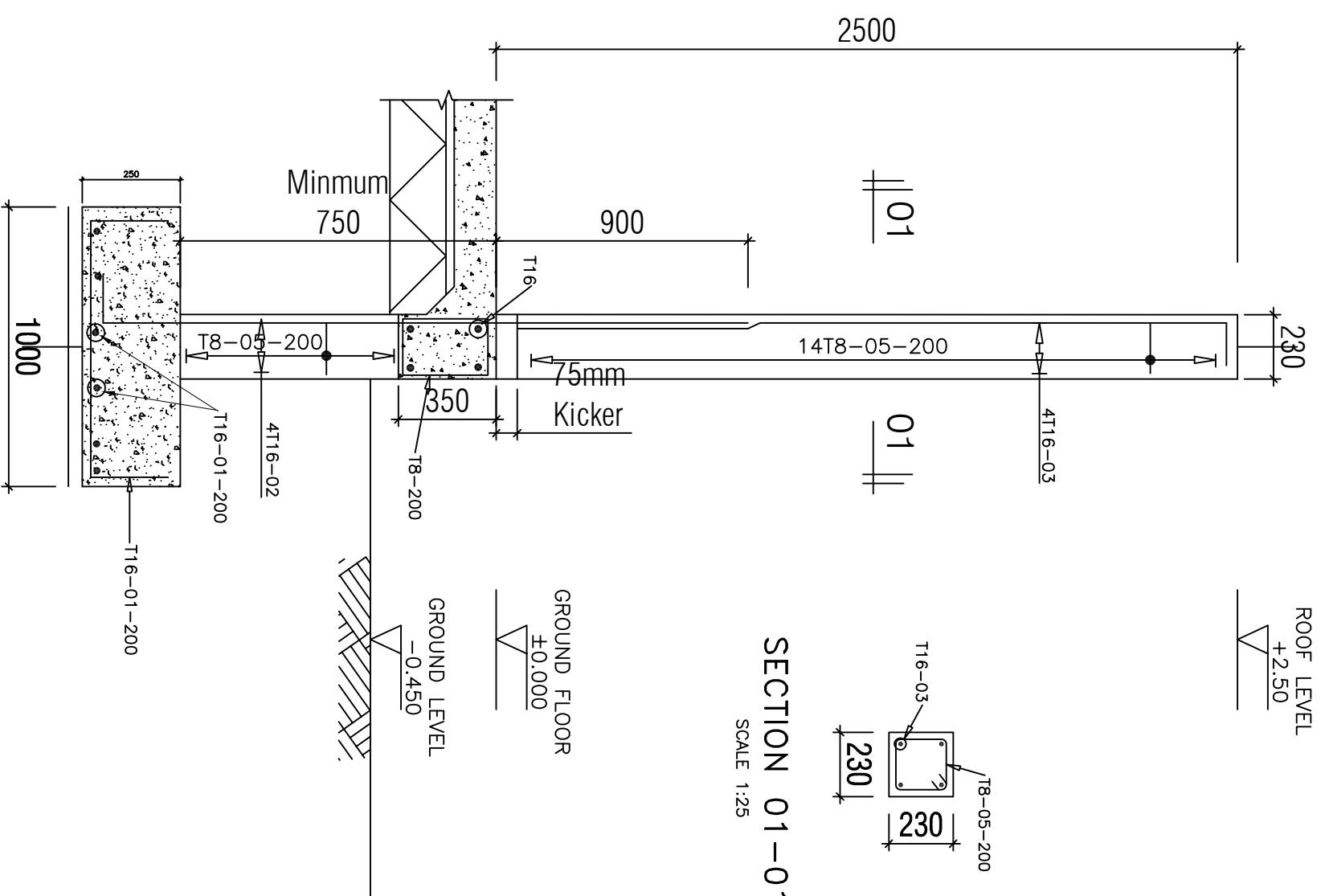
Checked by: Eng. A.NGATOMELA

Approved by:

Date: 2018 Scale:

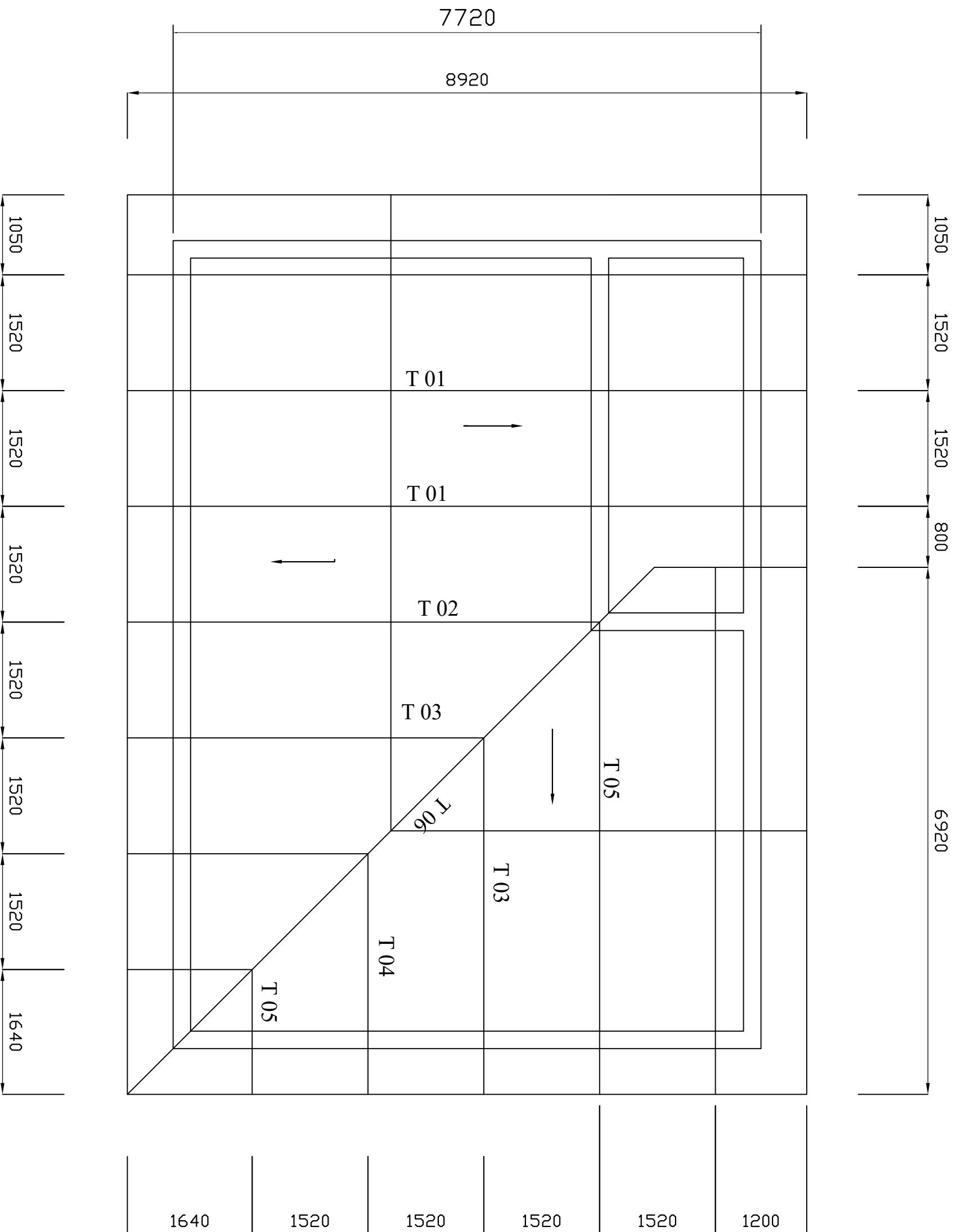
Drawing No. Sheet:

STR.106



COLUMN  
(230x230mm)

SCALE 1:25



- NOTE:**
- All dimensions are in mm unless otherwise specified
  - All discrepancies shall be referred to the structural engineer
  - Reinforced concrete shall be of grade 25 with  $f_{cu}=25N/mm^2$  at 28 days of age
  - Main reinforcements shall be high tensile steel with  $f_y = 460N/mm^2$
  - Nominal cover to the reinforcements:
    - Foundation 50mm
    - Column 25mm
    - Beam 25mm
    - Slab 25mm

**PROJECT:**  
**PROPOSED REHABILITATION  
 OF HEALTH CENTRES**

**CLIENT:**  
 PRESIDENT'S OFFICE  
 REGIONAL ADMINISTRATION  
 LOCAL GOVERNMENT

**MINISTRY OF  
 HEALTH, COMMUNITY  
 DEVELOPMENT, GENDER,  
 ELDERLY AND CHILDREN**

**DRAWING TITLE:**  
**DELIVERY & MATERNITY  
 WARD TRUSS LAYOUT**

Designed by: Eng. R.A.M

Drawn by: Eng. R.A.M

Checked by: Eng. A.NGATOMELA

Approved by:

Date: **2018**

Scale:

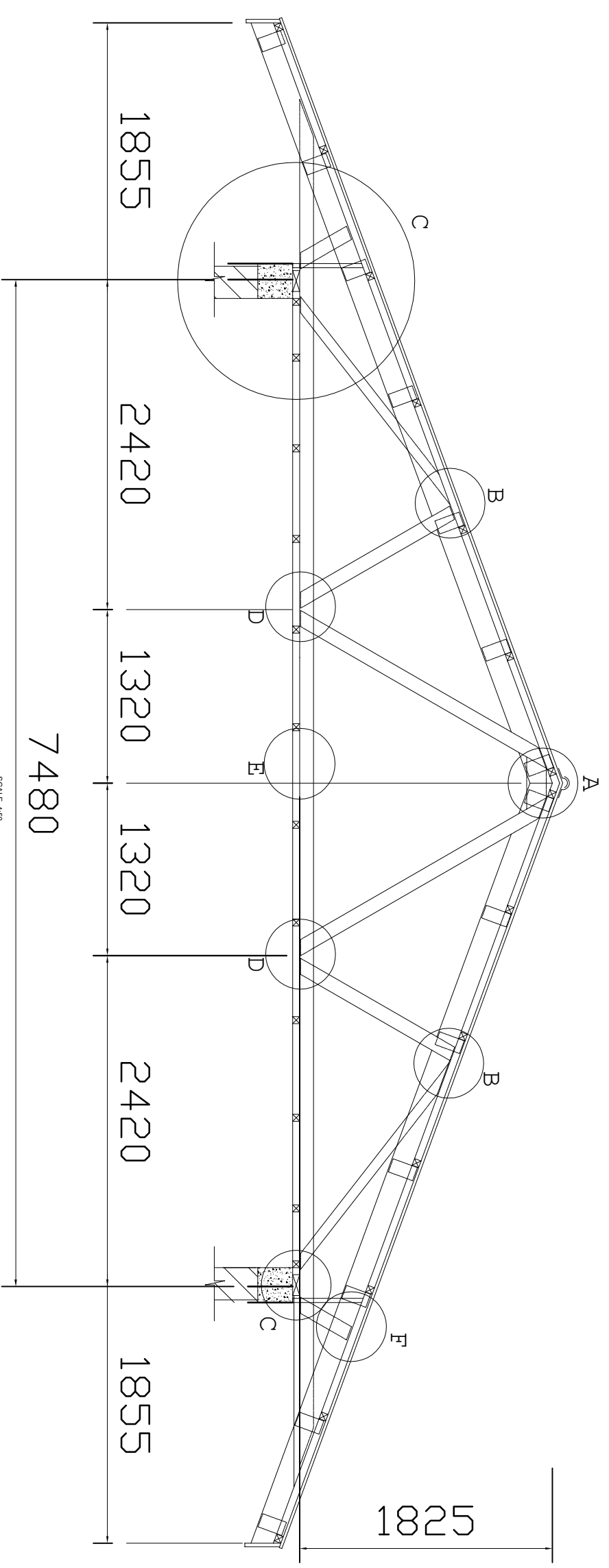
Drawing No.

Sheet:

**STR.107**

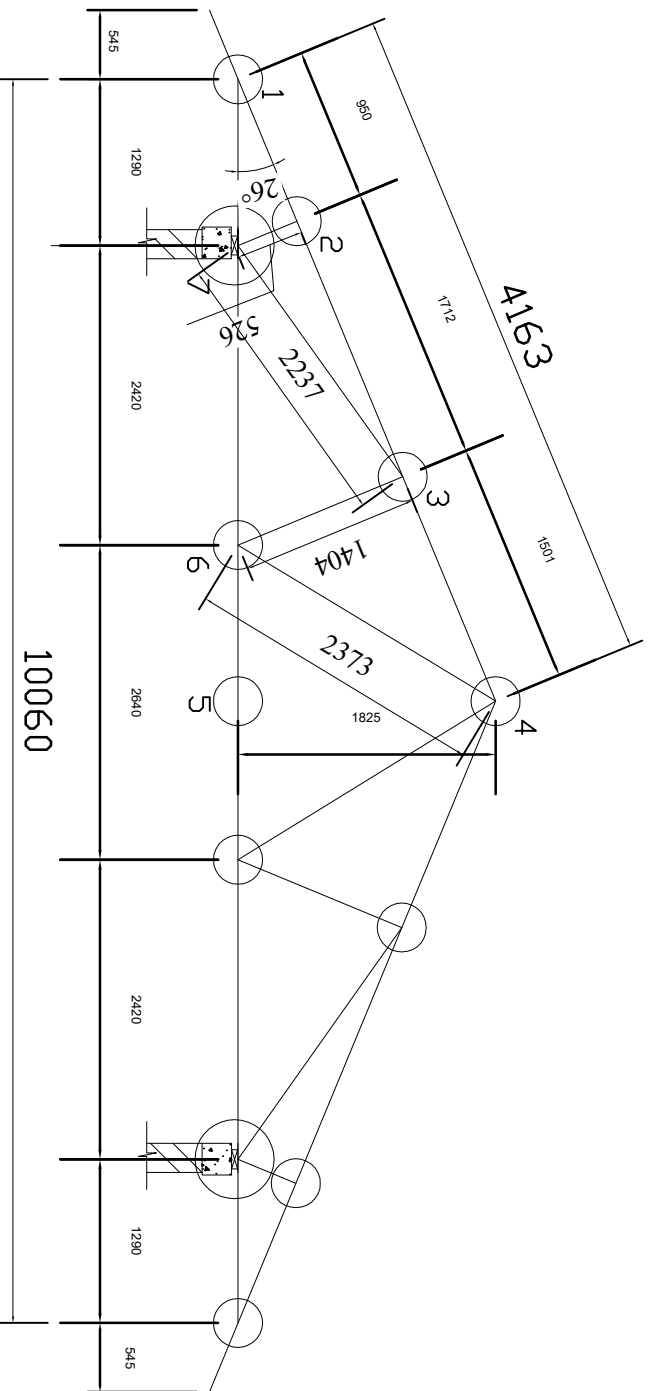
# TRUSS LAYOUT PLAN

- NOTE:**
1. All dimensions are in mm unless otherwise specified
  2. All discrepancies shall be referred to the structural engineer
  3. Reinforced concrete shall be of grade 25 with  $f_{cu}=25N/mm^2$  at 28 days of age
  4. Main reinforcements shall be high tensile steel with  $f_y = 460N/mm^2$
  5. Nominal cover to the reinforcements:
    - a) Foundation 50mm
    - b) Column 25mm
    - c) Beam 25mm
    - d) Slab 25mm

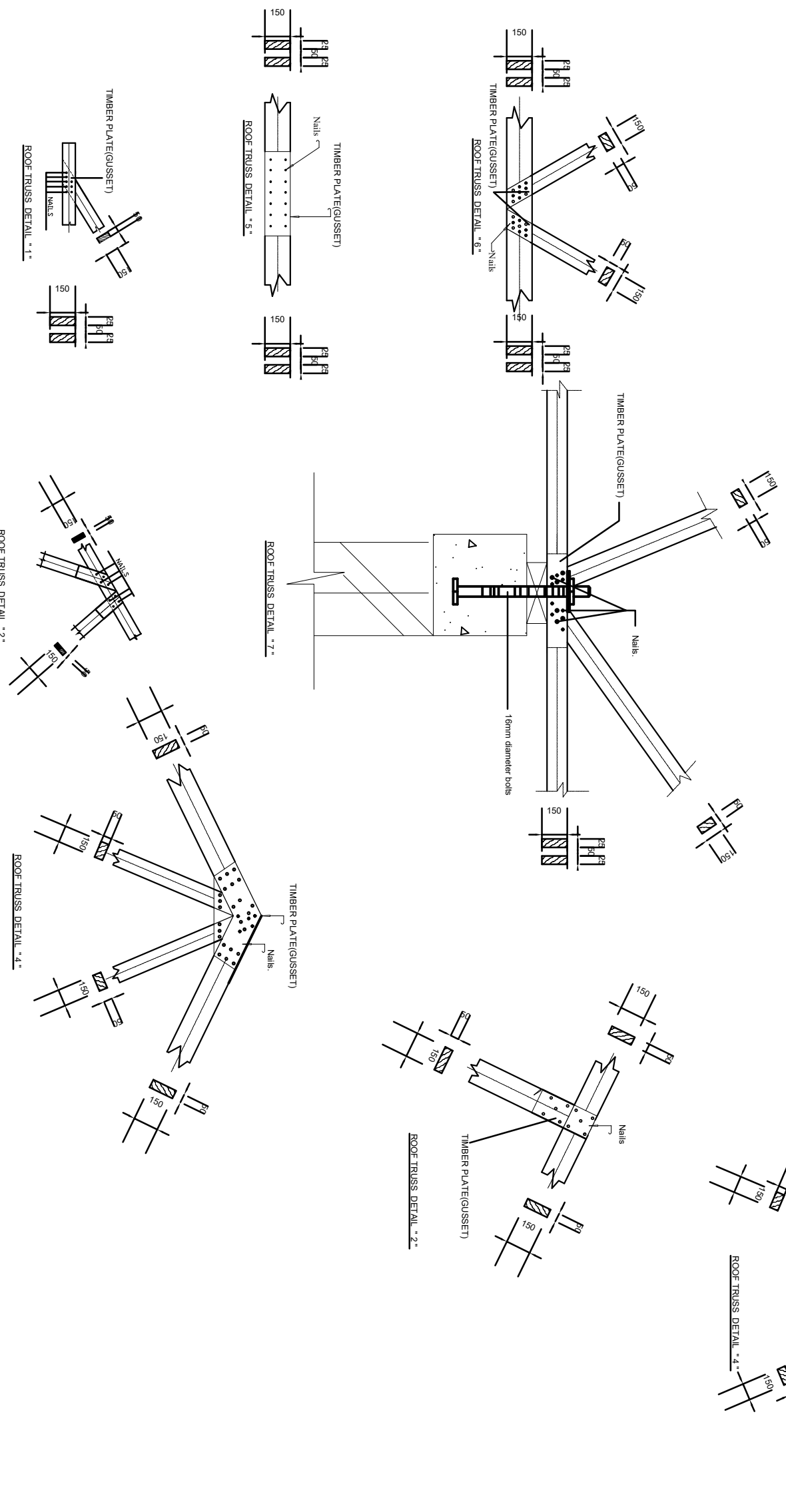


**TYPICAL ROOF TRUSS T01 ; 9Nos.**

<b>PROJECT:</b> <b>PROPOSED REHABILITATION OF HEALTH CENTRES</b>	
<b>CLIENT:</b> PRESIDENT'S OFFICE REGIONAL ADMINISTRATION LOCAL GOVERNMENT	
MINISTRY OF HEALTH, COMMUNITY DEVELOPMENT, GENDER, ELDERLY AND CHILDREN	
<b>DRAWING TITLE:</b> <b>DELIVERY &amp; MATERNITY WARD TRUSS DETAILS</b>	
Designed by:	Eng. R.A.M
Drawn by:	Eng. R.A.M
Checked by:	Eng. A. NGATOMELA
Approved by:	
Date:	2018
Scale:	
Drawing No.	STR.108
Sheet:	



TYPICAL ROOF TRUSS T01 ; 9Nos.



**NOTE:**

1. All dimensions are in mm unless otherwise specified
2. All discrepancies shall be referred to the structural engineer
3. Reinforced concrete shall be of grade 25 with  $f_{cu}=25N/mm^2$  at 28 days of age
4. Main reinforcements shall be high tensile steel with  $f_y = 460N/mm^2$
5. Nominal cover to the reinforcements:
  - a) Foundation 50mm
  - b) Column 25mm
  - c) Beam 25mm
  - d) Slab 25mm

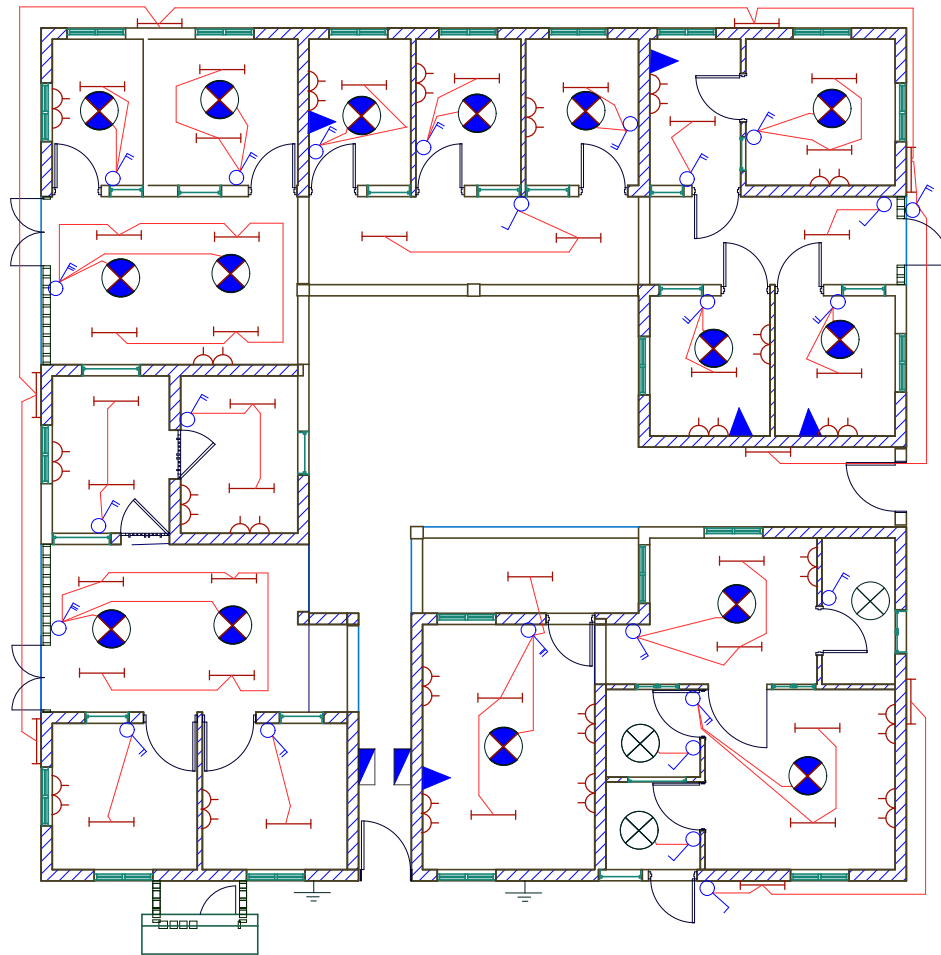
**PROJECT:**  
**PROPOSED CONSTRUCTION OF DISPENSARIES**

**CLIENT:**  
 PRESIDENT'S OFFICE  
 REGIONAL ADMINISTRATION  
 LOCAL GOVERNMENT

MINISTRY OF  
 HEALTH,COMMUNITY  
 DEVELOPMENT,GENDER,  
 ELDERLY AND CHILDREN

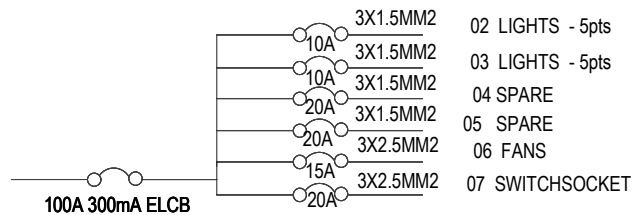
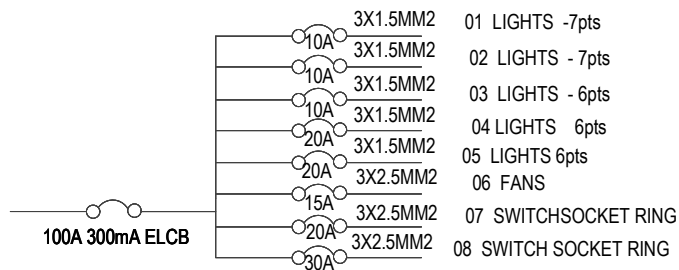
**DRAWING TITLE:**  
**DELIVERY & MATERNITY TRUSS DETAILS AND CONNECTIONS**

Designed by:	Eng. R.A.M
Drawn by:	Eng. R.A.M
Checked by:	Eng. A. NGATOMELA
Approved by:	
Date:	2018
Scale:	
Drawing No.	Sheet:
<b>STR.109</b>	



8WAYS TPN DISTRIBUTION BOARD OPD & RCH

6WAYS SPN DISTRIBUTION BOARD MATERNITY



NOTES:

1. All work to be carried out in strict accordance with local authority requirements and Engineers Registration Board.
2. This drawing may not be scaled. Only figured dimensions and levels may be used.
3. All relevant details, levels, dimensions must be checked on site before commencement of work. Any discrepancies to be reported to the Electrical Engineer office immediately.

No.	Date	Description

Building Section,  
Policy and Planning Department,  
Ministry of Health, Community Development, Elderly and Children  
University of Dodoma,  
College of Humanities and Social Science | 1th Building,  
P.O.Box 743,  
Dodoma

PROJECT NAME

**OPD&RCH,  
MATERNITY&DELIVERY**

PROPOSED DISPENSARY

DRAWING DESCRIPTION

**ELECTRICAL PLAN**

SCALE 1:100	DATE APRIL, 2018	DESIGNED CHENGULA DRAWN CHENGULA CHECKED CHENGULA
DRAWING NUMBER		REVISION