

NOTE:

1. All dimensions are in mm unless otherwise specified
2. All discrepancies shall be referred to the structural engineer
3. Reinforced concrete shall be of grade 25 with $f_{cu}=25N/mm^2$ at 28 days of age
4. Main reinforcements shall be high tensile steel with $f_y = 460N/mm^2$
5. Nominal cover to the reinforcements:
 - a) Foundation 50mm
 - b) Column 25mm
 - c) Beam 25mm
 - d) Slab 25mm

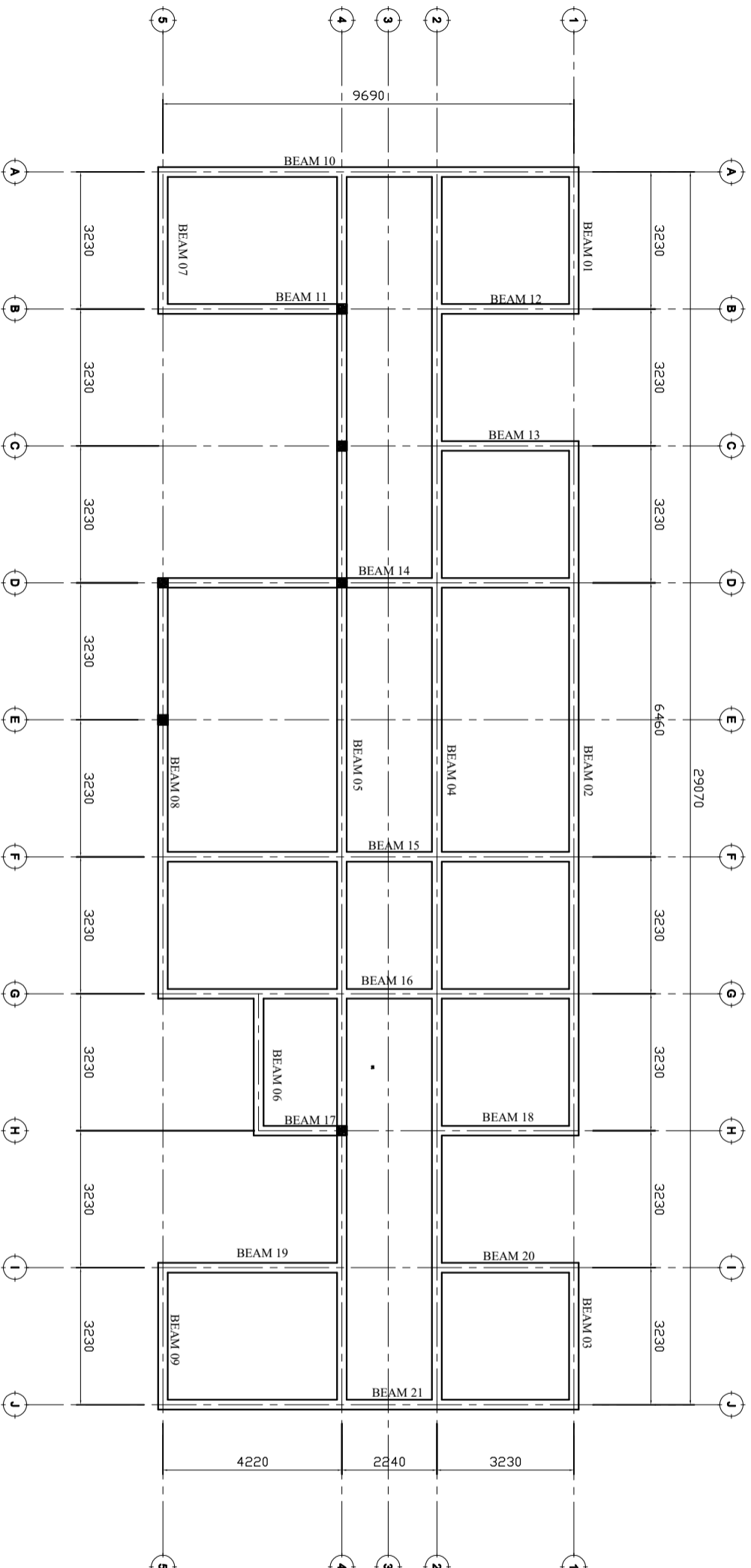
PROJECT:
PROPOSED STANDARD DRAWINGS FOR COUNCIL HOSPITALS IN TANZANIA

CLIENT:
PRESIDENT'S OFFICE REGIONAL ADMINISTRATION LOCAL GOVERNMENT

MINISTRY OF HEALTH, COMMUNITY DEVELOPMENT, GENDER, ELDERLY AND CHILDREN

DRAWING TITLE:
MATERNITY WAITING WARD FOUNDATION DETAILS

Designed by:	Eng. R.A.M
Drawn by:	Eng. R.A.M
Checked by:	ENG. A.NGATOMELA
Approved by:	
Date:	2018
Scale:	
Drawing No.	MWH/S.102
Sheet:	



NOTE:

1. All dimensions are in mm unless otherwise specified
2. All discrepancies shall be referred to the structural engineer
3. Reinforced concrete shall be of grade 25 with $f_{cu}=25N/mm^2$ at 28 days of age
4. Main reinforcements shall be high tensile steel with $f_y = 460N/mm^2$
5. Nominal cover to the reinforcements:
 - a) Foundation 50mm
 - b) Column 25mm
 - c) Beam 25mm
 - d) Slab 25mm

PROJECT:

PROPOSED STANDARD DRAWINGS FOR COUNCIL HOSPITALS IN TANZANIA

CLIENT:

**PRESIDENT'S OFFICE
REGIONAL ADMINISTRATION
LOCAL GOVERNMENT**

**MINISTRY OF
HEALTH, COMMUNITY
DEVELOPMENT, GENDER,
ELDERLY AND CHILDREN**

DRAWING TITLE:

**MATERNITY WAITING WARD
PLINTH BEAM**

Designed by: Eng. R.A.M

Drawn by: Eng. R.A.M

Checked by: ENG. A.NGATOMELA

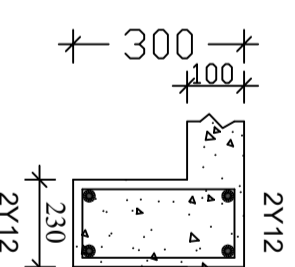
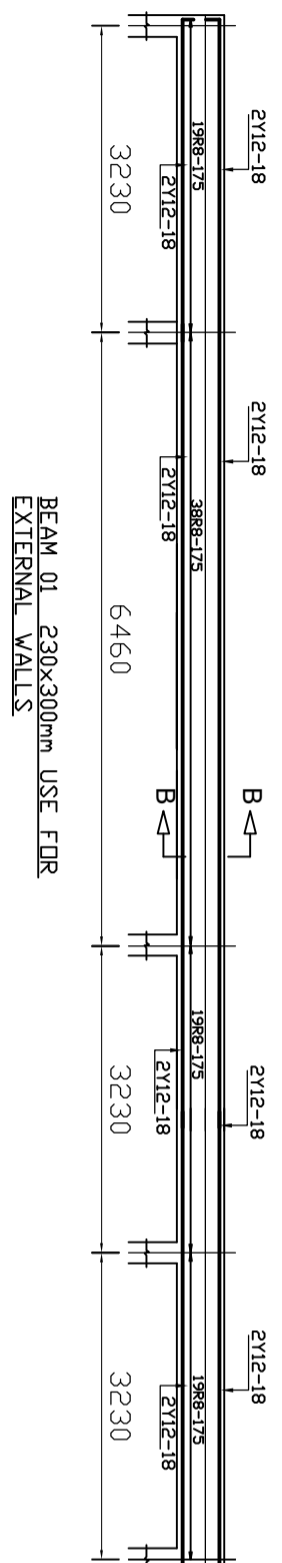
Approved by:

Date: **2018**

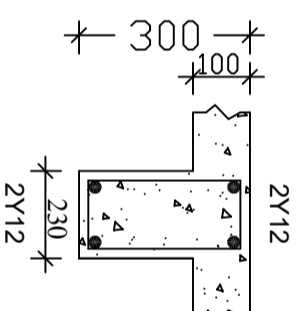
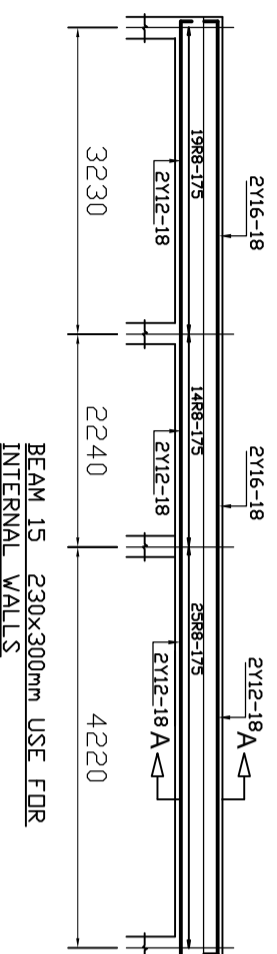
Scale:

Drawing No. **MWH/S, 103**

Sheet:



SECTION B-B



SECTION A-A

NOTE:

1. All dimensions are in mm unless otherwise specified
2. All discrepancies shall be referred to the structural engineer
3. Reinforced concrete shall be of grade 25 with $f_{cu}=25N/mm^2$ at 28 days of age
4. Main reinforcements shall be high tensile steel with $f_y = 460N/mm^2$
5. Nominal cover to the reinforcements:
 - a) Foundation 50mm
 - b) Column 25mm
 - c) Beam 25mm
 - d) Slab 25mm

PROJECT:

PROPOSED STANDARD DRAWINGS FOR COUNCIL HOSPITALS IN TANZANIA

CLIENT:

**PRESIDENT'S OFFICE
REGIONAL ADMINISTRATION
LOCAL GOVERNMENT**

**MINISTRY OF
HEALTH, COMMUNITY
DEVELOPMENT, GENDER,
ELDERLY AND CHILDREN**

DRAWING TITLE:

**WATERINITY WAITING WARD
PLINTH BEAM DETAILS**

Designed by: Eng. R.A.M

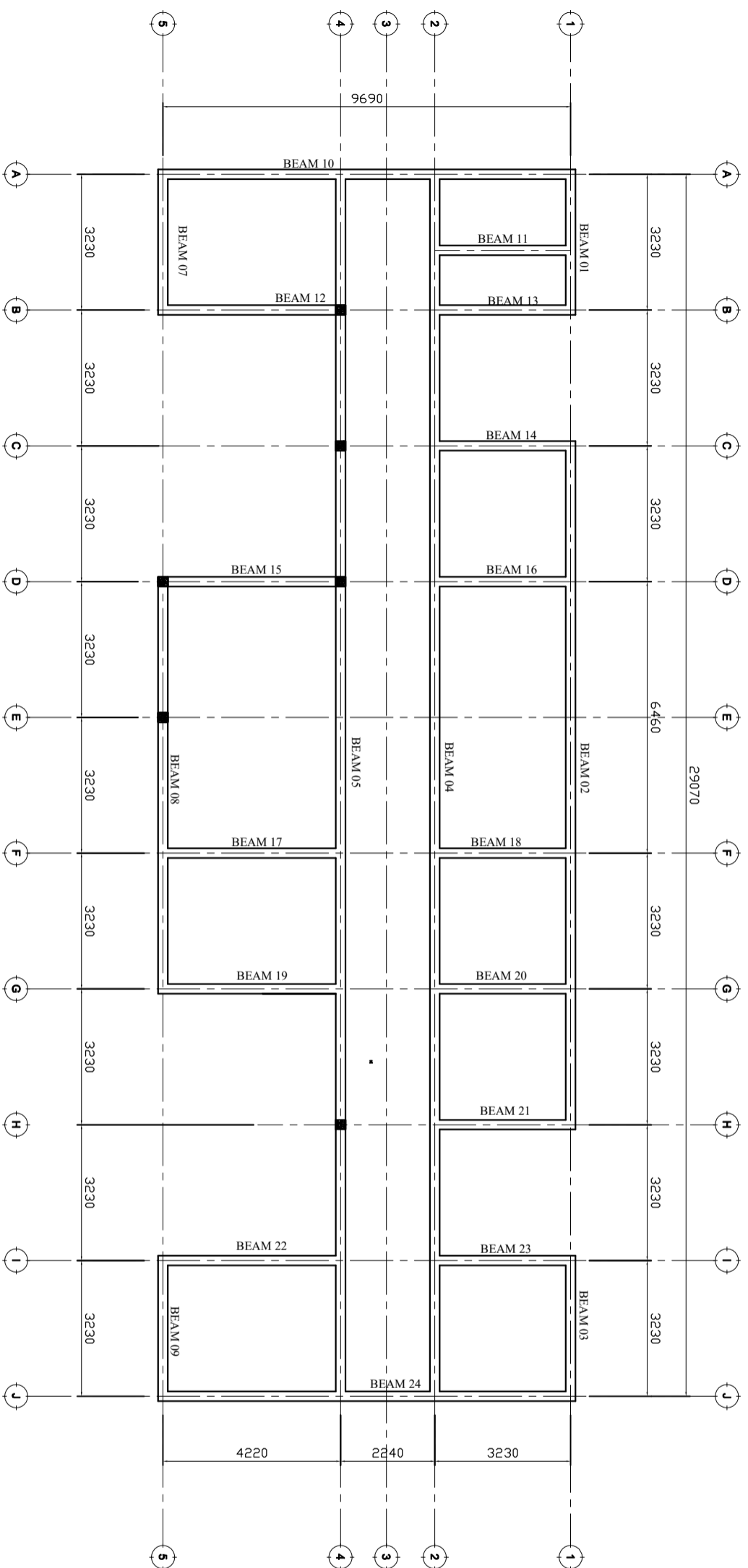
Drawn by: Eng. R.A.M

Checked by: ENG. A. NGATOMELA

Approved by:

Date: **2018** Scale:

Drawing No. **MWH/S.104** Sheet:



NOTE:

1. All dimensions are in mm unless otherwise specified
2. All discrepancies shall be referred to the structural engineer
3. Reinforced concrete shall be of grade 25 with $f_{cu}=25N/mm^2$ at 28 days of age
4. Main reinforcements shall be high tensile steel with $f_y = 460N/mm^2$
5. Nominal cover to the reinforcements:
 - a) Foundation 50mm
 - b) Column 25mm
 - c) Beam 25mm
 - d) Slab 25mm

PROJECT:

PROPOSED STANDARD DRAWINGS FOR COUNCIL HOSPITALS IN TANZANIA

CLIENT:

**PRESIDENT'S OFFICE
REGIONAL ADMINISTRATION
LOCAL GOVERNMENT**

**MINISTRY OF
HEALTH, COMMUNITY
DEVELOPMENT, GENDER,
ELDERLY AND CHILDREN**

DRAWING TITLE:

**MATERNITY WAITING WARD
RINGBEAM LAYOUT**

Designed by: Eng. R.A.M

Drawn by: Eng. R.A.M

Checked by: ENG. ANGATOMELA

Approved by:

Date: **2018**

Scale:

Drawing No. **MWH/S. 105**

Sheet:

NOTE:

1. All dimensions are in mm unless otherwise specified
2. All discrepancies shall be referred to the structural engineer
3. Reinforced concrete shall be of grade 25 with $f_{cu}=25N/mm^2$ at 28 days of age
4. Main reinforcements shall be high tensile steel with $f_y = 460N/mm^2$
5. Nominal cover to the reinforcements:
 - a) Foundation 50mm
 - b) Column 25mm
 - c) Beam 25mm
 - d) Slab 25mm

PROJECT:

**PROPOSED STANDARD
DRAWINGS FOR COUNCIL
HOSPITALS IN TANZANIA**

CLIENT:

**PRESIDENT'S OFFICE
REGIONAL ADMINISTRATION
LOCAL GOVERNMENT**

**MINISTRY OF
HEALTH, COMMUNITY
DEVELOPMENT, GENDER,
ELDERLY AND CHILDREN**

DRAWING TITLE:

**MATERNITY WAITING WARD
RING BEAM DETAILS**

Designed by: Eng. R.A.M

Drawn by: Eng. R.A.M

Checked by: ENG. A.NGATOMELA

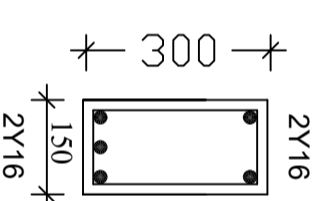
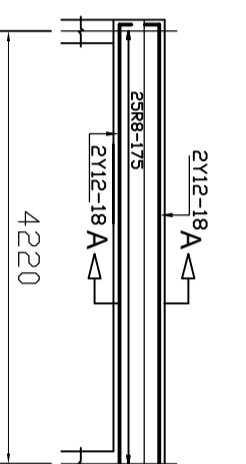
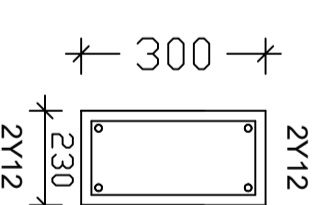
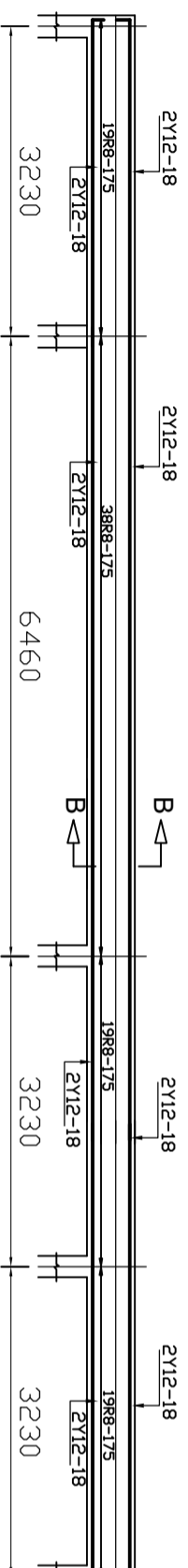
Approved by:

Date: **2018**

Scale:

Drawing No. **MWH/S.106**

Sheet:



NOTE:

1. All dimensions are in mm unless otherwise specified
2. All discrepancies shall be referred to the structural engineer
3. Reinforced concrete shall be of grade 25 with $f_{cu}=25N/mm^2$ at 28 days of age
4. Main reinforcements shall be high tensile steel with $f_y = 460N/mm^2$
5. Nominal cover to the reinforcements:
 - a) Foundation 50mm
 - b) Column 25mm
 - c) Beam 25mm
 - d) Slab 25mm

PROJECT:

PROPOSED STANDARD DRAWINGS FOR COUNCIL HOSPITALS IN TANZANIA

CLIENT:

**PRESIDENT'S OFFICE
REGIONAL ADMINISTRATION
LOCAL GOVERNMENT**

**MINISTRY OF
HEALTH, COMMUNITY
DEVELOPMENT, GENDER,
ELDERLY AND CHILDREN**

DRAWING TITLE:

**MATERNITY WAITING WARD
COLUMNS DETAILS**

Designed by: Eng. R.A.M

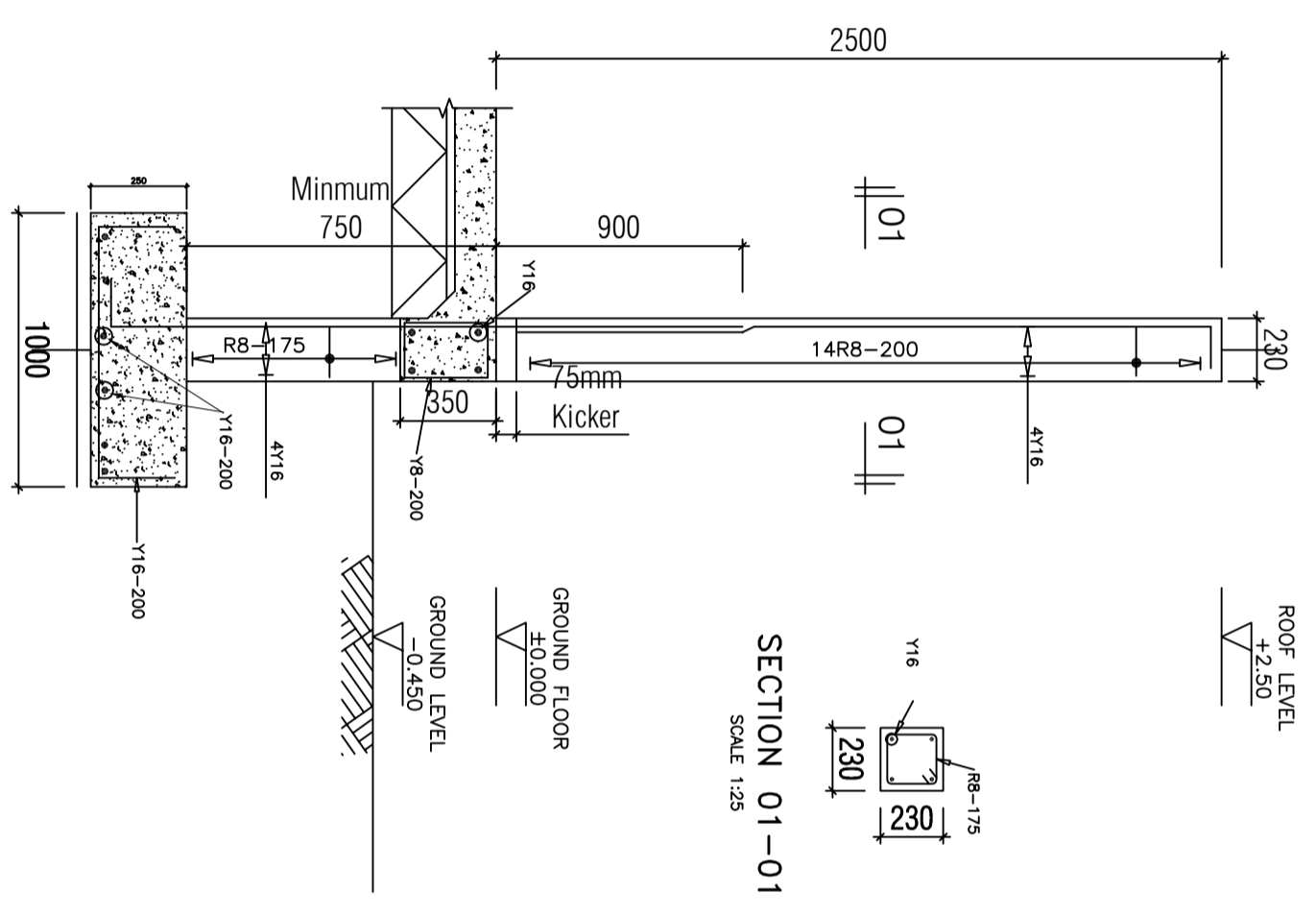
Drawn by: Eng. R.A.M

Checked by: ENG. ANGATOMELA

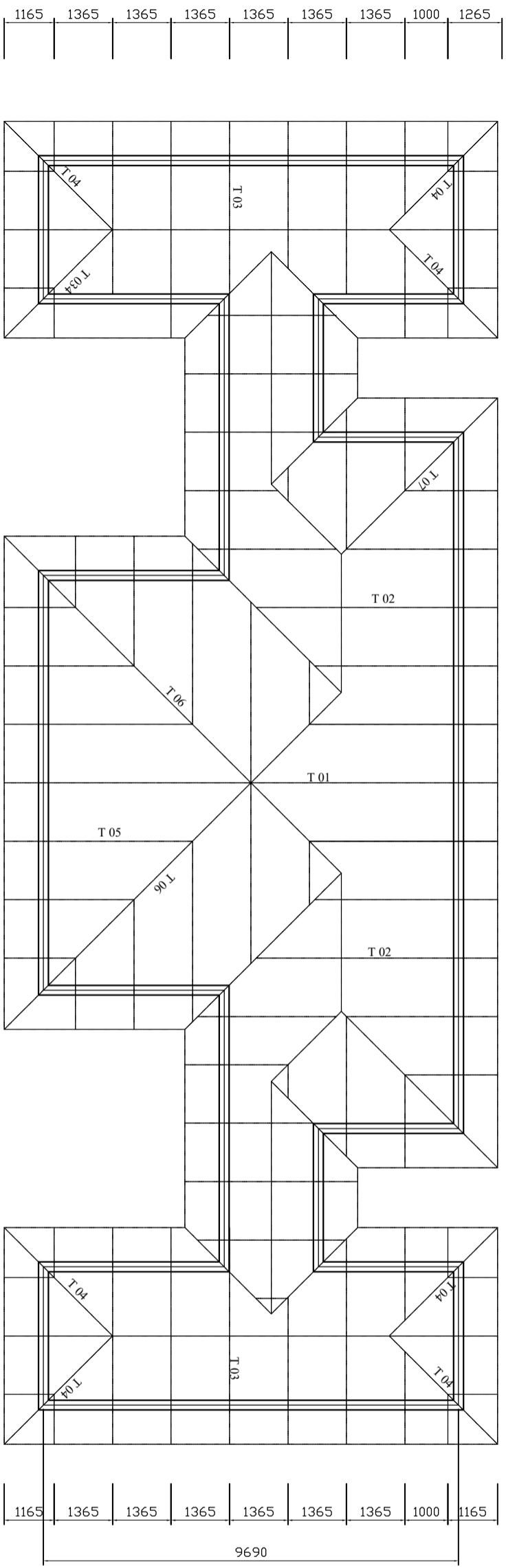
Approved by:

Date: **2018** Scale:

Drawing No. **MWH/S.106** Sheet:



**COLUMN C3
(230x230mm)**
SCALE 1:25



NOTE:

1. All dimensions are in mm unless otherwise specified
2. All discrepancies shall be referred to the structural engineer
3. Reinforced concrete shall be of grade 25 with $f_{cu}=25N/mm^2$ at 28 days of age
4. Main reinforcements shall be high tensile steel with $f_y = 460N/mm^2$
5. Nominal cover to the reinforcements:
 - a) Foundation 50mm
 - b) Column 25mm
 - c) Beam 25mm
 - d) Slab 25mm

PROJECT:

PROPOSED STANDARD DRAWINGS FOR COUNCIL HOSPITALS IN TANZANIA

CLIENT:

**PRESIDENT'S OFFICE
REGIONAL ADMINISTRATION
LOCAL GOVERNMENT**

**MINISTRY OF
HEALTH, COMMUNITY
DEVELOPMENT, GENDER,
ELDERLY AND CHILDREN**

DRAWING TITLE:

**MATERNITY WAITING WARD
TRUSS LAYOUT**

Designed by: Eng. R.A.M

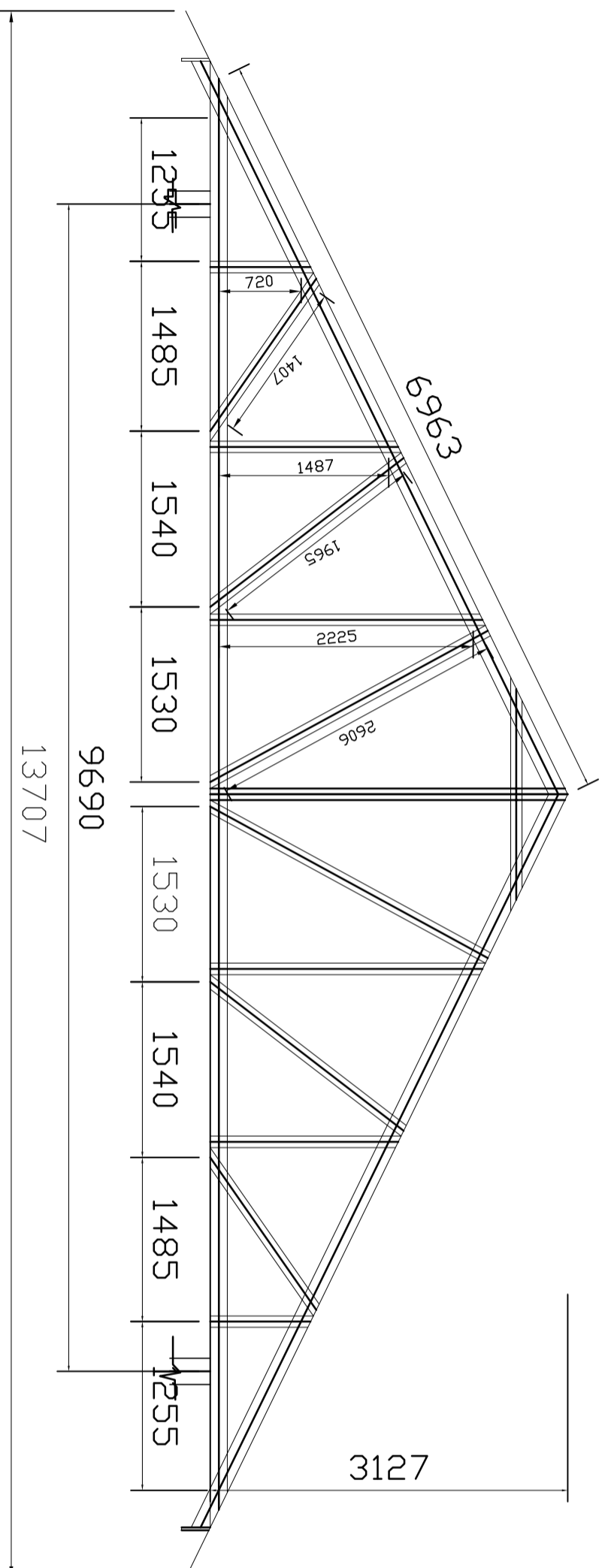
Drawn by: Eng. R.A.M

Checked by: ENG. ANGATOMELA

Approved by:

Date: **2018** Scale:

Drawing No. **MWH/S.107** Sheet:



NOTE:

1. All dimensions are in mm unless otherwise specified
2. All discrepancies shall be referred to the structural engineer
3. Reinforced concrete shall be of grade 25 with $f_{cu}=25N/mm^2$ at 28 days of age
4. Main reinforcements shall be high tensile steel with $f_y = 460N/mm^2$
5. Nominal cover to the reinforcements:
 - a) Foundation 50mm
 - b) Column 25mm
 - c) Beam 25mm
 - d) Slab 25mm

PROJECT:
PROPOSED STANDARD DRAWINGS FOR COUNCIL HOSPITALS IN TANZANIA

CLIENT:
 PRESIDENT'S OFFICE
 REGIONAL ADMINISTRATION
 LOCAL GOVERNMENT

MINISTRY OF
 HEALTH, COMMUNITY
 DEVELOPMENT, GENDER,
 ELDERLY AND CHILDREN

DRAWING TITLE:
MATERNITY WAITING WARD TRUSS DETAILS

Designed by: Eng. R.A.M

Drawn by: Eng. R.A.M

Checked by: ENG. A. NGATOMELA

Approved by:

Date: **2018** Scale:

Drawing No. **MWH/S.108** Sheet:

- NOTE:**
1. All dimensions are in mm unless otherwise specified
 2. All discrepancies shall be referred to the structural engineer
 3. Reinforced concrete shall be of grade 25 with $f_{cu}=25N/mm^2$ at 28 days of age
 4. Main reinforcements shall be high tensile steel with $f_y = 460N/mm^2$
 5. Nominal cover to the reinforcements:
 - a) Foundation 50mm
 - b) Column 25mm
 - c) Beam 25mm
 - d) Slab 25mm

PROJECT:

PROPOSED STANDARD DRAWINGS FOR COUNCIL HOSPITALS IN TANZANIA

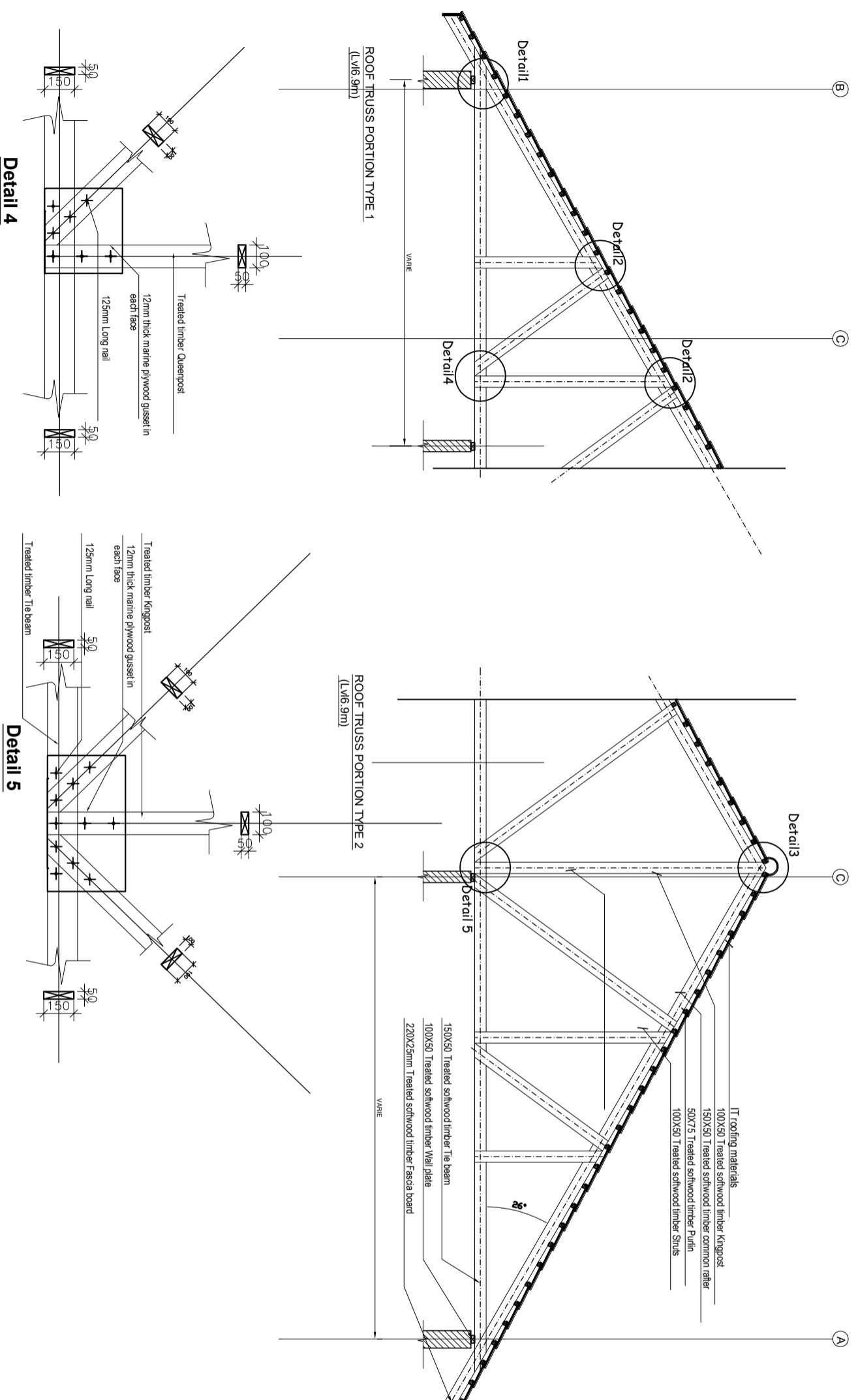
CLIENT:

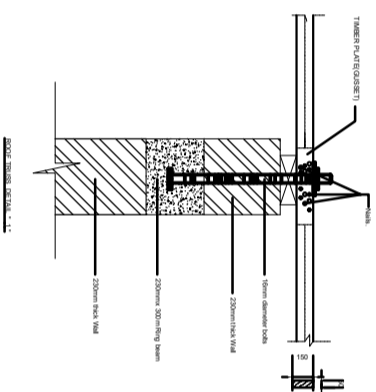
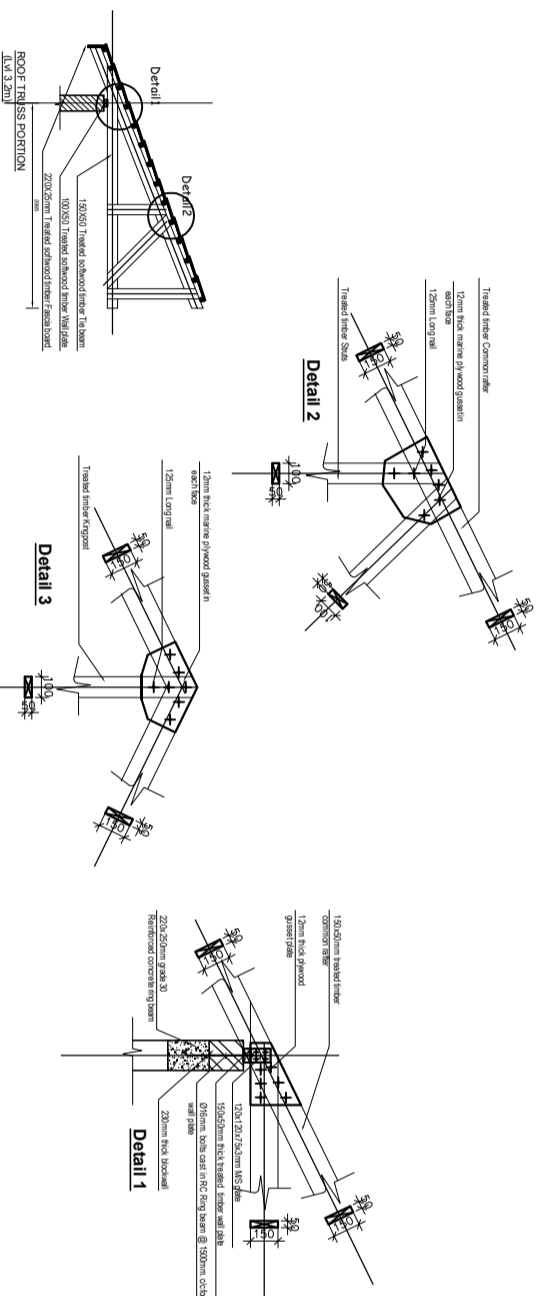
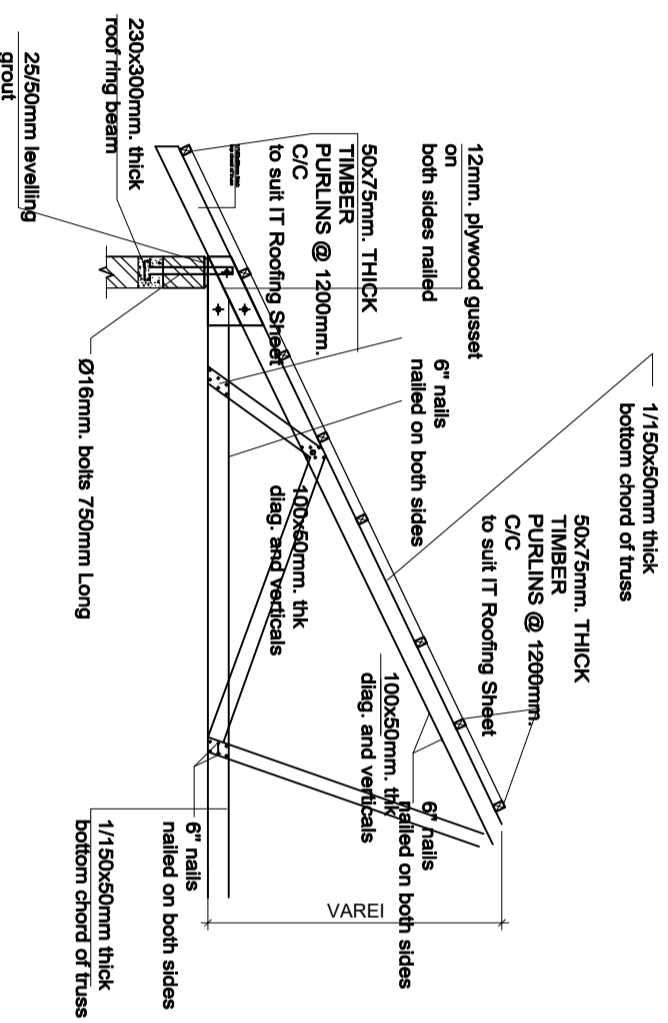
**PRESIDENT'S OFFICE
REGIONAL ADMINISTRATION
LOCAL GOVERNMENT**

**MINISTRY OF
HEALTH, COMMUNITY
DEVELOPMENT, GENDER,
ELDERLY AND CHILDREN**

**DRAWING TITLE:
MATERNITY WAITING WARD TRUSS
DETAILS & CONNECTIONS**

Designed by:	Eng. R.A.M
Drawn by:	Eng. R.A.M
Checked by:	ENG. A.NGATOMELA
Approved by:	
Date:	2018
	Scale:
Drawing No.	Sheet:
MWH/S.109	





NOTE:

1. All dimensions are in mm unless otherwise specified
2. All discrepancies shall be referred to the structural engineer
3. Reinforced concrete shall be of grade 25 with $f_{cu}=25N/mm^2$ at 28 days of age
4. Main reinforcements shall be high tensile steel with $f_y = 460N/mm^2$
5. Nominal cover to the reinforcements:
 - a) Foundation 50mm
 - b) Column 25mm
 - c) Beam 25mm
 - d) Slab 25mm

PROJECT:

PROPOSED STANDARD DRAWINGS FOR COUNCIL HOSPITALS IN TANZANIA

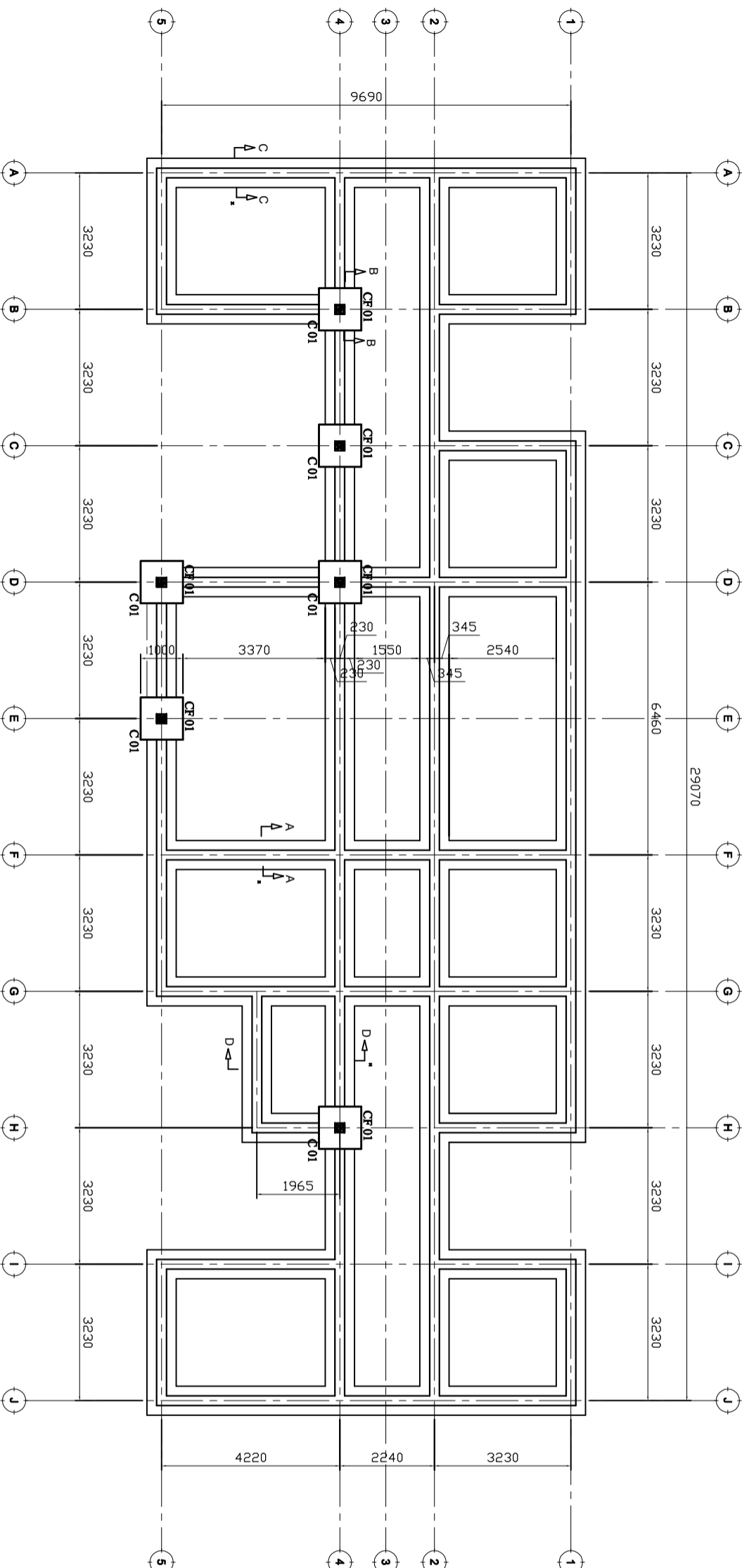
CLIENT:

**PRESIDENT'S OFFICE
REGIONAL ADMINISTRATION
LOCAL GOVERNMENT**

**MINISTRY OF
HEALTH, COMMUNITY
DEVELOPMENT, GENDER,
ELDERLY AND CHILDREN**

**DRAWING TITLE:
MATERNITY WAITING WARD TRUSS
DETAILS & CONNECTIONS**

Designed by:	Eng. R.A.M
Drawn by:	Eng. R.A.M
Checked by:	ENG. A.NGATOMELA
Approved by:	
Date:	2018
Scale:	
Drawing No.	Sheet:
MWH/S.110	



NOTE:

1. All dimensions are in mm unless otherwise specified
2. All discrepancies shall be referred to the structural engineer
3. Reinforced concrete shall be of grade 20 with $f_{cu}=25N/mm^2$ at 28 days of age
4. Main reinforcements shall be high tensile steel with $f_y = 460N/mm^2$
5. Nominal cover to the reinforcements:
 - a) Foundation 50mm
 - b) Column 25mm
 - c) Beam 25mm
 - d) Slab 25mm

PROJECT:

PROPOSED STANDARD DRAWINGS FOR COUNCIL HOSPITALS IN TANZANIA

CLIENT:

**PRESIDENT'S OFFICE
REGIONAL ADMINISTRATION
LOCAL GOVERNMENT**

**MINISTRY OF HEALTH,
COMMUNITY DEVELOPMENT,
GENDER AND CHILDREN**

**DRAWING TITLE:
MATERNITY WAITING WARD
FOUNDATION LAYOUT**

Designed by: Eng. R.A.M

Drawn by: Eng. R.A.M

Checked by: Eng. A. NGATOMELA

Approved by:

Date: **2018** Scale:

Drawing No. **MWH/S.101** Sheet: