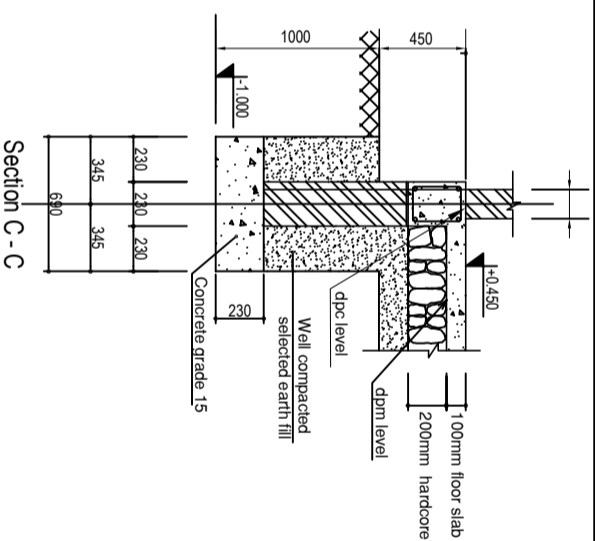
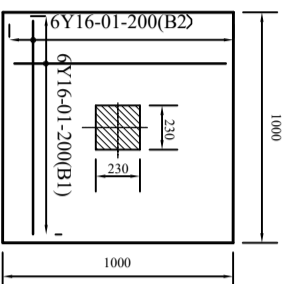


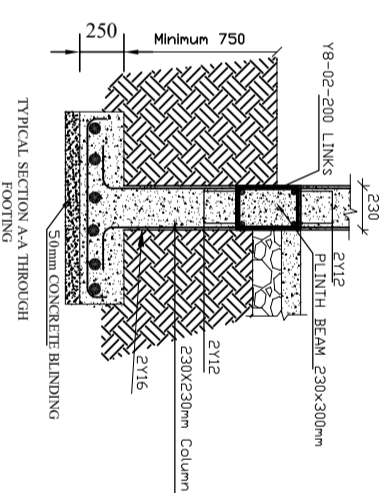
Section B - B



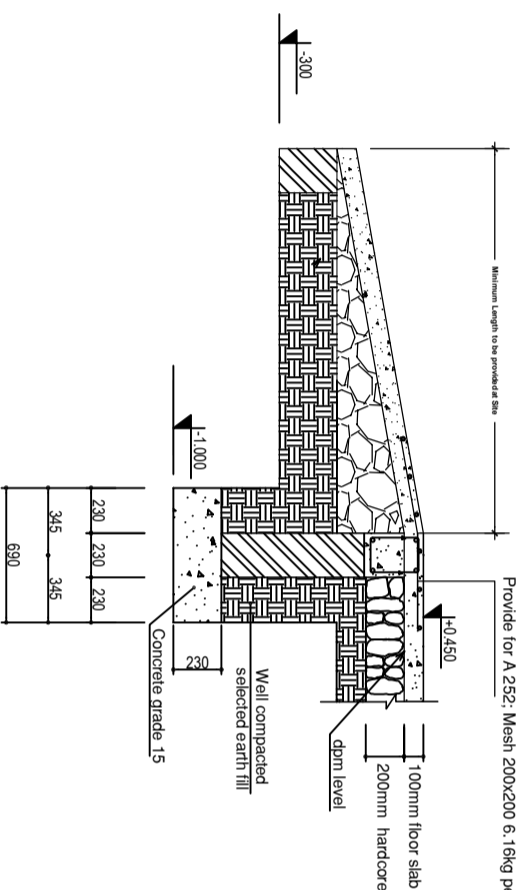
Section C - C



COLUMN FOOTING F1-4Nics
1000x1000x250mm



Typical Section A-A Through Footing



Typical Section F-F Ramp Details

Provide for A 252: Mesh 200x200 6.16kg per square metre

NOTE:

1. All dimensions are in mm unless otherwise specified
2. All discrepancies shall be referred to the structural engineer
3. Reinforced concrete shall be of grade 25 with $f_{cu}=25N/mm^2$ at 28 days of age
4. Main reinforcements shall be high tensile steel with $f_y = 460N/mm^2$
5. Nominal cover to the reinforcements:
 - a) Foundation 50mm
 - b) Column 25mm
 - c) Beam 25mm
 - d) Slab 25mm

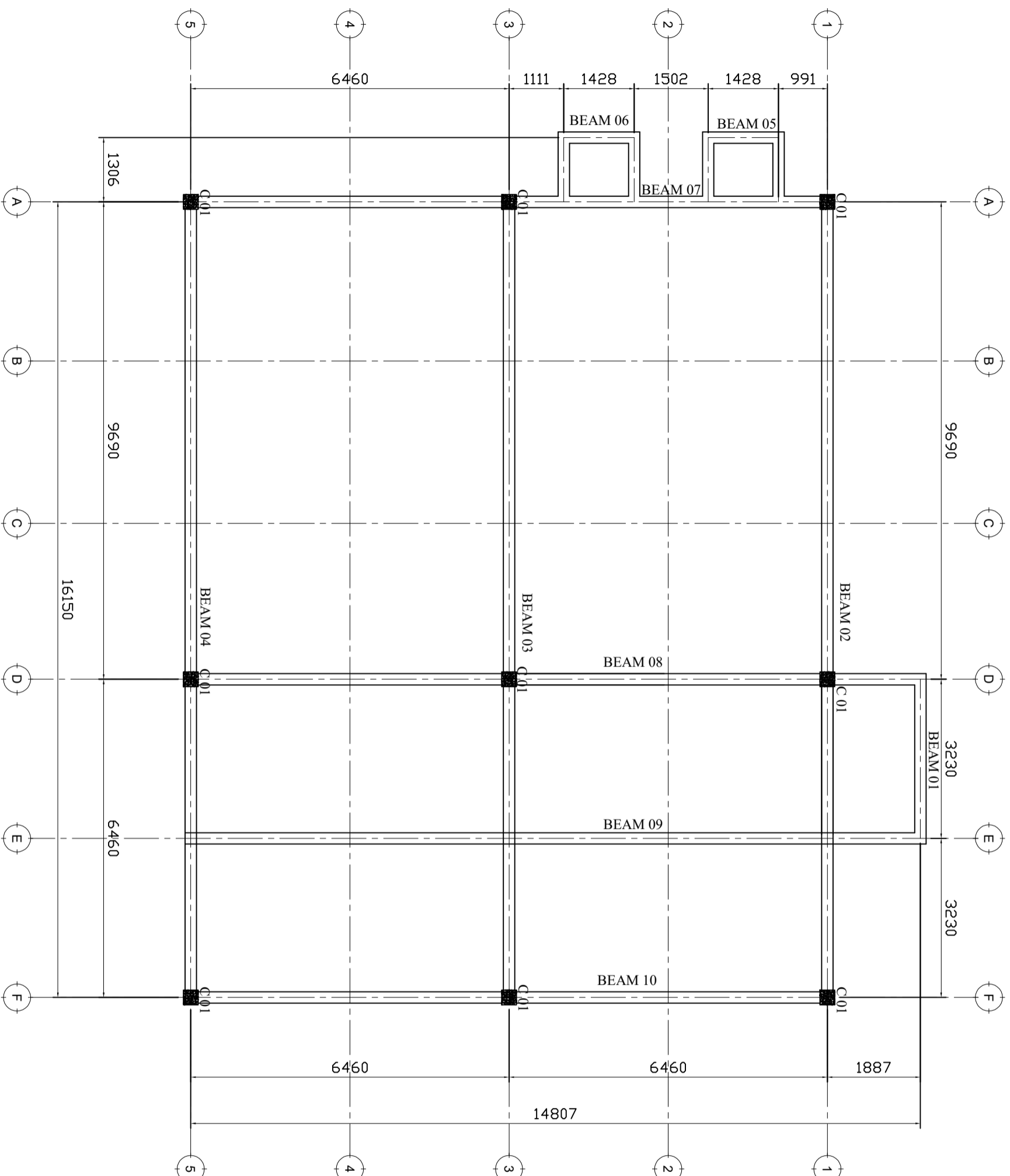
PROJECT:
PROPOSED STANDARD DRAWINGS FOR COUNCIL HOSPITALS IN TANZANIA

CLIENT:
PRESIDENT'S OFFICE REGIONAL ADMINISTRATION LOCAL GOVERNMENT

MINISTRY OF HEALTH, COMMUNITY DEVELOPMENT, GENDER, ELDERLY AND CHILDREN

DRAWING TITLE:
MAIN STORE FOUNDATION DETAILS

Designed by:	Eng. R.A.M
Drawn by:	Eng. R.A.M
Checked by:	ENG. A.NGATOMELA
Approved by:	
Date:	2018
Scale:	
Drawing No.	MST/S.102
Sheet:	



NOTE:

1. All dimensions are in mm unless otherwise specified
2. All discrepancies shall be referred to the structural engineer
3. Reinforced concrete shall be of grade 25 with $f_{cu}=25N/mm^2$ at 28 days of age
4. Main reinforcements shall be high tensile steel with $f_y = 460N/mm^2$
5. Nominal cover to the reinforcements:
 - a) Foundation 50mm
 - b) Column 25mm
 - c) Beam 25mm
 - d) Slab 25mm

PROJECT:

PROPOSED STANDARD DRAWINGS FOR COUNCIL HOSPITALS IN TANZANIA

CLIENT:

**PRESIDENT'S OFFICE
REGIONAL ADMINISTRATION
LOCAL GOVERNMENT**

**MINISTRY OF
HEALTH, COMMUNITY
DEVELOPMENT, GENDER,
ELDERLY AND CHILDREN**

DRAWING TITLE:

MAIN STORE PLINTH BEAM

Designed by:

Eng. R.A.M

Drawn by:

Eng. R.A.M

Checked by:

ENG. A.NGATOMELA

Approved by:

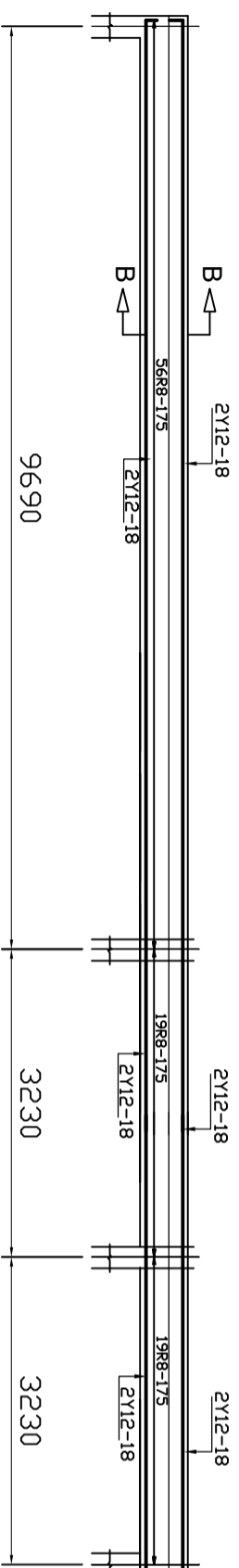
Date: **2018**

Scale:

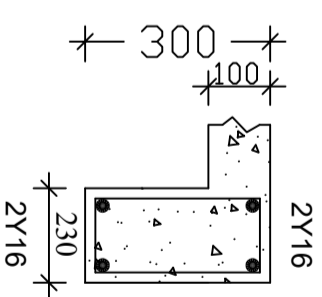
Drawing No.

MST/S, 103

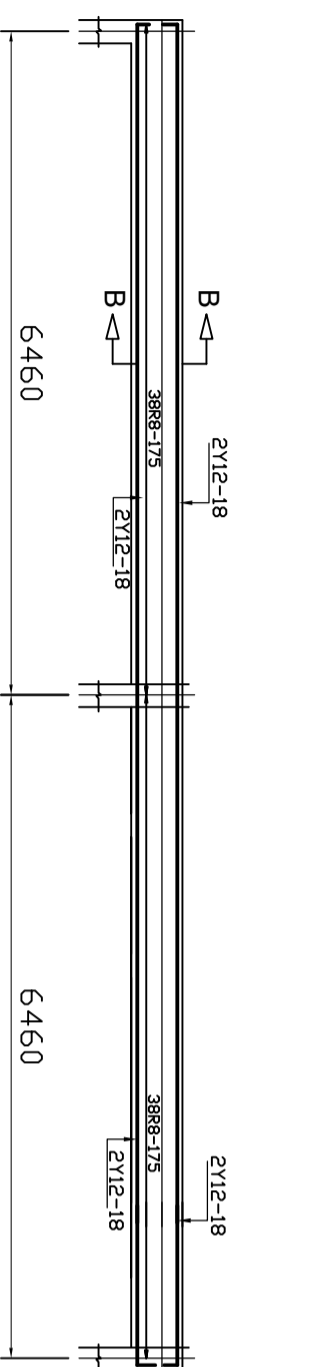
Sheet:



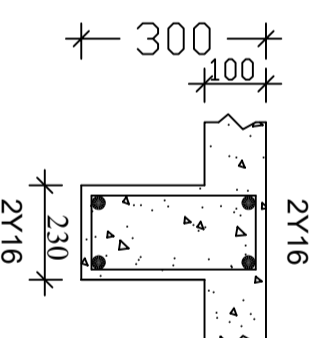
BEAM 04 230x300mm USE FOR
EXTERNAL WALLS



SECTION B-B



BEAM 02 230x300mm USE FOR
INTERNAL WALLS



SECTION A-A

NOTE:

1. All dimensions are in mm unless otherwise specified
2. All discrepancies shall be referred to the structural engineer
3. Reinforced concrete shall be of grade 25 with $f_{cu}=25N/mm^2$ at 28 days of age
4. Main reinforcements shall be high tensile steel with $f_y = 460N/mm^2$
5. Nominal cover to the reinforcements:
 - a) Foundation 50mm
 - b) Column 25mm
 - c) Beam 25mm
 - d) Slab 25mm

PROJECT:

**PROPOSED STANDARD
DRAWINGS FOR COUNCIL
HOSPITALS IN TANZANIA**

CLIENT:

**PRESIDENT'S OFFICE
REGIONAL ADMINISTRATION
LOCAL GOVERNMENT**

**MINISTRY OF
HEALTH, COMMUNITY
DEVELOPMENT, GENDER,
ELDERLY AND CHILDREN**

DRAWING TITLE:

**MAIN STORE PLINTH BEAM
DETAILS**

Designed by: Eng. R.A.M

Drawn by: Eng. R.A.M

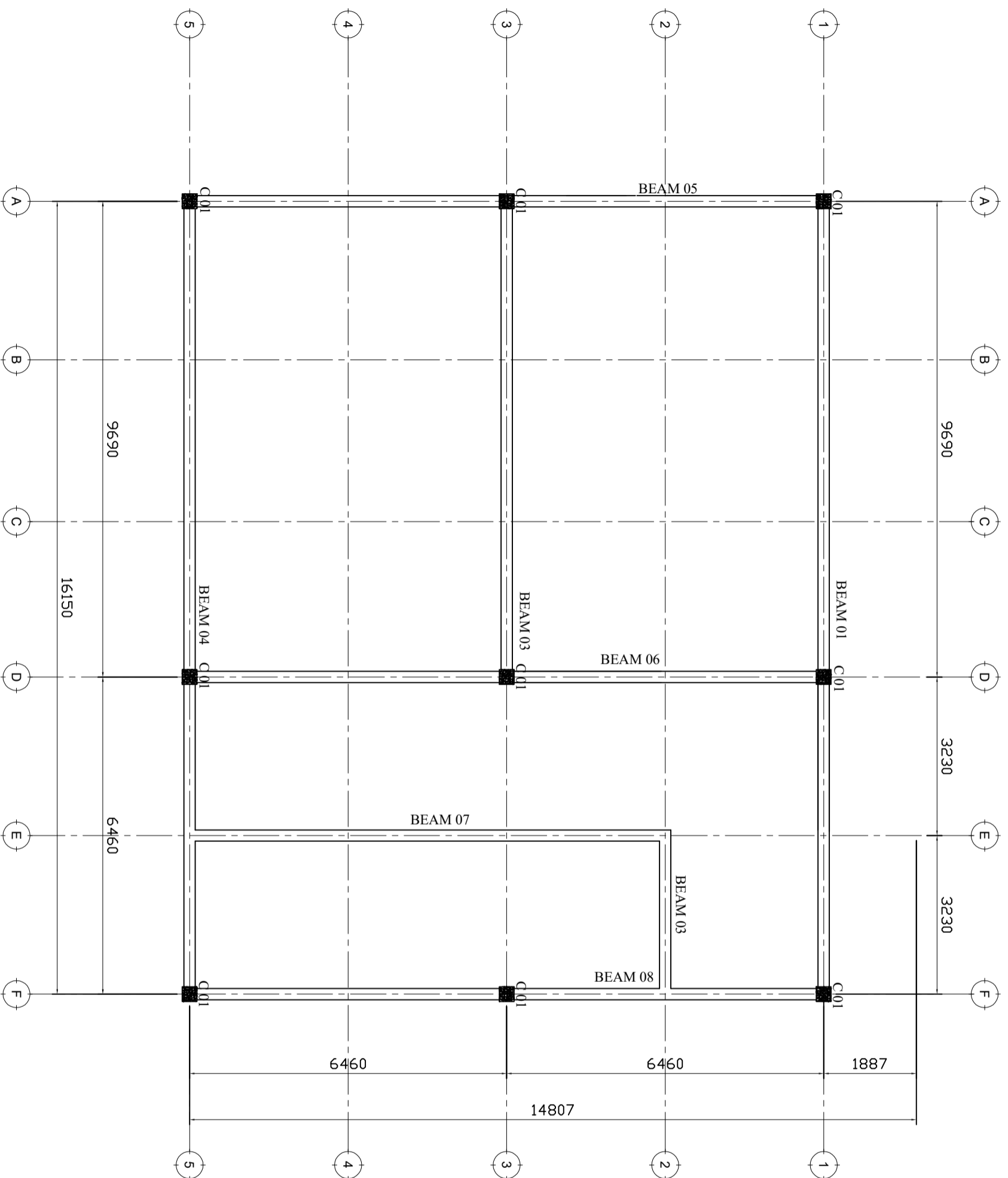
Checked by: ENG. A.NGATOMELA

Approved by:

Date: **2018** Scale:

Drawing No. Sheet:

MST/S.104



NOTE:

1. All dimensions are in mm unless otherwise specified
2. All discrepancies shall be referred to the structural engineer
3. Reinforced concrete shall be of grade 25 with $f_{cu}=25N/mm^2$ at 28 days of age
4. Main reinforcements shall be high tensile steel with $f_y = 460N/mm^2$
5. Nominal cover to the reinforcements:
 - a) Foundation 50mm
 - b) Column 25mm
 - c) Beam 25mm
 - d) Slab 25mm

PROJECT:

PROPOSED STANDARD DRAWINGS FOR COUNCIL HOSPITALS IN TANZANIA

CLIENT:

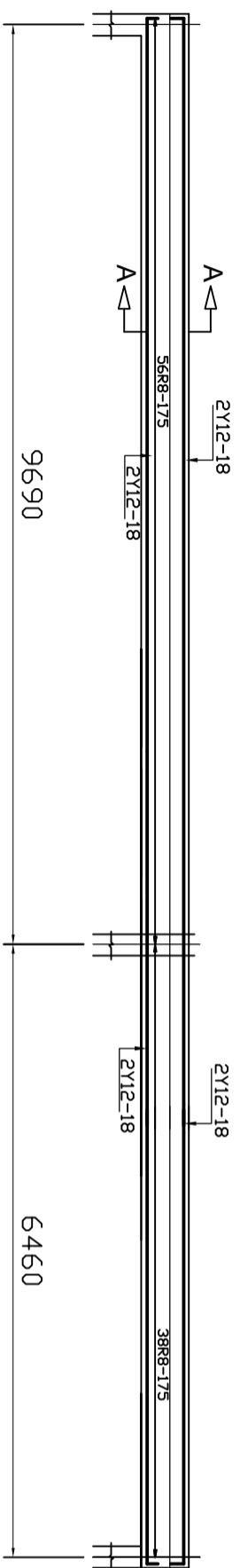
**PRESIDENT'S OFFICE
REGIONAL ADMINISTRATION
LOCAL GOVERNMENT**

**MINISTRY OF
HEALTH, COMMUNITY
DEVELOPMENT, GENDER,
ELDERLY AND CHILDREN**

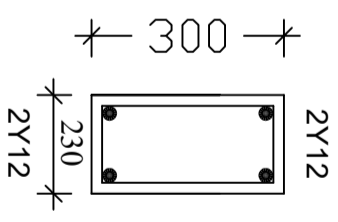
DRAWING TITLE:

**MAIN STORE RINGBEAM
LAYOUT**

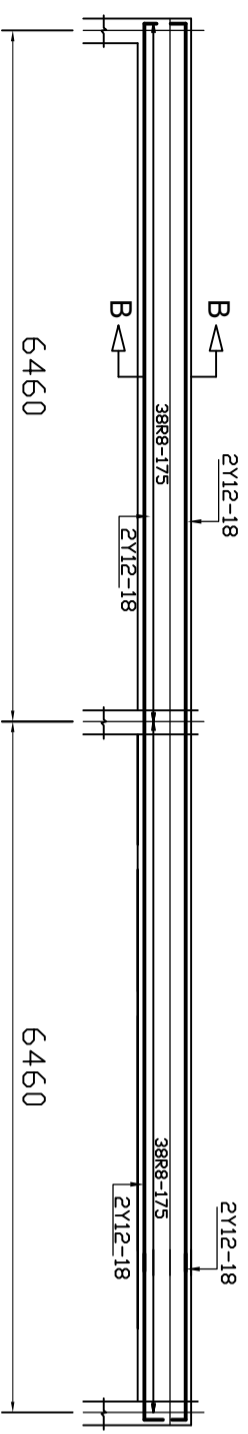
Designed by:	Eng. R.A.M
Drawn by:	Eng. R.A.M
Checked by:	ENG. ANGATOMELA
Approved by:	
Date:	2018
Scale:	
Drawing No.	MST/S. 105
Sheet:	



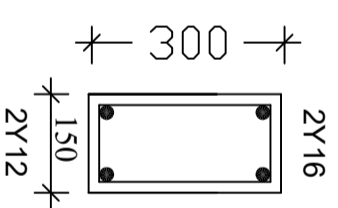
BEAM 04 230x300mm USE FOR
EXTERNAL WALLS



SECTION B-B



BEAM 02 150x300mm USE FOR
INTERNAL WALLS



SECTION A-A

NOTE:

1. All dimensions are in mm unless otherwise specified
2. All discrepancies shall be referred to the structural engineer
3. Reinforced concrete shall be of grade 25 with $f_{cu}=25N/mm^2$ at 28 days of age
4. Main reinforcements shall be high tensile steel with $f_y = 460N/mm^2$
5. Nominal cover to the reinforcements:
 - a) Foundation 50mm
 - b) Column 25mm
 - c) Beam 25mm
 - d) Slab 25mm

PROJECT:

**PROPOSED STANDARD
DRAWINGS FOR COUNCIL
HOSPITALS IN TANZANIA**

CLIENT:

**PRESIDENT'S OFFICE
REGIONAL ADMINISTRATION
LOCAL GOVERNMENT**

**MINISTRY OF
HEALTH, COMMUNITY
DEVELOPMENT, GENDER,
ELDERLY AND CHILDREN**

DRAWING TITLE:

**MAIN STORE RING BEAM
DETAILS**

Designed by: Eng. R.A.M

Drawn by: Eng. R.A.M

Checked by: ENG. ANGATOMELA

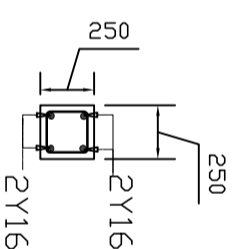
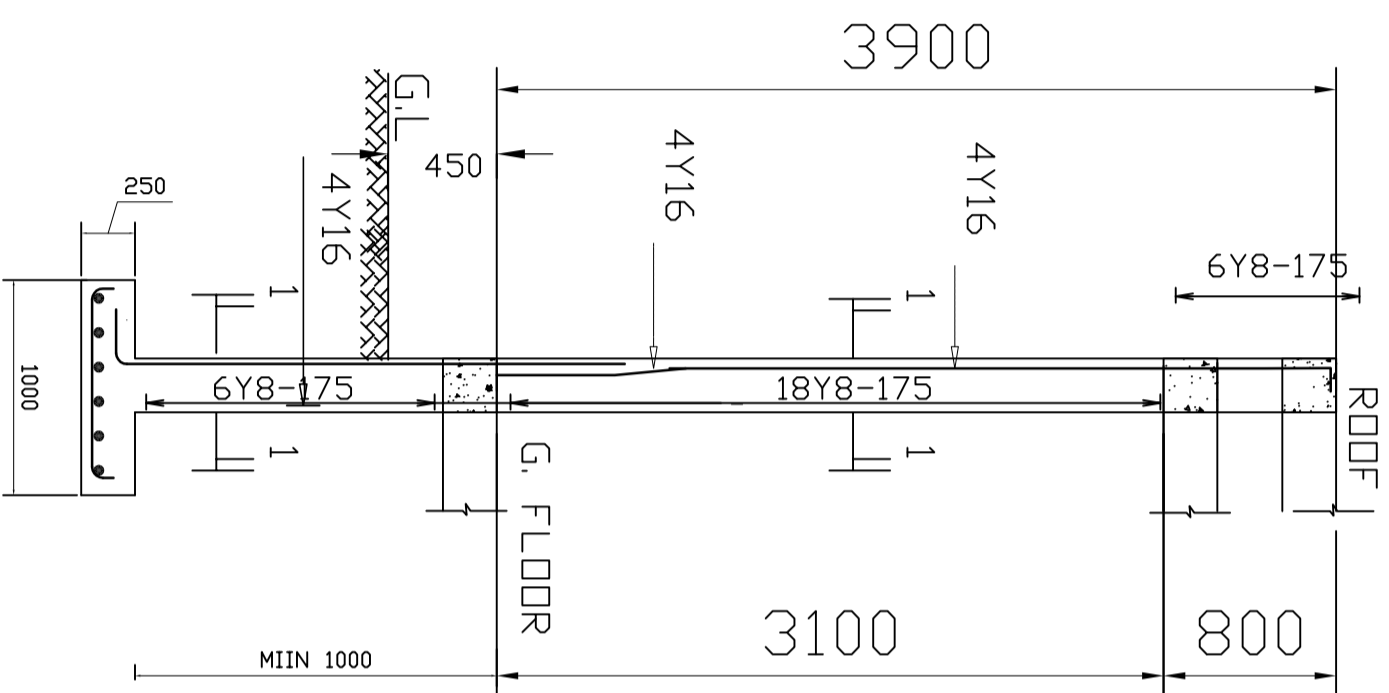
Approved by:

Date: **2018**

Scale:

Drawing No. **MST/S.106**

Sheet:



SECT 1-1

COLUMN C01 - 9Nos
250x250mm

NOTE:

1. All dimensions are in mm unless otherwise specified
2. All discrepancies shall be referred to the structural engineer
3. Reinforced concrete shall be of grade 25 with $f_{cu}=25N/mm^2$ at 28 days of age
4. Main reinforcements shall be high tensile steel with $f_y = 460N/mm^2$
5. Nominal cover to the reinforcements:
 - a) Foundation 50mm
 - b) Column 25mm
 - c) Beam 25mm
 - d) Slab 25mm

PROJECT:

PROPOSED STANDARD DRAWINGS FOR COUNCIL HOSPITALS IN TANZANIA

CLIENT:

**PRESIDENT'S OFFICE
REGIONAL ADMINISTRATION
LOCAL GOVERNMENT**

**MINISTRY OF
HEALTH, COMMUNITY
DEVELOPMENT, GENDER,
ELDERLY AND CHILDREN**

DRAWING TITLE:

**MAIN STORE COLUMNS
DETAILS**

Designed by: Eng. R.A.M

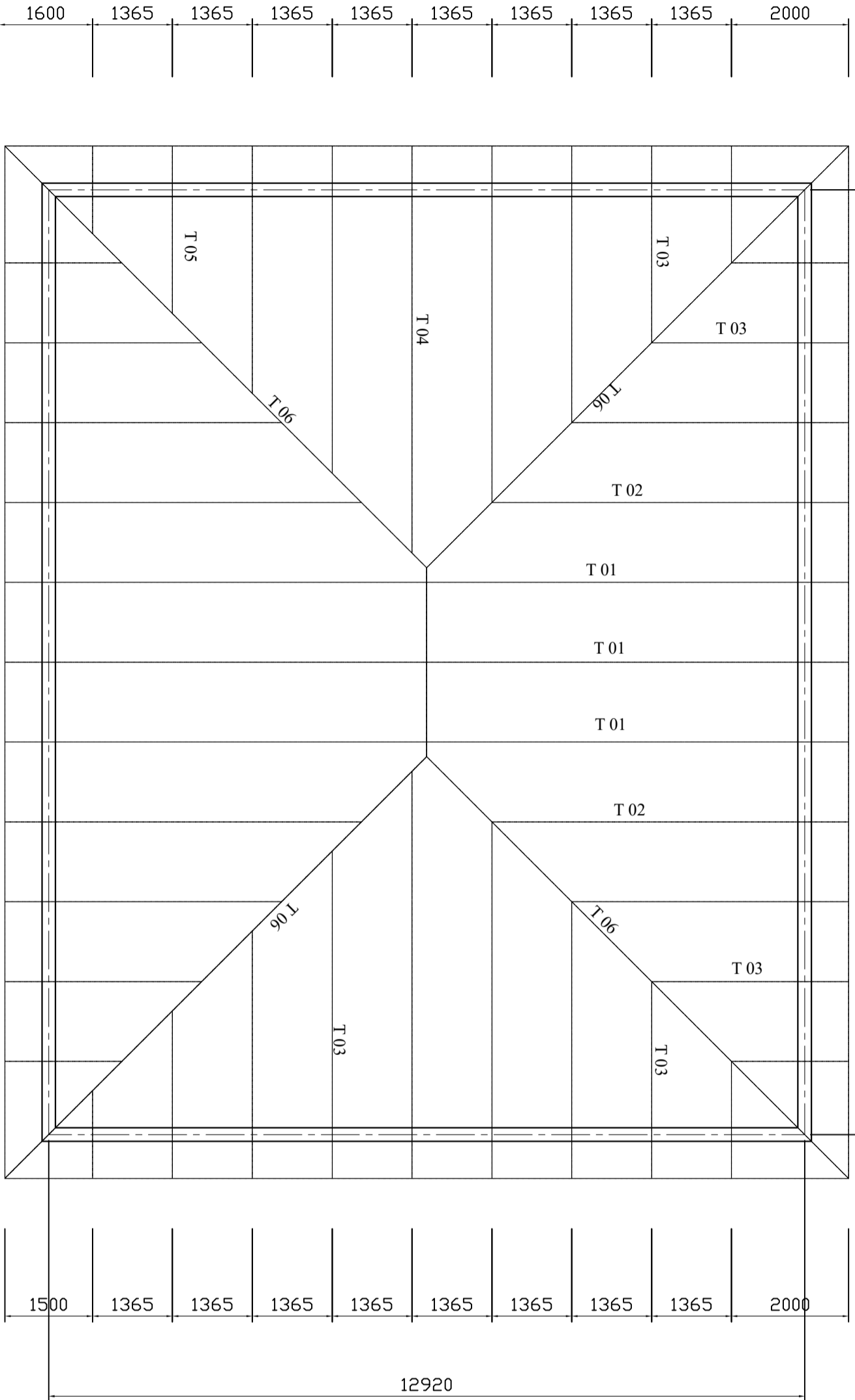
Drawn by: Eng. R.A.M

Checked by: ENG. A. NGATOMELA

Approved by:

Date: **2018** Scale:

Drawing No. **MST/S.106** Sheet:



NOTE:

1. All dimensions are in mm unless otherwise specified
2. All discrepancies shall be referred to the structural engineer
3. Reinforced concrete shall be of grade 25 with $f_{cu}=25N/mm^2$ at 28 days of age
4. Main reinforcements shall be high tensile steel with $f_y = 460N/mm^2$
5. Nominal cover to the reinforcements:
 - a) Foundation 50mm
 - b) Column 25mm
 - c) Beam 25mm
 - d) Slab 25mm

PROJECT:

PROPOSED STANDARD DRAWINGS FOR COUNCIL HOSPITALS IN TANZANIA

CLIENT:

**PRESIDENT'S OFFICE
REGIONAL ADMINISTRATION
LOCAL GOVERNMENT**

**MINISTRY OF
HEALTH, COMMUNITY
DEVELOPMENT, GENDER,
ELDERLY AND CHILDREN**

DRAWING TITLE:

**MAIN STORE TRUSS
LAYOUT**

Designed by:

Eng. R.A.M

Drawn by:

Eng. R.A.M

Checked by:

ENG. A.NGATOMELA

Approved by:

Date:

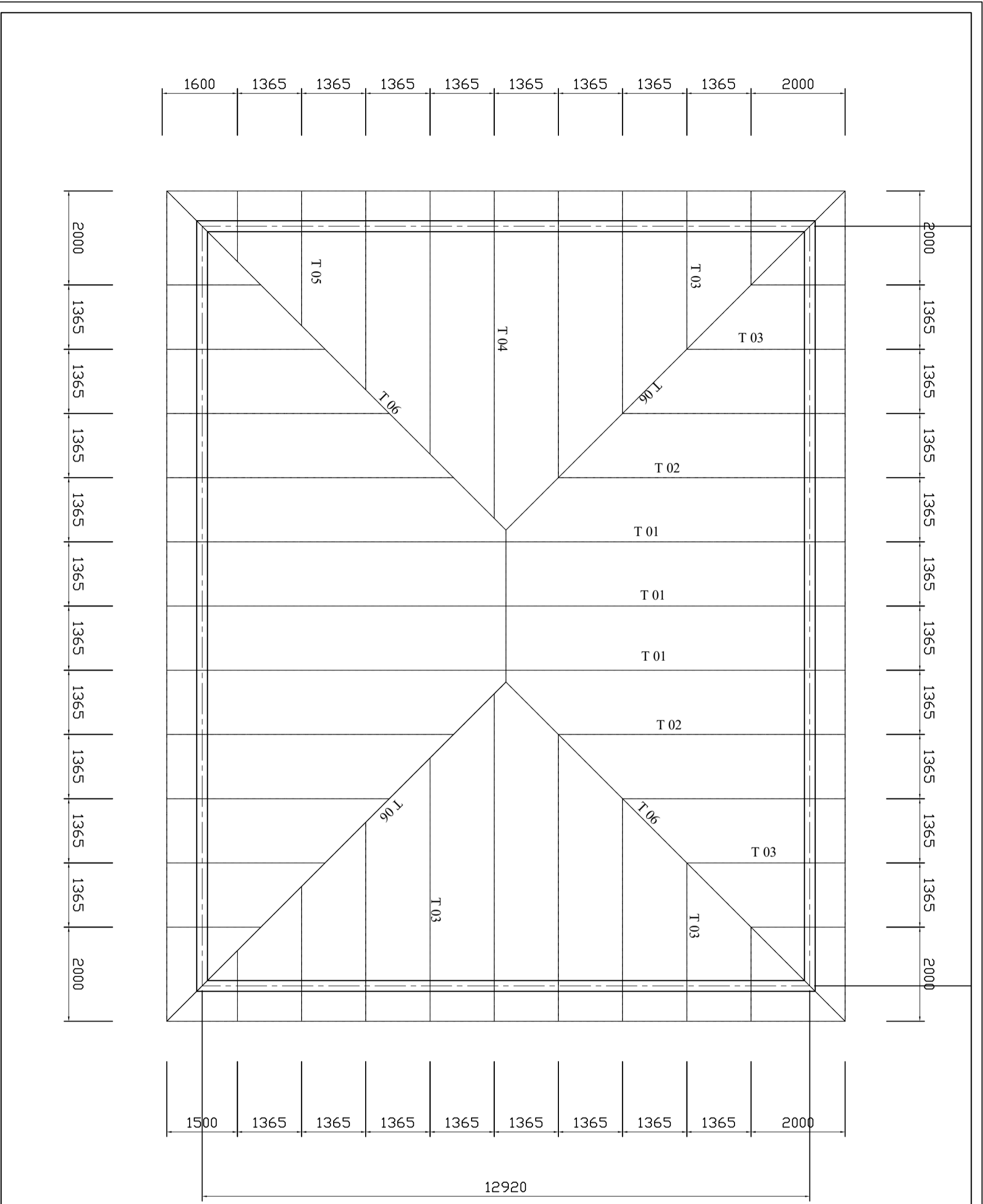
2018

Scale:

Drawing No.

MST/S.107

Sheet:



NOTE:

1. All dimensions are in mm unless otherwise specified
2. All discrepancies shall be referred to the structural engineer
3. Reinforced concrete shall be of grade 25 with $f_{cu}=25N/mm^2$ at 28 days of age
4. Main reinforcements shall be high tensile steel with $f_y = 460N/mm^2$
5. Nominal cover to the reinforcements:
 - a) Foundation 50mm
 - b) Column 25mm
 - c) Beam 25mm
 - d) Slab 25mm

PROJECT:

PROPOSED STANDARD DRAWINGS FOR COUNCIL HOSPITALS IN TANZANIA

CLIENT:

**PRESIDENT'S OFFICE
REGIONAL ADMINISTRATION
LOCAL GOVERNMENT**

**MINISTRY OF
HEALTH, COMMUNITY
DEVELOPMENT, GENDER,
ELDERLY AND CHILDREN**

**DRAWING TITLE:
MAIN STORE TRUSS
LAYOUT**

Designed by: Eng. R.A.M

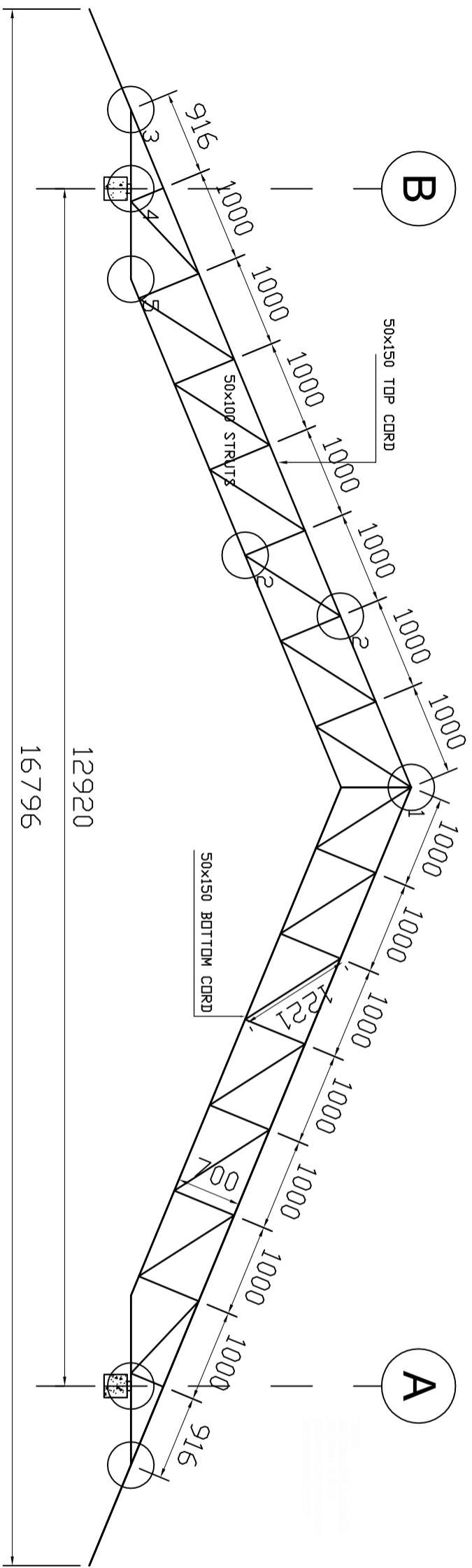
Drawn by: Eng. R.A.M

Checked by: ENG. A.NGATOMELA

Approved by:

Date: **2018** Scale:

Drawing No. **MST/S.107** Sheet:



TIMBER TRUSS T 01

NOTE:

1. All dimensions are in mm unless otherwise specified
2. All discrepancies shall be referred to the structural engineer
3. Reinforced concrete shall be of grade 25 with $f_{cu}=25N/mm^2$ at 28 days of age
4. Main reinforcements shall be high tensile steel with $f_y = 460N/mm^2$
5. Nominal cover to the reinforcements:
 - a) Foundation 50mm
 - b) Column 25mm
 - c) Beam 25mm
 - d) Slab 25mm

PROJECT:
PROPOSED STANDARD DRAWINGS FOR COUNCIL HOSPITALS IN TANZANIA

CLIENT:
 PRESIDENT'S OFFICE
 REGIONAL ADMINISTRATION
 LOCAL GOVERNMENT

MINISTRY OF
 HEALTH, COMMUNITY
 DEVELOPMENT, GENDER,
 ELDERLY AND CHILDREN

DRAWING TITLE:
MAIN STORE TRUSS DETAILS

Designed by: Eng. R.A.M

Drawn by: Eng. R.A.M

Checked by: ENG. ANGATOMELA

Approved by:

Date: **2018** Scale:

Drawing No. **MST/S.108** Sheet:

NOTE:

1. All dimensions are in mm unless otherwise specified
2. All discrepancies shall be referred to the structural engineer
3. Reinforced concrete shall be of grade 25 with $f_{cu}=25N/mm^2$ at 28 days of age
4. Main reinforcements shall be high tensile steel with $f_y = 460N/mm^2$
5. Nominal cover to the reinforcements:
 - a) Foundation 50mm
 - b) Column 25mm
 - c) Beam 25mm
 - d) Slab 25mm

PROJECT:
PROPOSED STANDARD DRAWINGS FOR COUNCIL HOSPITALS IN TANZANIA

CLIENT:
**PRESIDENT'S OFFICE
REGIONAL ADMINISTRATION
LOCAL GOVERNMENT**

**MINISTRY OF
HEALTH, COMMUNITY
DEVELOPMENT, GENDER,
ELDERLY AND CHILDREN**

DRAWING TITLE:
MAIN STORE TRUSS DETAILS AND CONNECTIONS

Designed by: Eng. R.A.M

Drawn by: Eng. R.A.M

Checked by: ENG. A.NGATOMELA

Approved by:

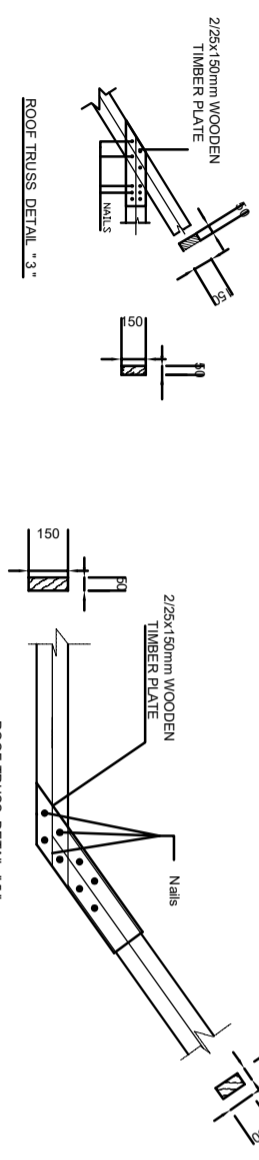
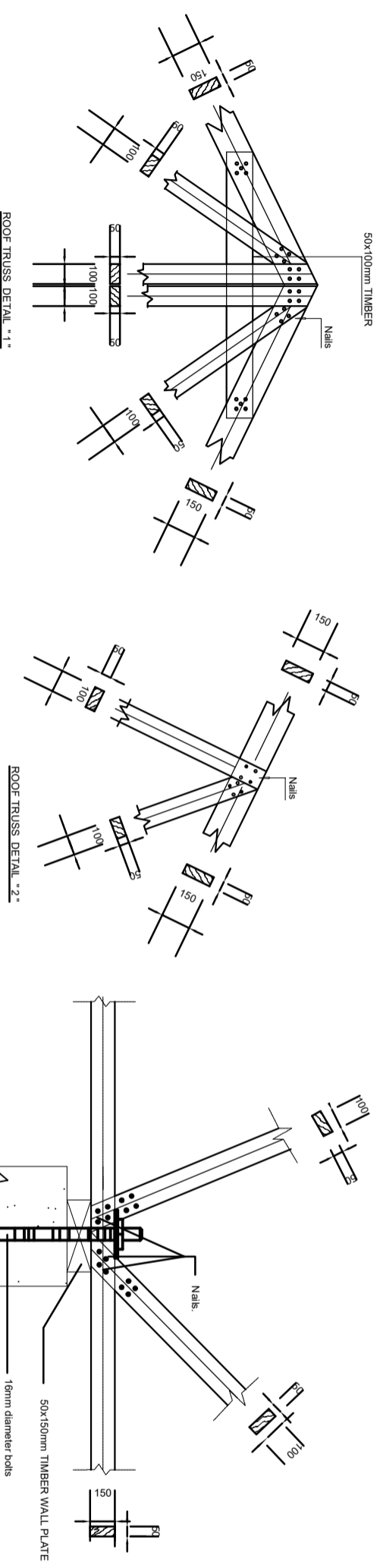
Date: **2018**

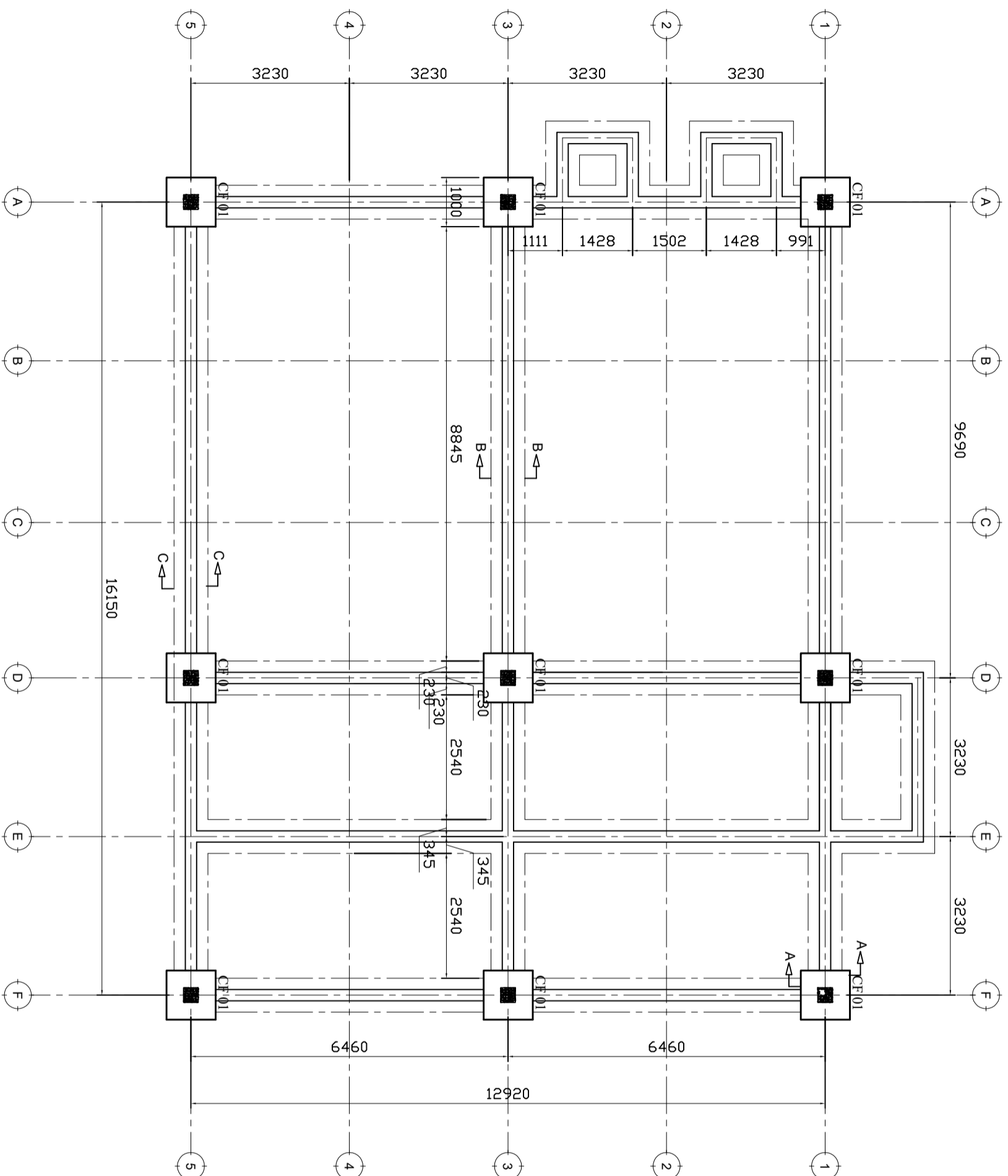
Scale:

Drawing No.

Sheet:

MST/S.109





NOTE:

1. All dimensions are in mm unless otherwise specified
2. All discrepancies shall be referred to the structural engineer
3. Reinforced concrete shall be of grade 20 with $f_{cu}=25N/mm^2$ at 28 days of age
4. Main reinforcements shall be high tensile steel with $f_y = 460N/mm^2$
5. Nominal cover to the reinforcements:
 - a) Foundation 50mm
 - b) Column 25mm
 - c) Beam 25mm
 - d) Slab 25mm

PROJECT:

PROPOSED STANDARD DRAWINGS FOR COUNCIL HOSPITALS IN TANZANIA

CLIENT:

**PRESIDENT'S OFFICE
REGIONAL ADMINISTRATION
LOCAL GOVERNMENT**

**MINISTRY OF HEALTH,
COMMUNITY DEVELOPMENT,
GENDER AND CHILDREN**

**DRAWING TITLE:
MAIN STORE FOUNDATION
LAYOUT**

Designed by: Eng. R.A.M

Drawn by: Eng. R.A.M

Checked by: Eng. A. NGATOMELA

Approved by:

Date: **2018**

Scale:

Drawing No.

Sheet:

MST/S.101