

**FOUNDATION PLAN**

**NOTE:**

1. All dimensions are in mm unless otherwise specified
2. All discrepancies shall be referred to the structural engineer
3. Reinforced concrete shall be of grade 20 with  $f_{cu}=25N/mm^2$  at 28 days of age
4. Main reinforcements shall be high tensile steel with  $f_y = 460N/mm^2$
5. Nominal cover to the reinforcements:
  - a) Foundation 50mm
  - b) Column 25mm
  - c) Beam 25mm
  - d) Slab 25mm

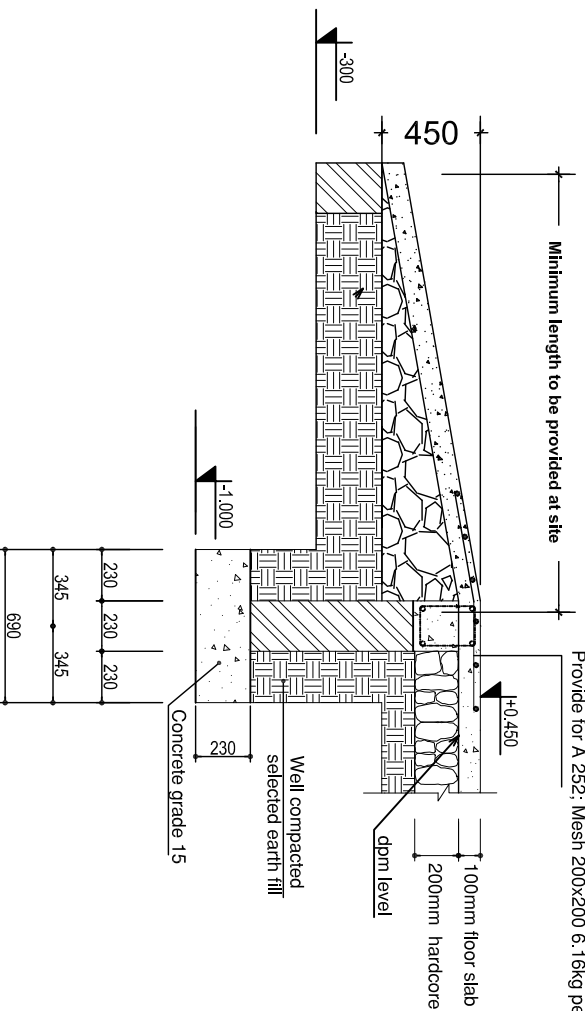
**PROJECT:**  
**PROPOSED STANDARD DRAWINGS FOR COUNCIL HOSPITALS IN TANZANIA**

**CLIENT:**  
**PRESIDENT'S OFFICE REGIONAL ADMINISTRATION LOCAL GOVERNMENT**  
**MINISTRY OF HEALTH, COMMUNITY DEVELOPMENT, GENDER AND CHILDREN**

**DRAWING TITLE:**  
**ISOLATION WARD FOUNDATION PLAN**

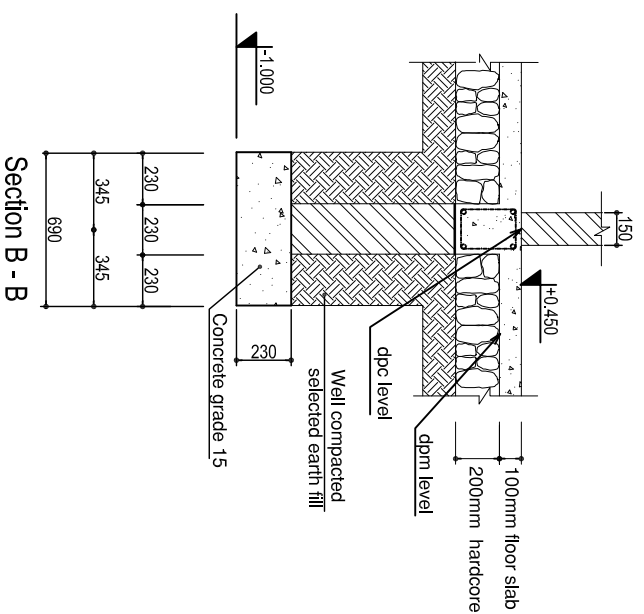
Designed by:	Eng. R.A.M
Drawn by:	ENG. A.NGATOMELA
Checked by:	Eng. R.A.M
Approved by:	
Date:	2018
Scale:	
Drawing No.	ISO/STR.101
Sheet:	

Minimum length to be provided at site

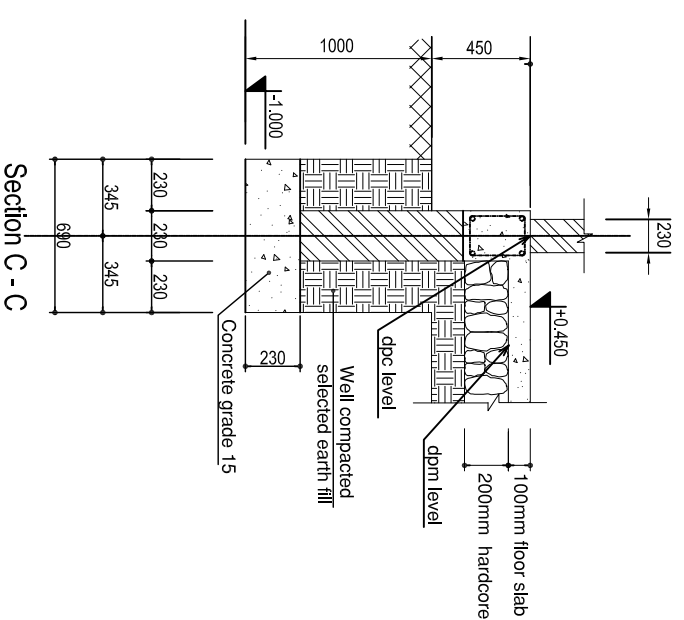


Provide for A 252: Mesh 200x200 6.16kg per square metre

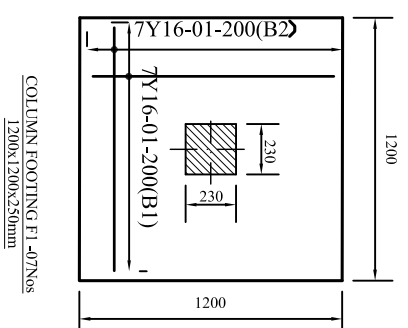
Section D - D: Ramp Details



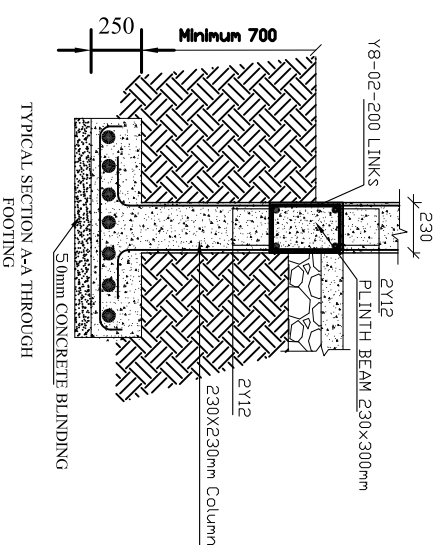
Section B - B



Section C - C



COLUMN FOOTING E1 -07Nos  
1200x1200x250mm



TYPICAL SECTION A-A THROUGH FOOTING

# FOUNDATION DETAILS

## NOTE:

1. All dimensions are in mm unless otherwise specified
2. All discrepancies shall be referred to the structural engineer
3. Reinforced concrete shall be of grade 20 with  $f_{cu}=25N/mm^2$  at 28 days of age
4. Main reinforcements shall be high tensile steel with  $f_y = 460N/mm^2$
5. Nominal cover to the reinforcements:
  - a) Foundation 50mm
  - b) Column 25mm
  - c) Beam 25mm
  - d) Slab 25mm

## PROJECT:

**PROPOSED STANDARD DRAWINGS FOR COUNCIL HOSPITALS IN TANZANIA**

## CLIENT:

**PRESIDENT'S OFFICE  
REGIONAL ADMINISTRATION  
LOCAL GOVERNMENT**

**MINISTRY OF HEALTH,  
COMMUNITY DEVELOPMENT,  
GENDER AND CHILDREN**

## DRAWING TITLE: ISOLATION WARD FOUNDATION DETAILS

Designed by: Eng. R.A.M

Drawn by: ENG. A.NGATOMELA

Checked by: Eng. R.A.M

Approved by:

Date: **2018** Scale:

Drawing No. Sheet:

**ISO/STR.102**

- NOTE:**
1. All dimensions are in mm unless otherwise specified
  2. All discrepancies shall be referred to the structural engineer
  3. Reinforced concrete shall be of grade 20 with  $f_{cu}=25N/mm^2$  at 28 days of age
  4. Main reinforcements shall be high tensile steel with  $f_y = 460N/mm^2$
  5. Nominal cover to the reinforcements:
    - a) Foundation 50mm
    - b) Column 25mm
    - c) Beam 25mm
    - d) Slab 25mm

**PROJECT:**

**PROPOSED STANDARD  
DRAWINGS FOR COUNCIL  
HOSPITALS IN TANZANIA**

**CLIENT:**

**PRESIDENT'S OFFICE  
REGIONAL ADMINISTRATION  
LOCAL GOVERNMENT**

**MINISTRY OF HEALTH,  
COMMUNITY DEVELOPMENT,  
GENDER AND CHILDREN**

**DRAWING TITLE:  
ISOLATION WARD  
PLINTH BEAM LAYOUT**

Designed by: Eng. R.A.M

Drawn by: ENG. A.NGATOMELA

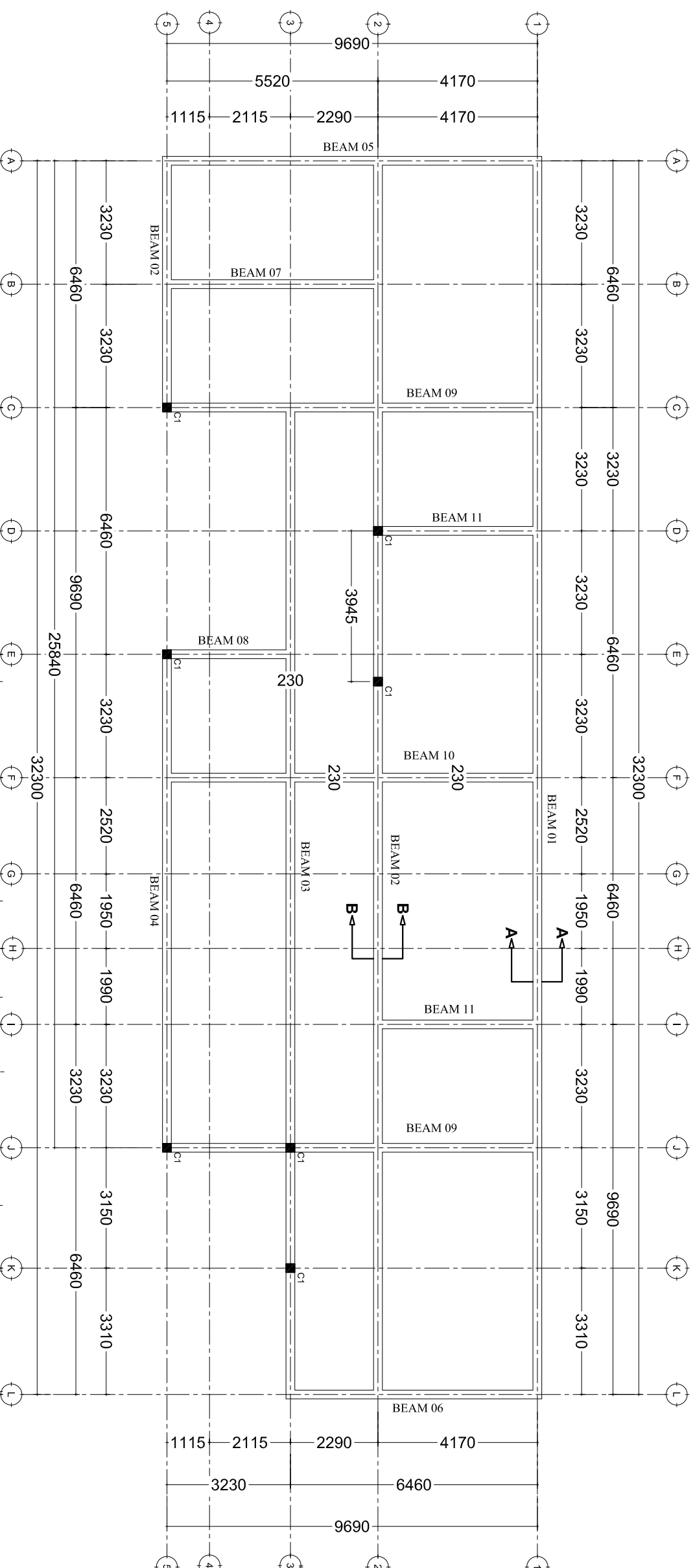
Checked by: Eng. R.A.M

Approved by:

Date: **2018** Scale:

Drawing No. Sheet:

**ISO/STR.103**



**PLINTH BEAMS LAYOUT**

**NOTE:**

1. All dimensions are in mm unless otherwise specified
2. All discrepancies shall be referred to the structural engineer
3. Reinforced concrete shall be of grade 20 with  $f_{cu}=25N/mm^2$  at 28 days of age
4. Main reinforcements shall be high tensile steel with  $f_y = 460N/mm^2$
5. Nominal cover to the reinforcements:
  - a) Foundation 50mm
  - b) Column 25mm
  - c) Beam 25mm
  - d) Slab 25mm

**PROJECT:**

**PROPOSED STANDARD  
DRAWINGS FOR COUNCIL  
HOSPITALS IN TANZANIA**

**CLIENT:**

**PRESIDENT'S OFFICE  
REGIONAL ADMINISTRATION  
LOCAL GOVERNMENT**

**MINISTRY OF HEALTH,  
COMMUNITY DEVELOPMENT,  
GENDER AND CHILDREN**

**DRAWING TITLE:  
ISOLATION WARD  
PLINTH BEAM DETAILS**

Designed by: Eng. R.A.M

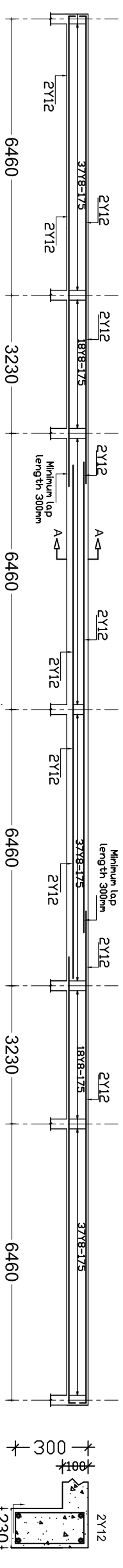
Drawn by: ENG. A.NGATOWELA

Checked by: Eng. R.A.M

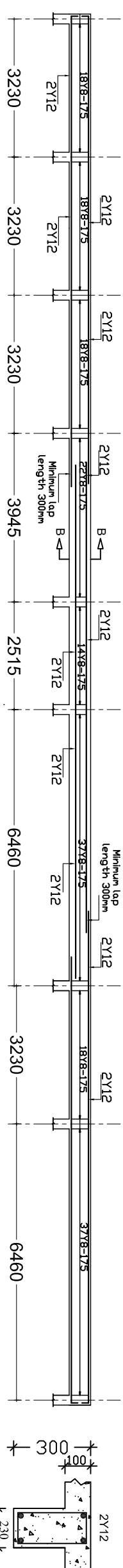
Approved by:

Date: **2018** Scale:

Drawing No. **HCTS/STR.104** Sheet:



TYPICAL RING BEAM 01  
SECTION 230x300mm FDR  
ALL EXTERNAL BEAMS



TYPICAL RING BEAM 02  
SECTION 230x300mm FDR  
ALL INTERNAL BEAMS



**NOTE:**

1. All dimensions are in mm unless otherwise specified
2. All discrepancies shall be referred to the structural engineer
3. Reinforced concrete shall be of grade 20 with  $f_{cu}=25N/mm^2$  at 28 days of age
4. Main reinforcements shall be high tensile steel with  $f_y = 460N/mm^2$
5. Nominal cover to the reinforcements:
  - a) Foundation 50mm
  - b) Column 25mm
  - c) Beam 25mm
  - d) Slab 25mm

**PROJECT:**

**PROPOSED STANDARD  
DRAWINGS FOR COUNCIL  
HOSPITALS IN TANZANIA**

**CLIENT:**

**PRESIDENT'S OFFICE  
REGIONAL ADMINISTRATION  
LOCAL GOVERNMENT**

**MINISTRY OF HEALTH,  
COMMUNITY DEVELOPMENT,  
GENDER AND CHILDREN**

**DRAWING TITLE:  
ISOLATION WARD  
RING BEAM DETAILS**

Designed by: Eng. R.A.M

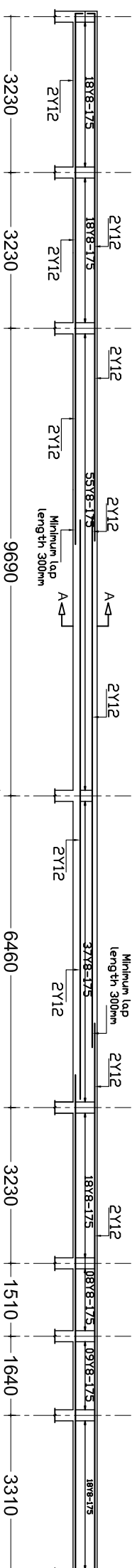
Drawn by: ENG. A.NGATOMELA

Checked by: Eng. R.A.M

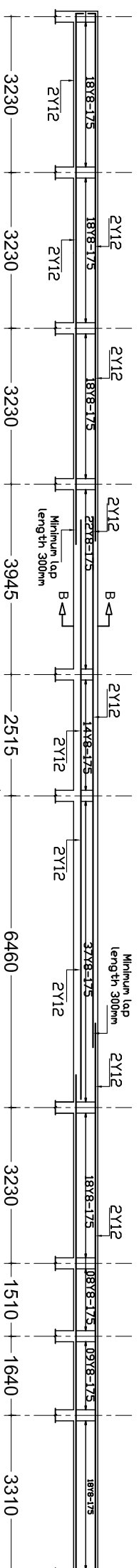
Approved by:

Date: **2018** Scale:

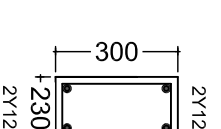
Drawing No. **ISO/STR.106** Sheet:



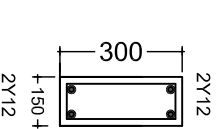
TYPICAL RING BEAM 02  
SECTION 230x300mm FDR  
ALL EXTERNAL BEAMS



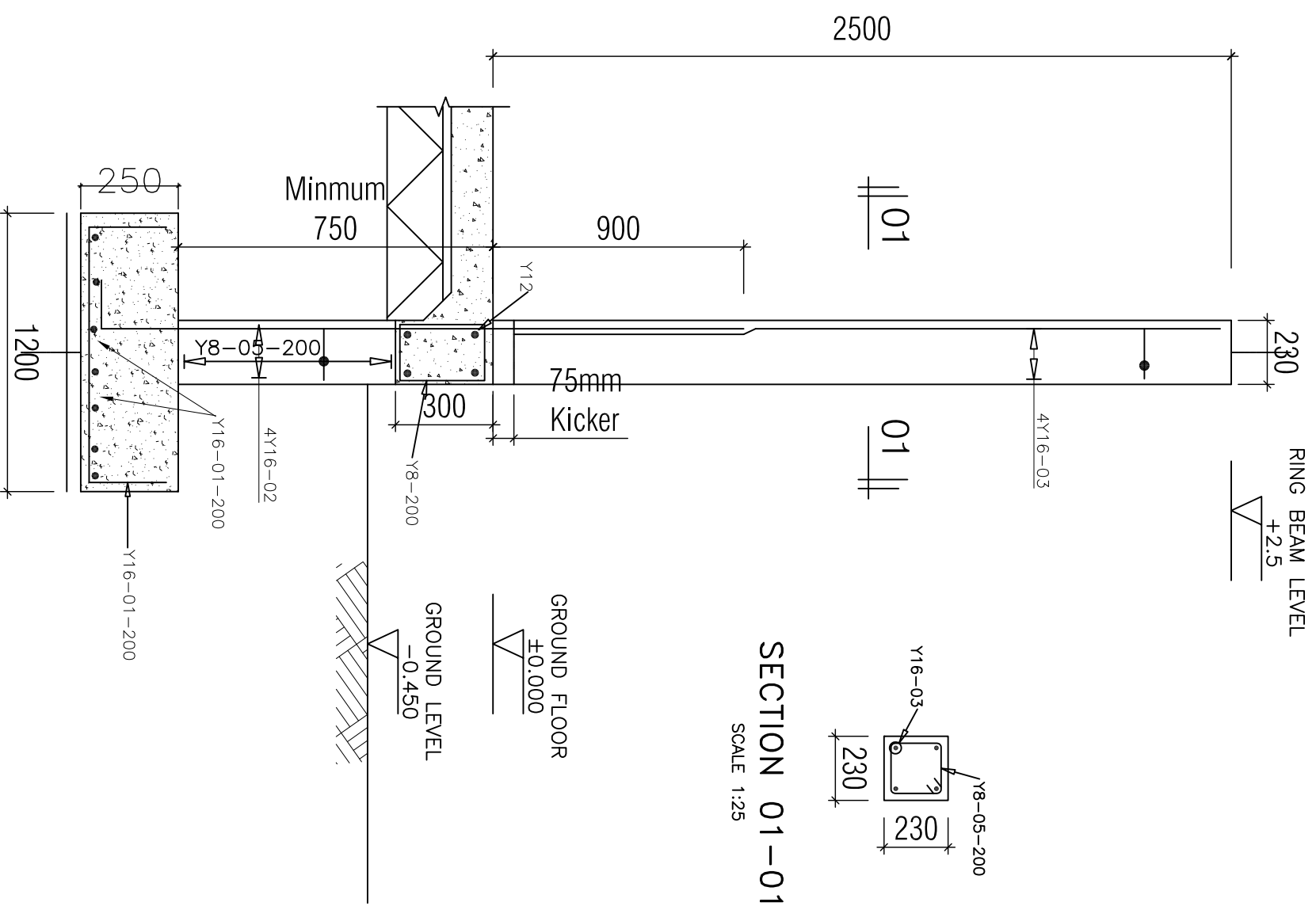
TYPICAL RING BEAM 02  
SECTION 150x300mm FDR  
ALL INTERNAL BEAMS



SECTION A-A



SECTION B-B



SECTION 01-01

SCALE 1:25

COLUMN C1  
DETAIL 01  
(230x230mm)

SCALE 1:25

**NOTE:**

1. All dimensions are in mm unless otherwise specified
2. All discrepancies shall be referred to the structural engineer
3. Reinforced concrete shall be of grade 20 with  $f_{cu}=25N/mm^2$  at 28 days of age
4. Main reinforcements shall be high tensile steel with  $f_y = 460N/mm^2$
5. Nominal cover to the reinforcements:
  - a) Foundation 50mm
  - b) Column 25mm
  - c) Beam 25mm
  - d) Slab 25mm

**PROJECT:**

**PROPOSED STANDARD  
DRAWINGS FOR COUNCIL  
HOSPITALS IN TANZANIA**

**CLIENT:**

**PRESIDENT'S OFFICE  
REGIONAL ADMINISTRATION  
LOCAL GOVERNMENT**

**MINISTRY OF HEALTH,  
COMMUNITY DEVELOPMENT,  
GENDER AND CHILDREN**

**DRAWING TITLE:  
ISOLATION WARD  
COLUMN DETAILS**

Designed by: Eng. R.A.M

Drawn by: ENG. A.NGATOMELA

Checked by: Eng. R.A.M

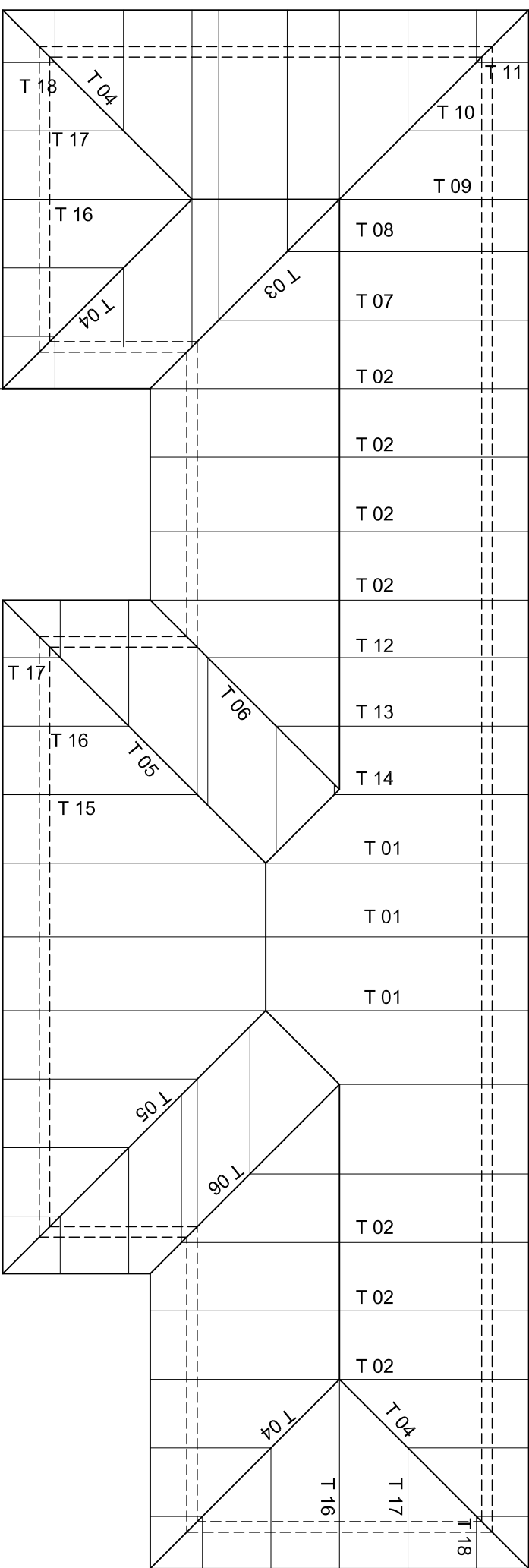
Approved by:

Date: 2018 Scale:

Drawing No. Sheet:

ISO/STR.107

1145 1500 1500 1500 1145 1500 1500 1145 1500 1500 1630 1500 1260 1500 1500 1500 1500 1615 1615 1615 1960 1500 1500 1500 1500 1145



1260 1500 470 1145 1500 1500 1500 1500 1145

**TRUSS LAYOUT**

1145 1500 1500 1500 1500 1145 1500 1630 1500 1260 1500 1500 1500 1500 1615 1615 1500 1500 1500 1260 815 1500 1500 1500 1145

**NOTE:**

1. All dimensions are in mm unless otherwise specified
2. All discrepancies shall be referred to the structural engineer
3. Reinforced concrete shall be of grade 20 with  $f_{cu}=25N/mm^2$  at 28 days of age
4. Main reinforcements shall be high tensile steel with  $f_y = 460N/mm^2$
5. Nominal cover to the reinforcements:
  - a) Foundation 50mm
  - b) Column 25mm
  - c) Beam 25mm
  - d) Slab 25mm

**PROJECT:**

**PROPOSED STANDARD DRAWINGS FOR COUNCIL HOSPITALS IN TANZANIA**

**CLIENT:**

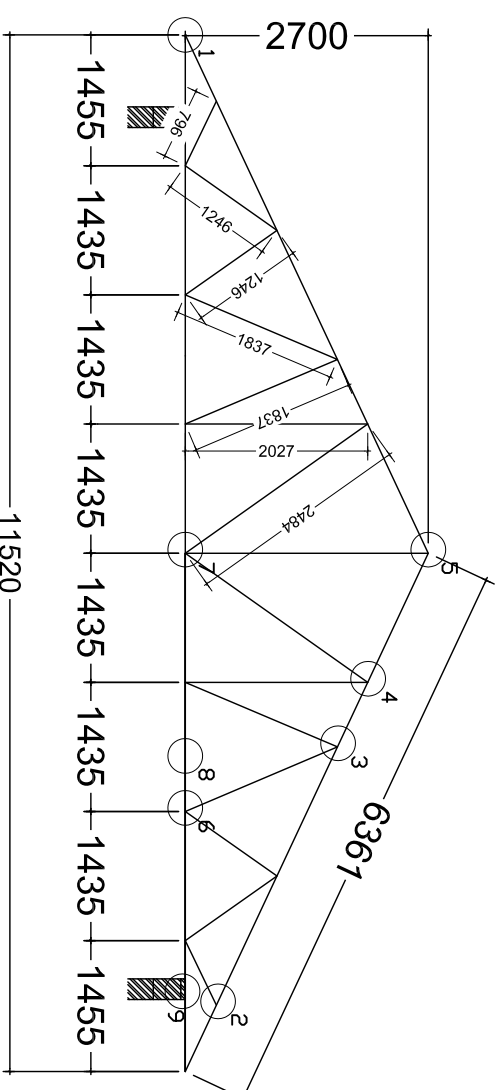
**PRESIDENT'S OFFICE  
REGIONAL ADMINISTRATION  
LOCAL GOVERNMENT**

**MINISTRY OF HEALTH,  
COMMUNITY DEVELOPMENT,  
GENDER AND CHILDREN**

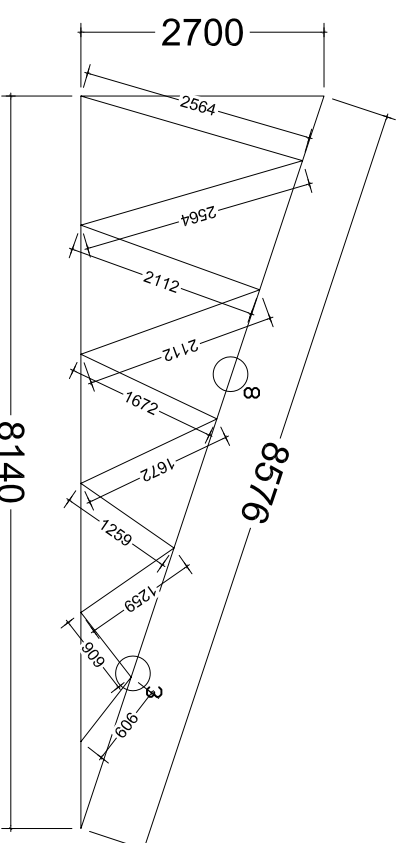
**DRAWING TITLE:  
ISOLATION WARD  
TRUSS LAYOUT**

Designed by:	Eng. R.A.M
Drawn by:	ENG. A.NGATOMELA
Checked by:	Eng. R.A.M
Approved by:	
Date:	2018
Scale:	
Drawing No.	ISO/STR.108
Sheet:	

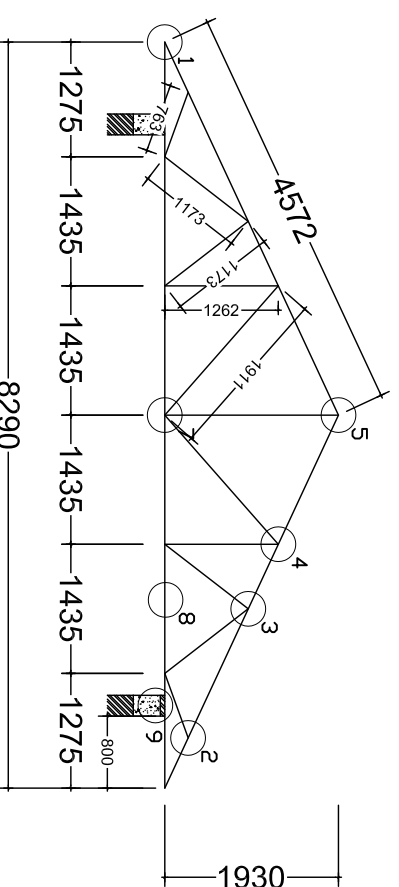




TYPICAL ROOF TRUSS T01



TYPICAL ROOF TRUSS T05



TYPICAL ROOF TRUSS T02

**NOTE:**

1. All dimensions are in mm unless otherwise specified
2. All discrepancies shall be referred to the structural engineer
3. Reinforced concrete shall be of grade 20 with  $f_{cu}=25N/mm^2$  at 28 days of age
4. Main reinforcements shall be high tensile steel with  $f_y = 460N/mm^2$
5. Nominal cover to the reinforcements:
  - a) Foundation 50mm
  - b) Column 25mm
  - c) Beam 25mm
  - d) Slab 25mm

**PROJECT:**

**PROPOSED STANDARD DRAWINGS FOR COUNCIL HOSPITALS IN TANZANIA**

**CLIENT:**

**PRESIDENT'S OFFICE  
REGIONAL ADMINISTRATION  
LOCAL GOVERNMENT**

**MINISTRY OF HEALTH,  
COMMUNITY DEVELOPMENT,  
GENDER AND CHILDREN**

**DRAWING TITLE:  
ISOLATION WARD  
TRUSS**

Designed by: Eng. R.A.M

Drawn by: ENG. A.NGATOMELA

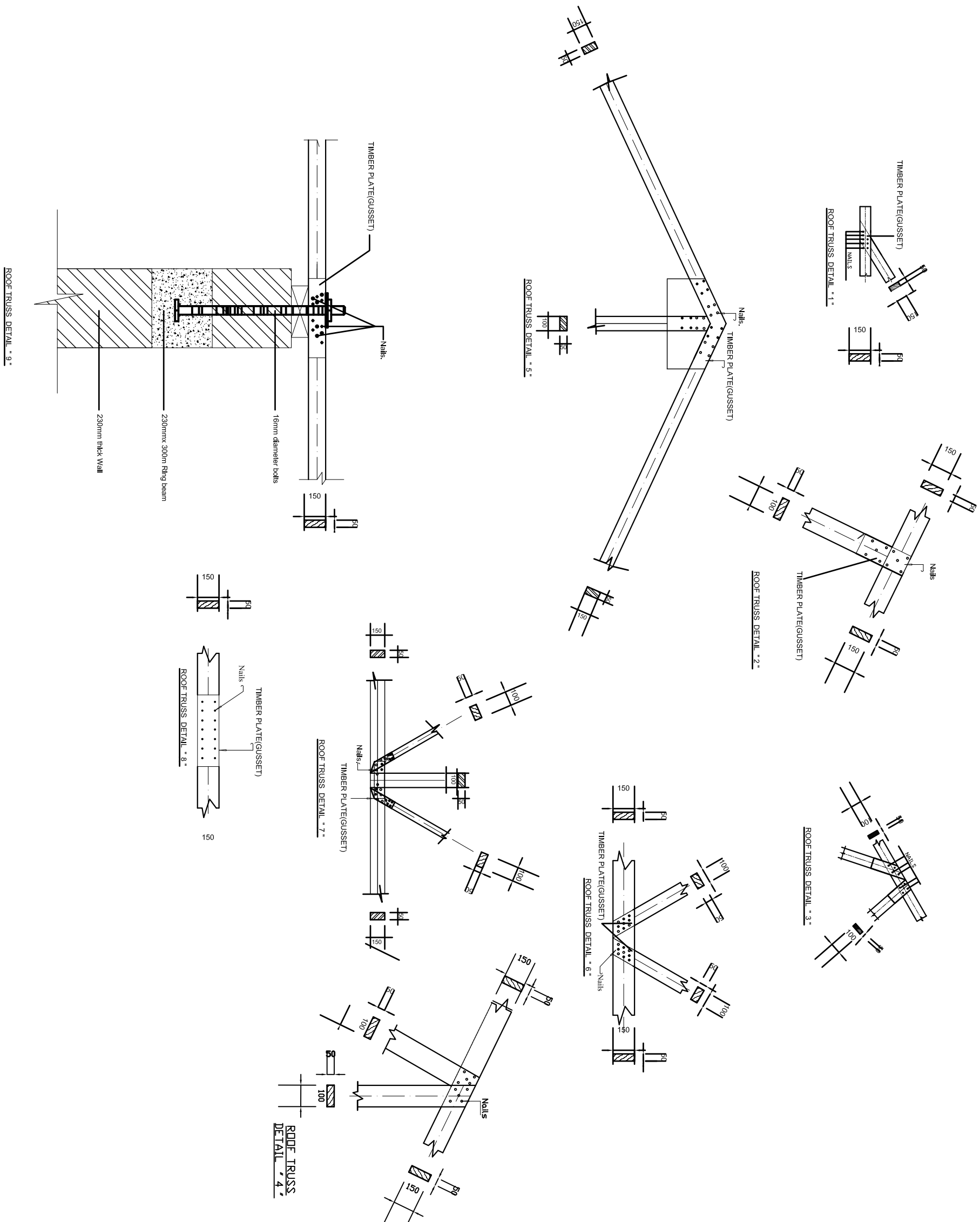
Checked by: Eng. R.A.M

Approved by:

Date: **2018** Scale:

Drawing No. Sheet:

**ISO/STR.109**



**NOTE:**

1. All dimensions are in mm unless otherwise specified
2. All discrepancies shall be referred to the structural engineer
3. Reinforced concrete shall be of grade 20 with  $f_{cu}=25N/mm^2$  at 28 days of age
4. Main reinforcements shall be high tensile steel with  $f_y = 460N/mm^2$
5. Nominal cover to the reinforcements:
  - a) Foundation 50mm
  - b) Column 25mm
  - c) Beam 25mm
  - d) Slab 25mm

**PROJECT:**

**PROPOSED STANDARD  
DRAWINGS FOR COUNCIL  
HOSPITALS IN TANZANIA**

**CLIENT:**

**PRESIDENT'S OFFICE  
REGIONAL ADMINISTRATION  
LOCAL GOVERNMENT**

**MINISTRY OF HEALTH,  
COMMUNITY DEVELOPMENT,  
GENDER AND CHILDREN**

**DRAWING TITLE:  
ISOLATION WARD  
TRUSS DETAILS & CONNECTION 01**

Designed by: Eng. R.A.M

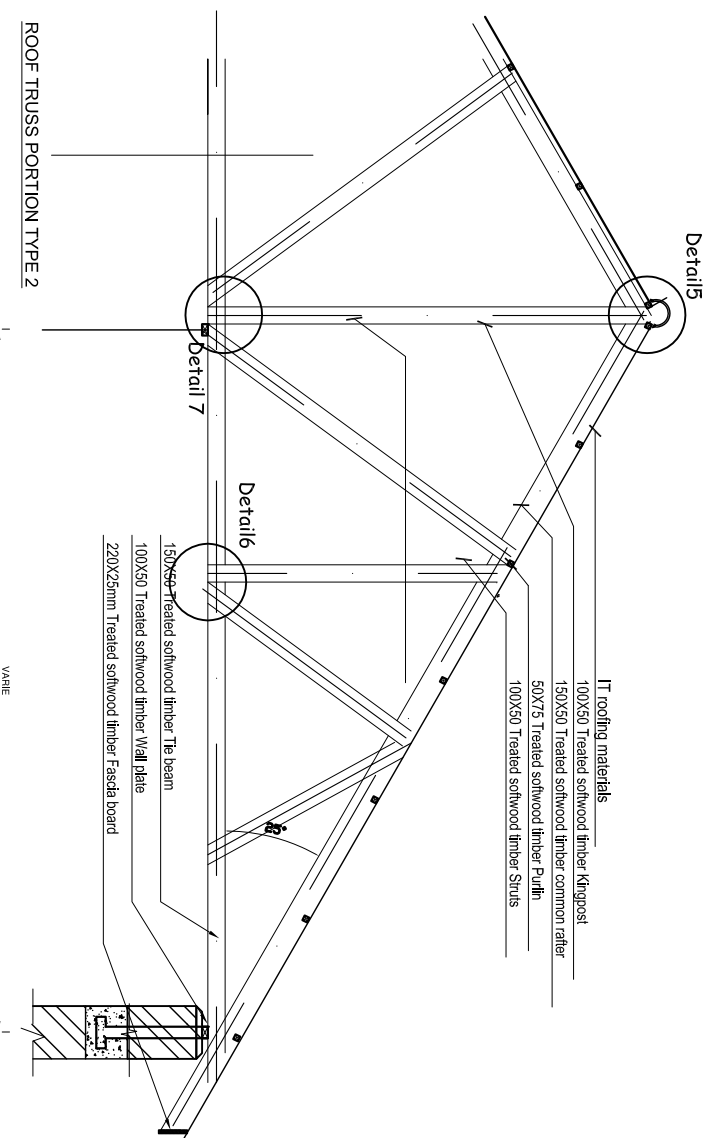
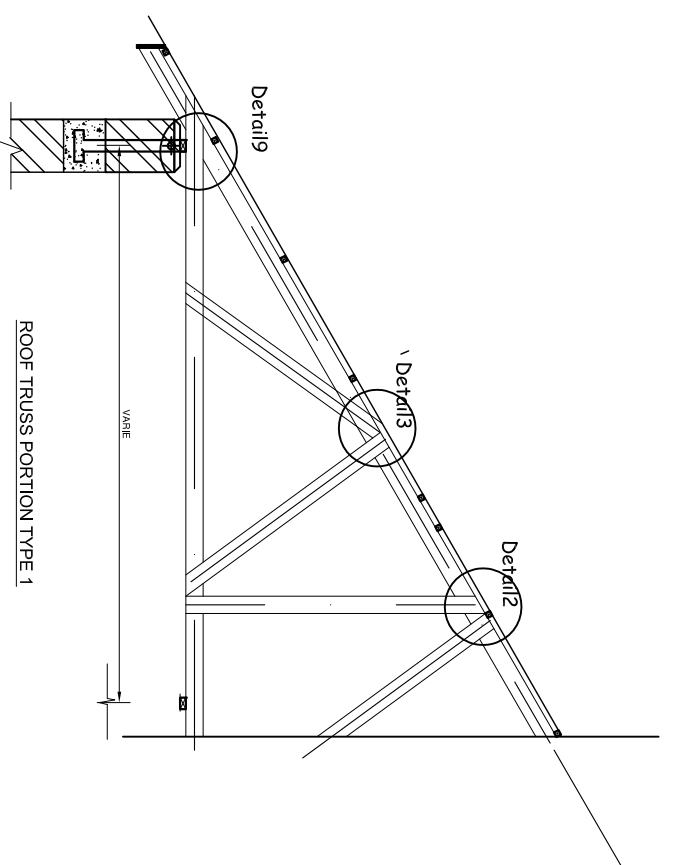
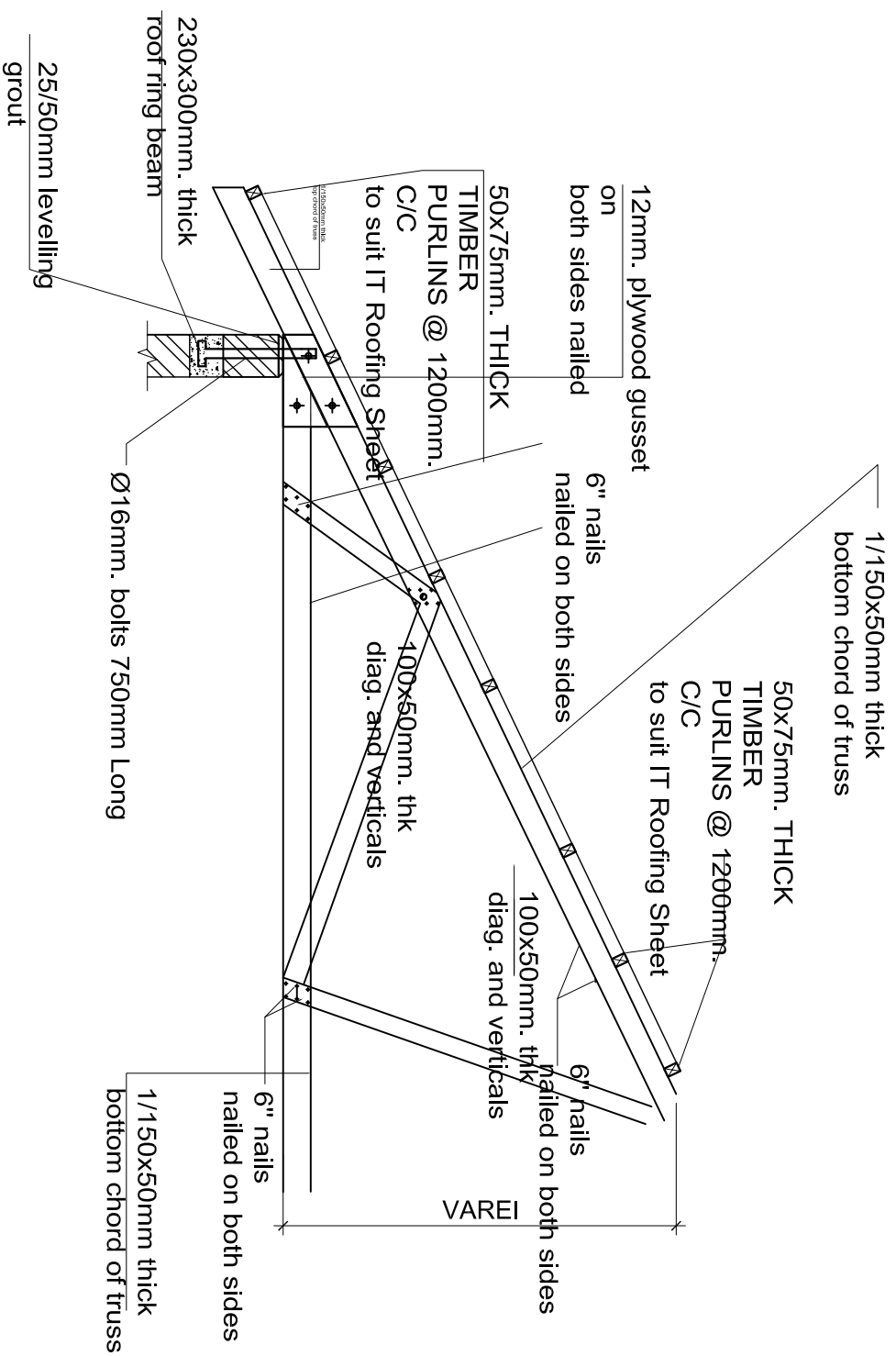
Drawn by: ENG. A.NGATOWELA

Checked by: Eng. R.A.M

Approved by:

Date: **2018** Scale:

Drawing No. **ISO/STR.110** Sheet:



**NOTE:**

1. All dimensions are in mm unless otherwise specified
2. All discrepancies shall be referred to the structural engineer
3. Reinforced concrete shall be of grade 20 with  $f_{cu}=25N/mm^2$  at 28 days of age
4. Main reinforcements shall be high tensile steel with  $f_y = 460N/mm^2$
5. Nominal cover to the reinforcements:
  - a) Foundation 50mm
  - b) Column 25mm
  - c) Beam 25mm
  - d) Slab 25mm

**PROJECT:**

**PROPOSED STANDARD DRAWINGS FOR COUNCIL HOSPITALS IN TANZANIA**

**CLIENT:**

**PRESIDENT'S OFFICE  
REGIONAL ADMINISTRATION  
LOCAL GOVERNMENT**

**MINISTRY OF HEALTH,  
COMMUNITY DEVELOPMENT,  
GENDER AND CHILDREN**

**DRAWING TITLE:  
ISOLATION WARD  
TRUSS DETAILS & CONNECTION 02**

Designed by: Eng. R.A.M

Drawn by: ENG. A. NGATOMELA

Checked by: Eng. R.A.M

Approved by:

Date: 2018 Scale:

Drawing No. Sheet:

ISO/STR.111