

# FOUNDATION PLAN

**NOTE:**

1. All dimensions are in mm unless otherwise specified
2. All discrepancies shall be referred to the structural engineer
3. Reinforced concrete shall be of grade 20 with  $f_{cu}=25N/mm^2$  at 28 days of age
4. Main reinforcements shall be high tensile steel with  $f_y = 460N/mm^2$
5. Nominal cover to the reinforcements:
  - a) Foundation 50mm
  - b) Column 25mm
  - c) Beam 25mm
  - d) Slab 25mm

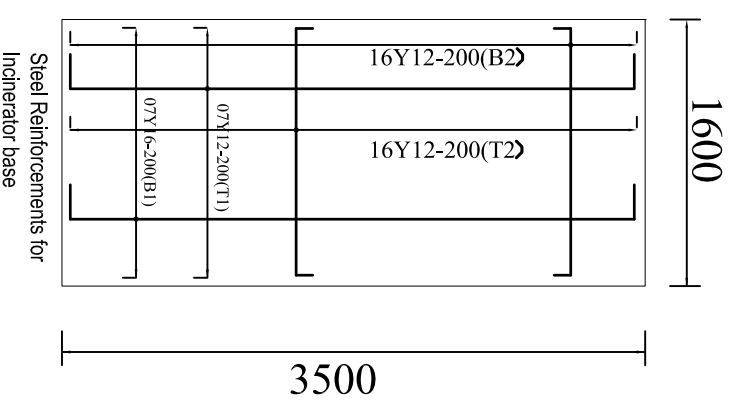
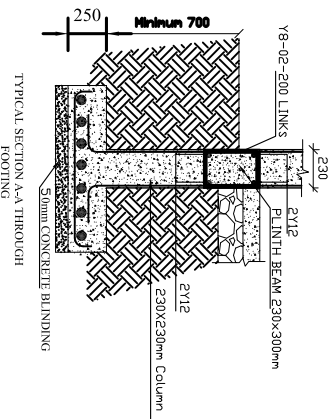
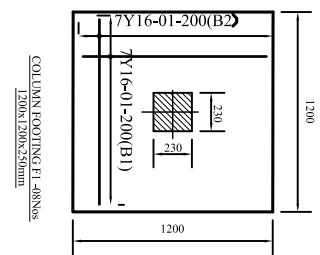
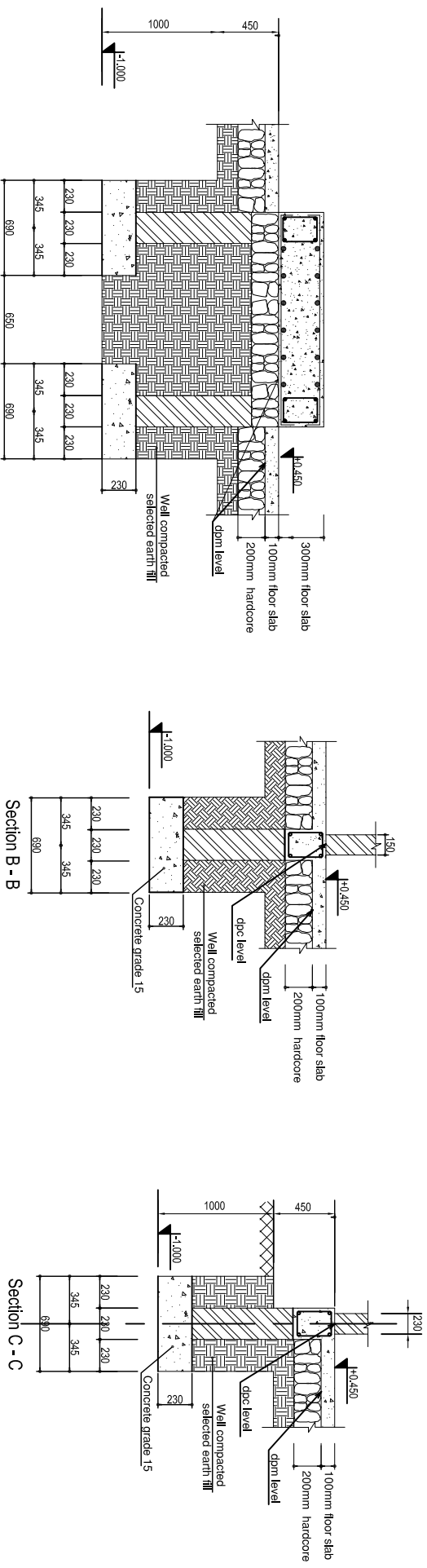
**PROJECT:**  
**PROPOSED STANDARD DRAWINGS FOR COUNCIL HOSPITALS IN TANZANIA**

**CLIENT:** PRESIDENT'S OFFICE  
 REGIONAL ADMINISTRATION  
 LOCAL GOVERNMENT  
 MINISTRY OF HEALTH,  
 COMMUNITY DEVELOPMENT,  
 GENDER AND CHILDREN

**DRAWING TITLE:**  
**INCINERATOR HOUSE FOUNDATION PLAN**

Designed by: Eng. R.A.M  
 Drawn by: ENG. A.NGATOMELA  
 Checked by: Eng. R.A.M  
 Approved by:

Date: 2018 Scale:  
 Drawing No. INC/STR.101 Sheet:



# FOUNDATION DETAILS

## NOTE:

1. All dimensions are in mm unless otherwise specified
2. All discrepancies shall be referred to the structural engineer
3. Reinforced concrete shall be of grade 20 with  $f_{cu}=25N/mm^2$  at 28 days of age
4. Main reinforcements shall be high tensile steel with  $f_y = 460N/mm^2$
5. Nominal cover to the reinforcements:
  - a) Foundation 50mm
  - b) Column 25mm
  - c) Beam 25mm
  - d) Slab 25mm

## PROJECT:

**PROPOSED STANDARD DRAWINGS FOR COUNCIL HOSPITALS IN TANZANIA**

## CLIENT:

**PRESIDENT'S OFFICE  
REGIONAL ADMINISTRATION  
LOCAL GOVERNMENT**

**MINISTRY OF HEALTH,  
COMMUNITY DEVELOPMENT,  
GENDER AND CHILDREN**

**DRAWING TITLE:  
INCINERATOR HOUSE  
FOUNDATION DETAILS**

Designed by: Eng. R.A.M

Drawn by: ENG. A. NGATOMELA

Checked by: Eng. R.A.M

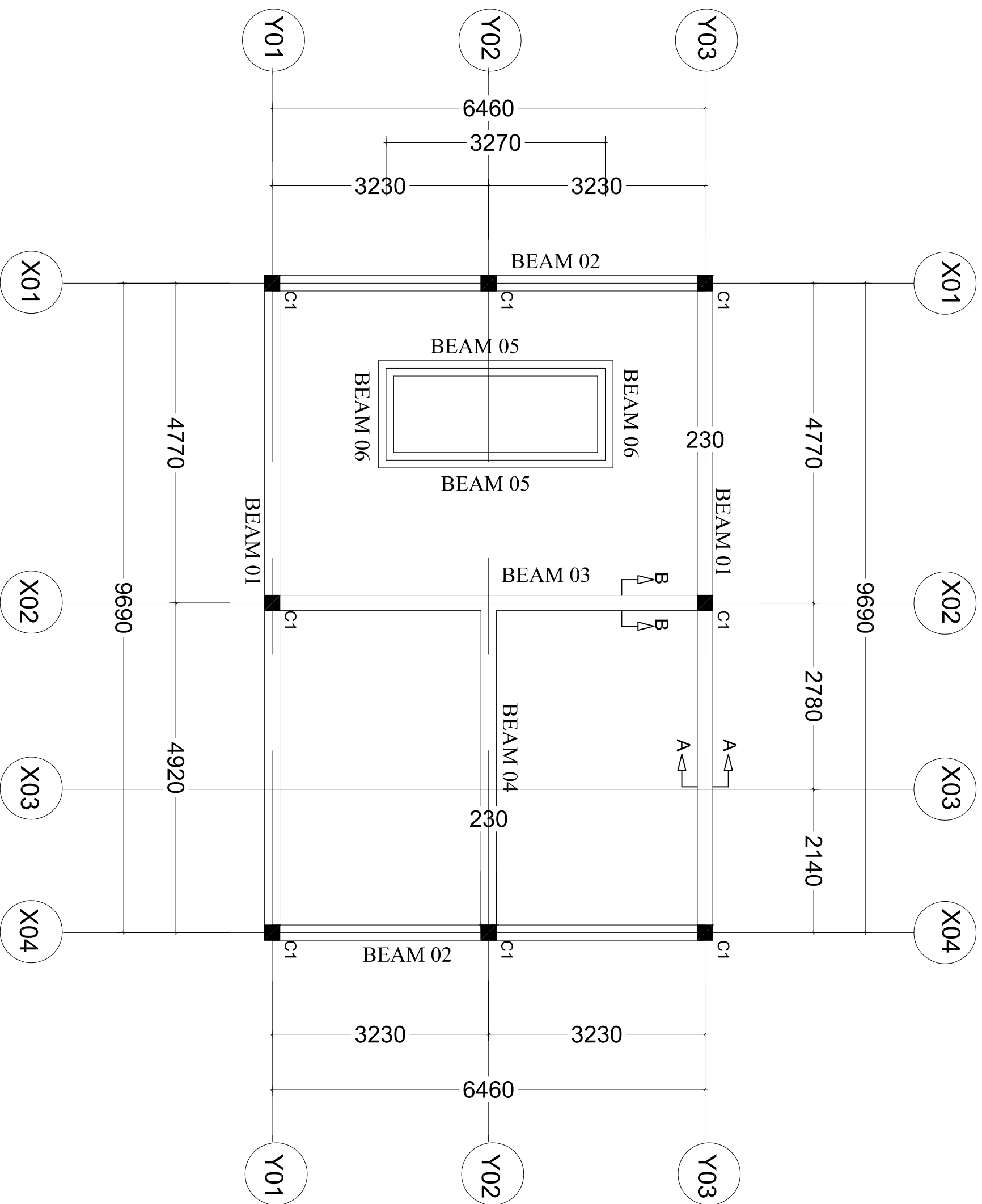
Approved by:

Date: **2018**

Scale:

Drawing No. **INC/STR.102**

Sheet:



# PLINTH BEAMS LAYOUT

- NOTE:**
- All dimensions are in mm unless otherwise specified
  - All discrepancies shall be referred to the structural engineer
  - Reinforced concrete shall be of grade 20 with  $f_{cu}=25N/mm^2$  at 28 days of age
  - Main reinforcements shall be high tensile steel with  $f_y = 460N/mm^2$
  - Nominal cover to the reinforcements:
    - Foundation 50mm
    - Column 25mm
    - Beam 25mm
    - Slab 25mm

**PROJECT:**  
**PROPOSED STANDARD  
 DRAWINGS FOR COUNCIL  
 HOSPITALS IN TANZANIA**

**CLIENT:**  
**PRESIDENT'S OFFICE  
 REGIONAL ADMINISTRATION  
 LOCAL GOVERNMENT**  
  
**MINISTRY OF HEALTH,  
 COMMUNITY DEVELOPMENT,  
 GENDER AND CHILDREN**

**DRAWING TITLE:**  
**INCINERATOR HOUSE  
 PLINTH BEAM LAYOUT**

Designed by: Eng. R.A.M

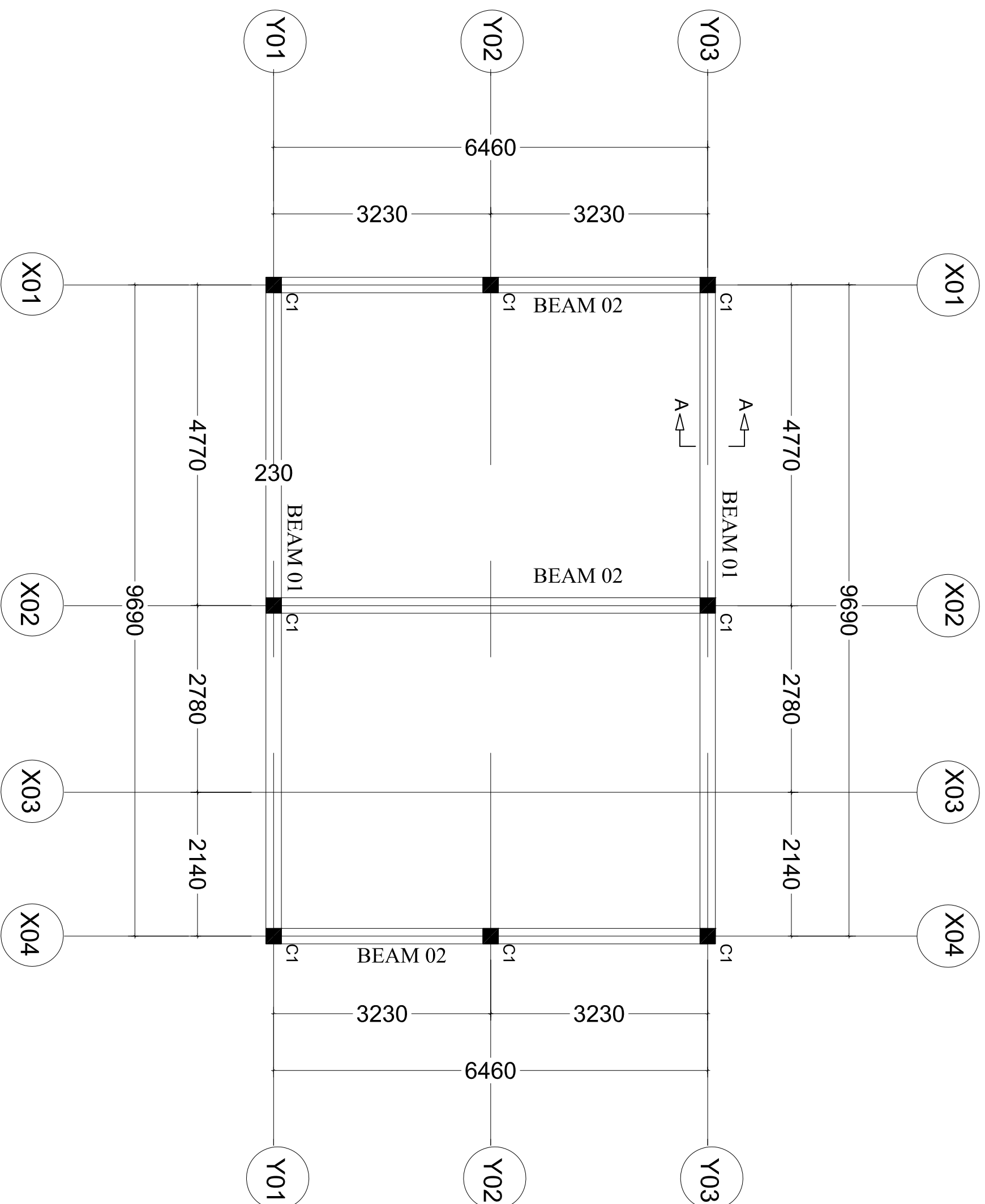
Drawn by: ENG. A.NGATOMELA

Checked by: Eng. R.A.M

Approved by:

Date: **2018** Scale:

Drawing No. **INC/STR.103** Sheet:



# RING BEAMS LAYOUT AT 3.7m

**NOTE:**

1. All dimensions are in mm unless otherwise specified
2. All discrepancies shall be referred to the structural engineer
3. Reinforced concrete shall be of grade 20 with  $f_{cu}=25N/mm^2$  at 28 days of age
4. Main reinforcements shall be high tensile steel with  $f_y = 460N/mm^2$
5. Nominal cover to the reinforcements:
  - a) Foundation 50mm
  - b) Column 25mm
  - c) Beam 25mm
  - d) Slab 25mm

**PROJECT:**

**PROPOSED STANDARD  
DRAWINGS FOR COUNCIL  
HOSPITALS IN TANZANIA**

**CLIENT:**

**PRESIDENT'S OFFICE  
REGIONAL ADMINISTRATION  
LOCAL GOVERNMENT**

**MINISTRY OF HEALTH,  
COMMUNITY DEVELOPMENT,  
GENDER AND CHILDREN**

**DRAWING TITLE:  
INCINERATOR HOUSE  
RING BEAM LAYOUT**

Designed by: Eng. R.A.M

Drawn by: ENG. A.NGATOMELA

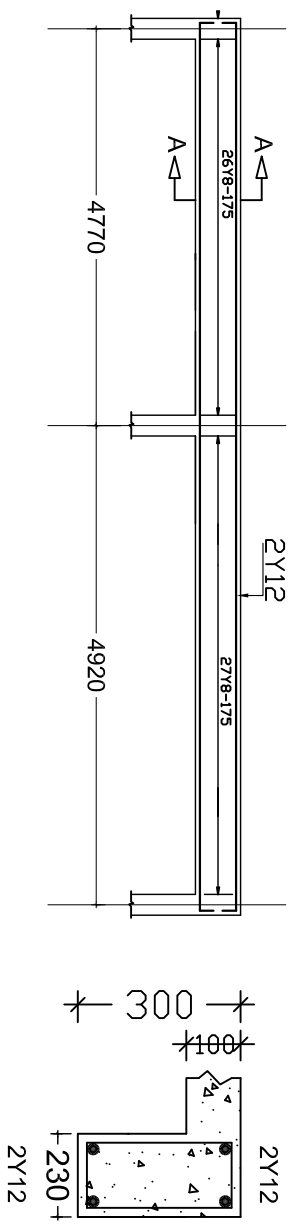
Checked by: Eng. R.A.M

Approved by:

Date: 2018 Scale:

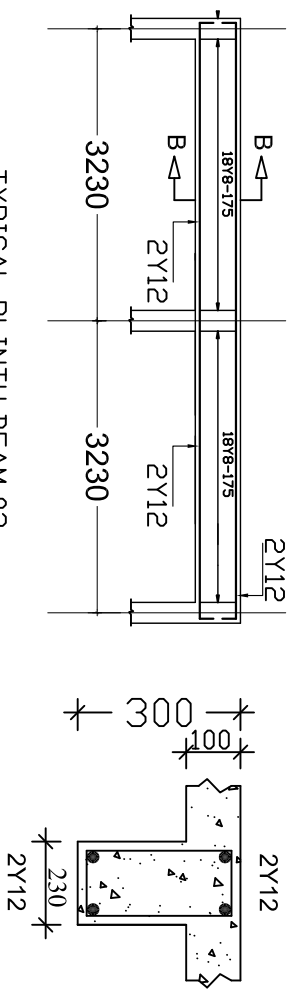
Drawing No. Sheet:

**INC/STR.104**



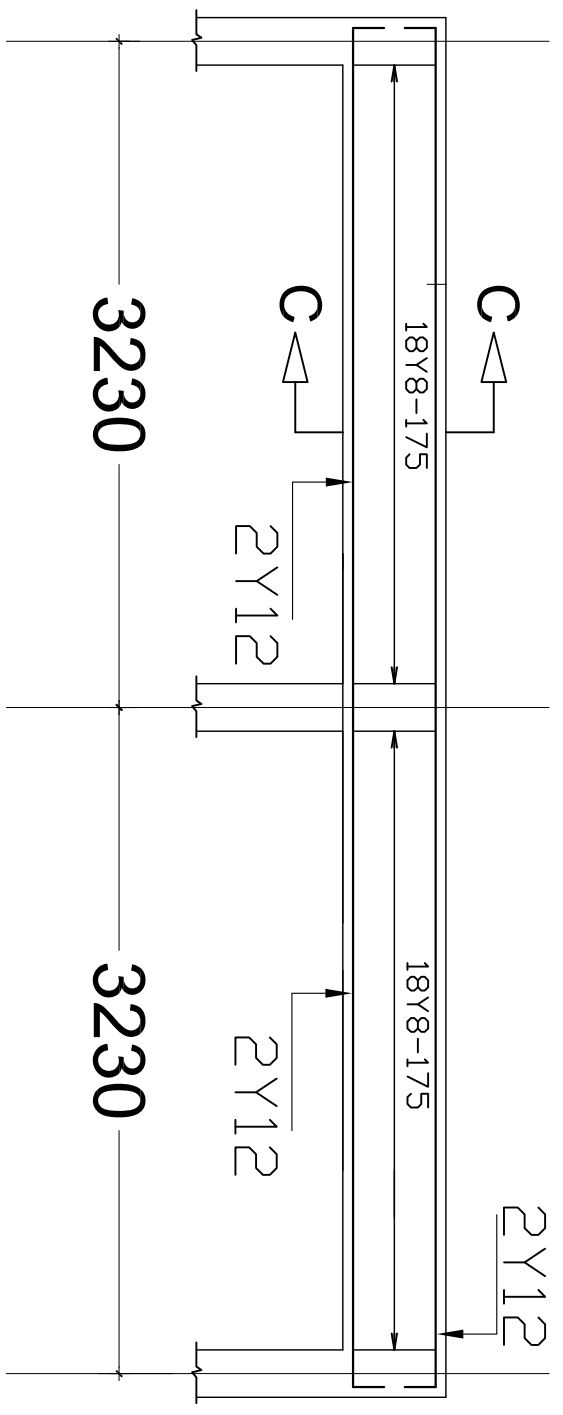
TYPICAL PLINTH BEAM 01  
SECTION 230x300mm FDR  
ALL EXTERNAL BEAMS

SECTION A-A



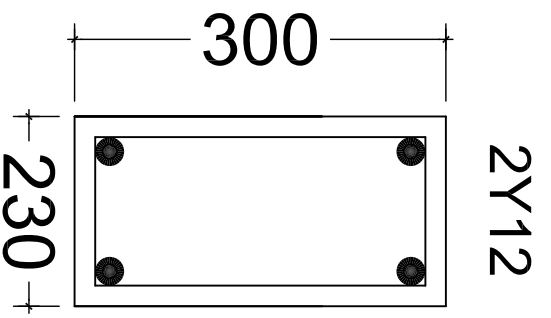
TYPICAL PLINTH BEAM 03  
SECTION 230x300mm FDR  
ALL INTERNAL BEAMS

SECTION B-B



TYPICAL RING BEAM 02  
SECTION 230x300mm FDR  
ALL EXTERNAL BEAMS

SECTION C-C



**NOTE:**

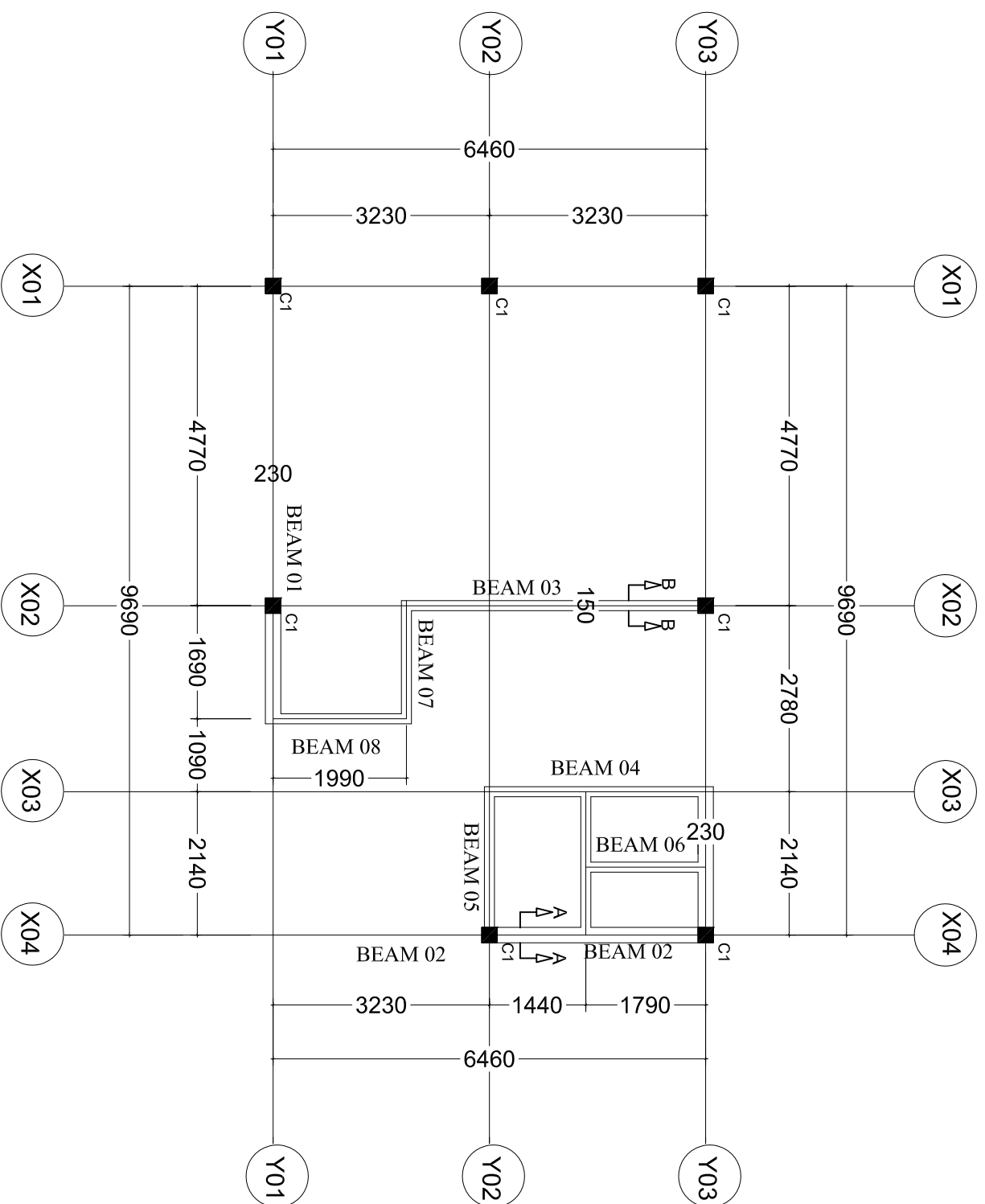
1. All dimensions are in mm unless otherwise specified
2. All discrepancies shall be referred to the structural engineer
3. Reinforced concrete shall be of grade 20 with  $f_{cu}=25N/mm^2$  at 28 days of age
4. Main reinforcements shall be high tensile steel with  $f_y = 460N/mm^2$
5. Nominal cover to the reinforcements:
  - a) Foundation 50mm
  - b) Column 25mm
  - c) Beam 25mm
  - d) Slab 25mm

PROJECT:  
**PROPOSED STANDARD DRAWINGS FOR COUNCIL HOSPITALS IN TANZANIA**

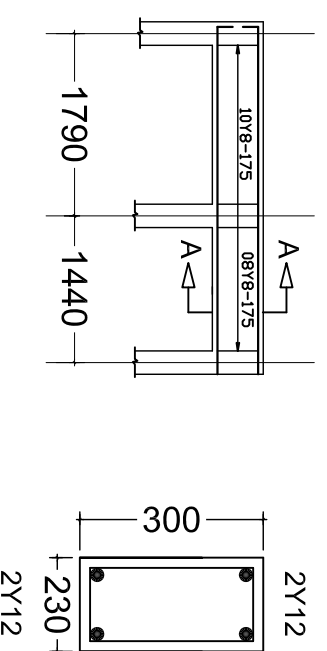
CLIENT: **PRESIDENT'S OFFICE REGIONAL ADMINISTRATION LOCAL GOVERNMENT**  
**MINISTRY OF HEALTH, COMMUNITY DEVELOPMENT, GENDER AND CHILDREN**

DRAWING TITLE:  
**INCINERATOR HOUSE PLINTH BEAM DETAILS & RING BEAM DETAILS**

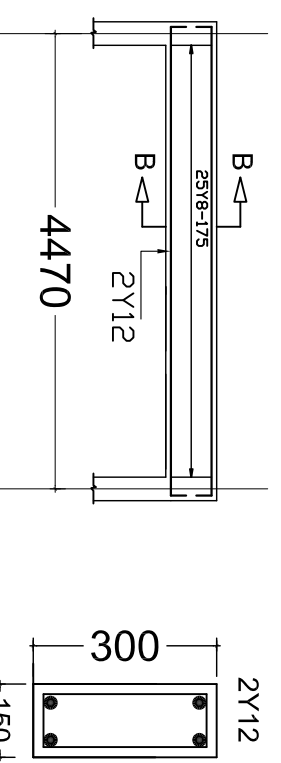
Designed by:	Eng. R.A.M
Drawn by:	ENG. A.NGATOMELA
Checked by:	Eng. R.A.M
Approved by:	
Date:	2018
Drawing No.	INC/STR.105
Scale:	
Sheet:	



LINTEL BEAMS LAYOUT AT LEVEL 2.5m



TYPICAL LINTEL BEAM 02  
SECTION 230x300mm FOR ALL  
EXTERNAL LINTEL BEAMS



TYPICAL LINTEL BEAM 03  
SECTION 150x300mm FOR  
ALL INTERNAL BEAMS

LINTEL BEAMS DETAILS

**NOTE:**

1. All dimensions are in mm unless otherwise specified
2. All discrepancies shall be referred to the structural engineer
3. Reinforced concrete shall be of grade 20 with  $f_{cu}=25N/mm^2$  at 28 days of age
4. Main reinforcements shall be high tensile steel with  $f_y = 460N/mm^2$
5. Nominal cover to the reinforcements:
  - a) Foundation 50mm
  - b) Column 25mm
  - c) Beam 25mm
  - d) Slab 25mm

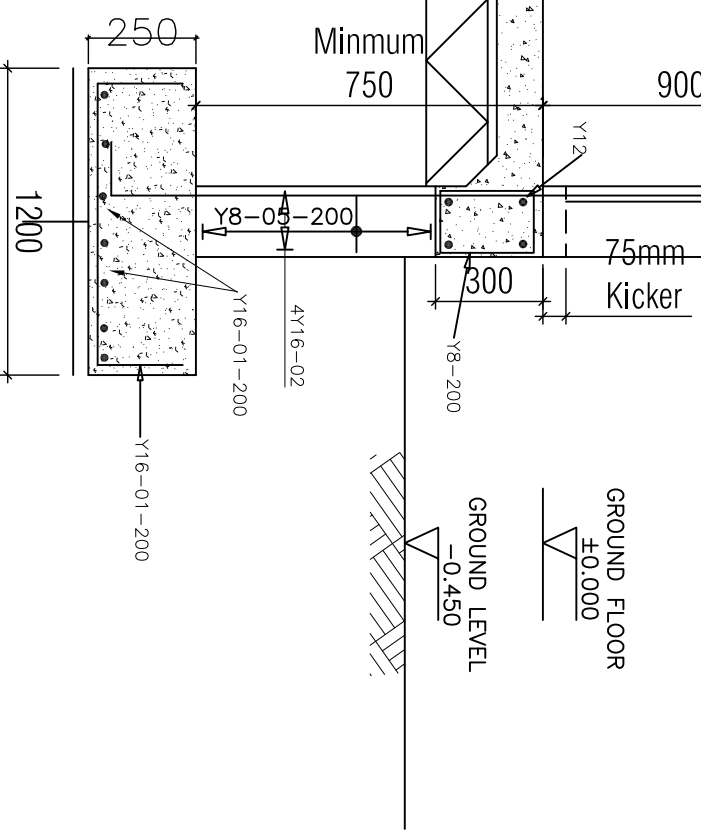
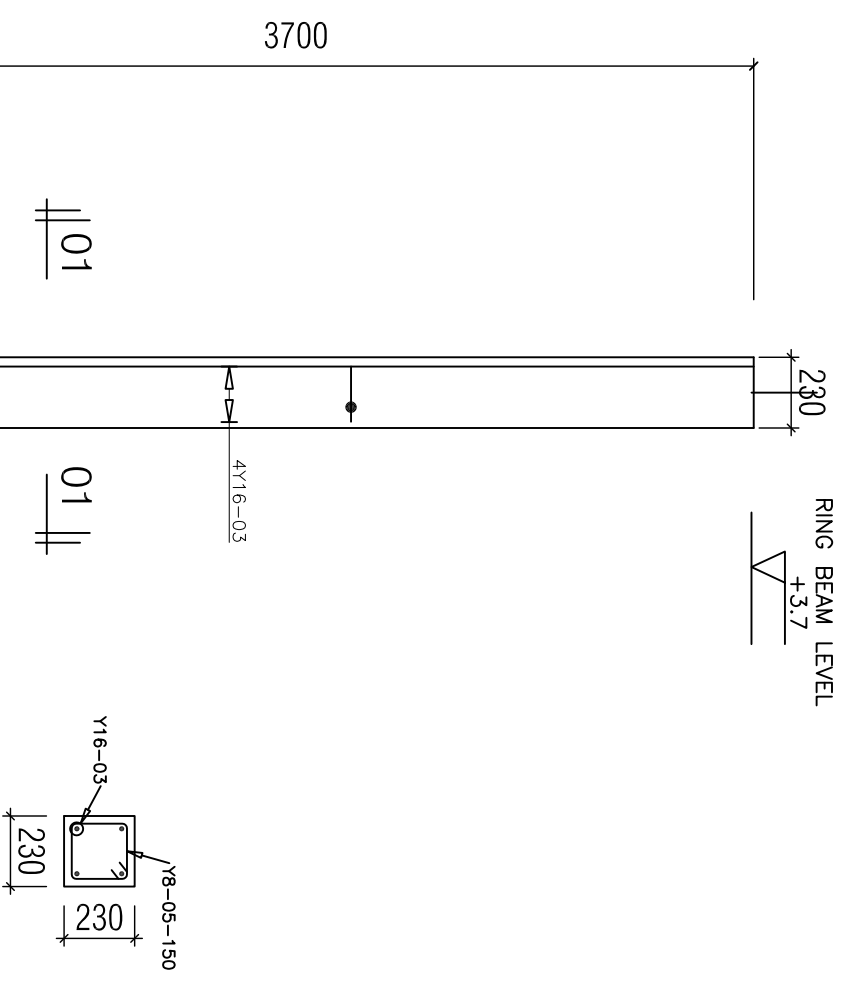
PROJECT:  
**PROPOSED STANDARD  
DRAWINGS FOR COUNCIL  
HOSPITALS IN TANZANIA**

CLIENT:  
**PRESIDENT'S OFFICE  
REGIONAL ADMINISTRATION  
LOCAL GOVERNMENT**

**MINISTRY OF HEALTH,  
COMMUNITY DEVELOPMENT,  
GENDER AND CHILDREN**

DRAWING TITLE:  
**INCINERATOR HOUSE  
LINTEL BEAMS LAYOUT &  
LINTEL BEAMS DETAILS**

Designed by:	Eng. R.A.M
Drawn by:	ENG. A.NGATOMELA
Checked by:	Eng. R.A.M
Approved by:	
Date:	2018
Drawing No.	INC/STR.106
Scale:	
Sheet:	



**COLUMN C1  
DETAIL 01  
(230x230mm)**  
SCALE 1:25

**SECTION 01-01**  
SCALE 1:25

**NOTE:**

1. All dimensions are in mm unless otherwise specified
2. All discrepancies shall be referred to the structural engineer
3. Reinforced concrete shall be of grade 20 with  $f_{cu}=25N/mm^2$  at 28 days of age
4. Main reinforcements shall be high tensile steel with  $f_y = 460N/mm^2$
5. Nominal cover to the reinforcements:
  - a) Foundation 50mm
  - b) Column 25mm
  - c) Beam 25mm
  - d) Slab 25mm

**PROJECT:**

**PROPOSED STANDARD  
DRAWINGS FOR COUNCIL  
HOSPITALS IN TANZANIA**

**CLIENT:**

**PRESIDENT'S OFFICE  
REGIONAL ADMINISTRATION  
LOCAL GOVERNMENT**

**MINISTRY OF HEALTH,  
COMMUNITY DEVELOPMENT,  
GENDER AND CHILDREN**

**DRAWING TITLE:  
INCINERATOR HOUSE  
COLUMN DETAILS**

Designed by: Eng. R.A.M

Drawn by: ENG. A.NGATOMELA

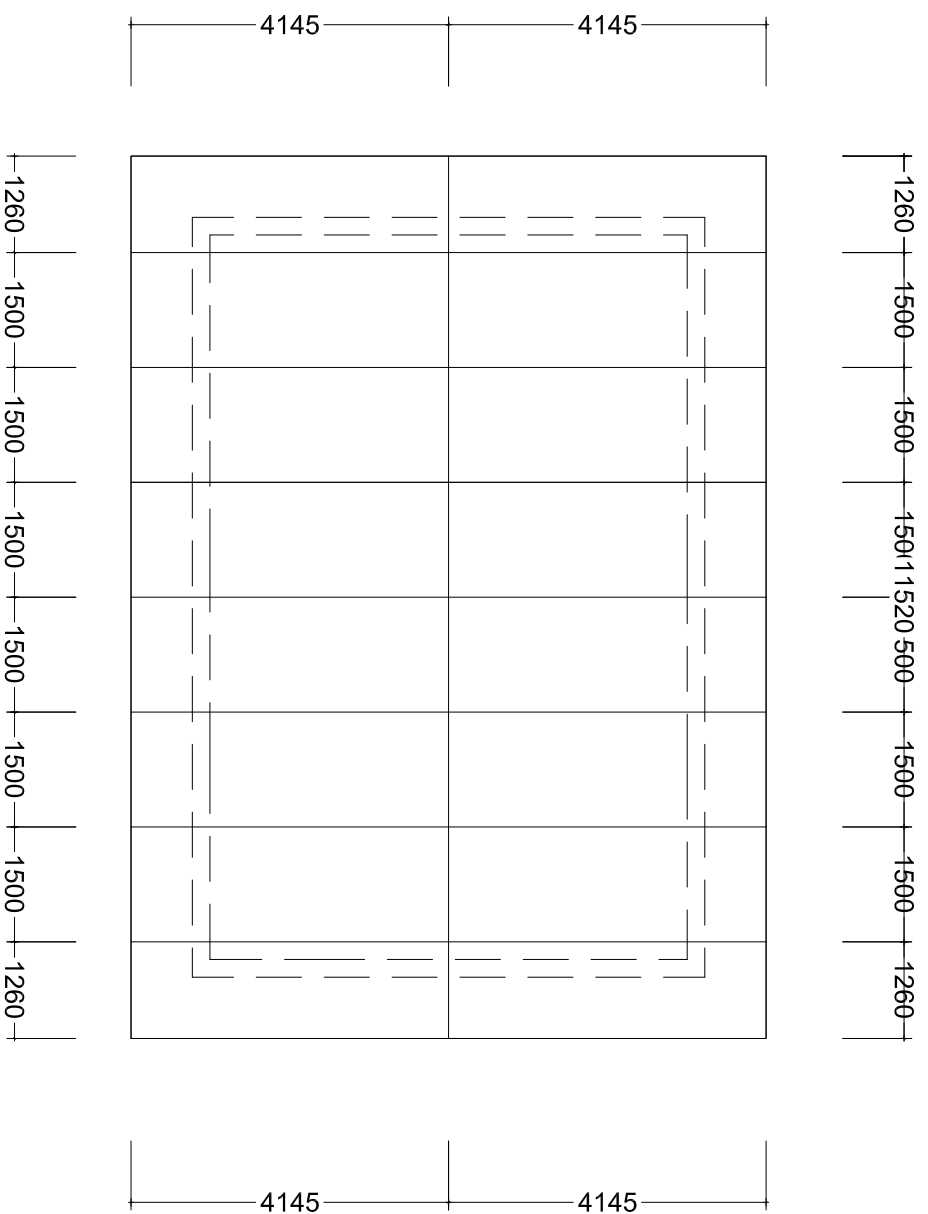
Checked by: Eng. R.A.M

Approved by:

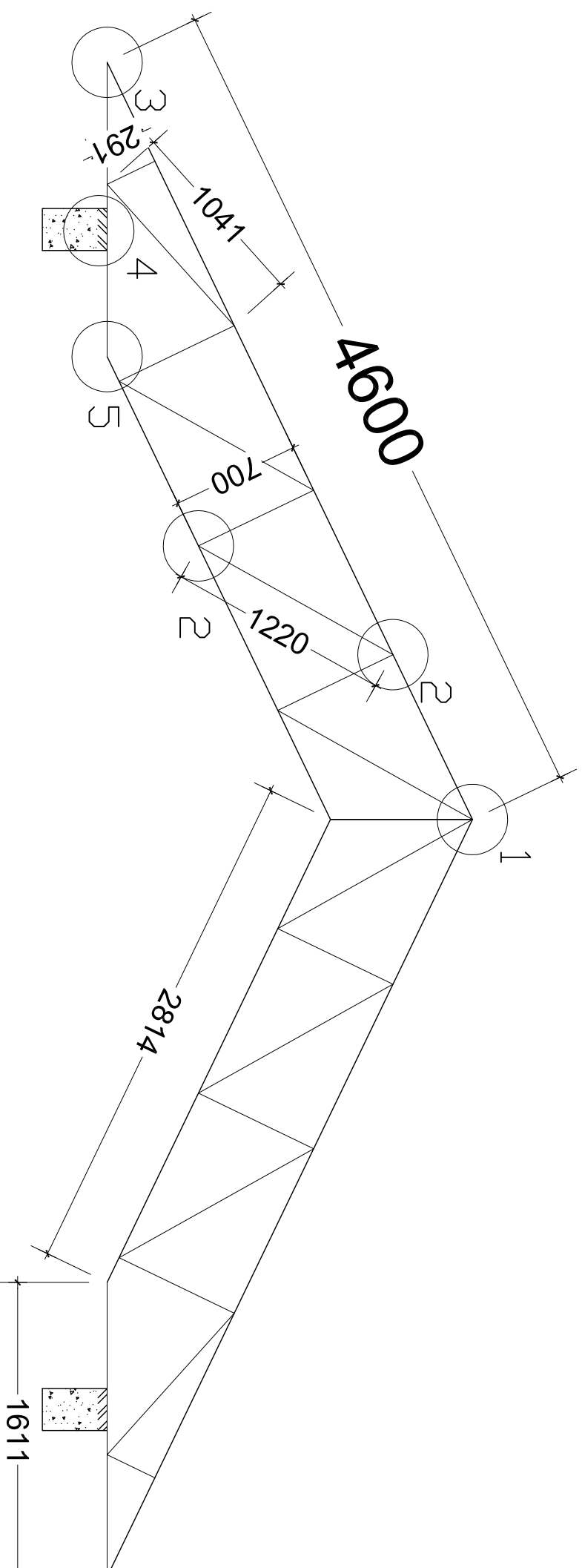
Date: **2018** Scale:

Drawing No. Sheet:

**INC/STR.107**



## TRUSS LAYOUT



## ROOF TRUSS T01

### **NOTE:**

1. All dimensions are in mm unless otherwise specified
2. All discrepancies shall be referred to the structural engineer
3. Reinforced concrete shall be of grade 20 with  $f_{cu}=25N/mm^2$  at 28 days of age
4. Main reinforcements shall be high tensile steel with  $f_y = 460N/mm^2$
5. Nominal cover to the reinforcements:
  - a) Foundation 50mm
  - b) Column 25mm
  - c) Beam 25mm
  - d) Slab 25mm

### PROJECT:

**PROPOSED STANDARD DRAWINGS FOR COUNCIL HOSPITALS IN TANZANIA**

### CLIENT:

**PRESIDENT'S OFFICE  
REGIONAL ADMINISTRATION  
LOCAL GOVERNMENT**

**MINISTRY OF HEALTH,  
COMMUNITY DEVELOPMENT,  
GENDER AND CHILDREN**

**DRAWING TITLE:  
INCINERATOR HOUSE  
TRUSS LAYOUT & ROOF TRUSS**

Designed by: Eng. R.A.M

Drawn by: ENG. A. NGATOMELA

Checked by: Eng. R.A.M

Approved by:

Date: 2018 Scale:

Drawing No. Sheet:

**INC/STR.108**



**NOTE:**

1. All dimensions are in mm unless otherwise specified
2. All discrepancies shall be referred to the structural engineer
3. Reinforced concrete shall be of grade 20 with  $f_{cu}=25N/mm^2$  at 28 days of age
4. Main reinforcements shall be high tensile steel with  $f_y = 460N/mm^2$
5. Nominal cover to the reinforcements:
  - a) Foundation 50mm
  - b) Column 25mm
  - c) Beam 25mm
  - d) Slab 25mm

**PROJECT:**

**PROPOSED STANDARD  
DRAWINGS FOR COUNCIL  
HOSPITALS IN TANZANIA**

**CLIENT:**

**PRESIDENT'S OFFICE  
REGIONAL ADMINISTRATION  
LOCAL GOVERNMENT**

**MINISTRY OF HEALTH,  
COMMUNITY DEVELOPMENT,  
GENDER AND CHILDREN**

**DRAWING TITLE:  
INCINERATOR HOUSE  
TRUSS DETAILS & CONNECTIONS**

**Designed by:** Eng. R.A.M

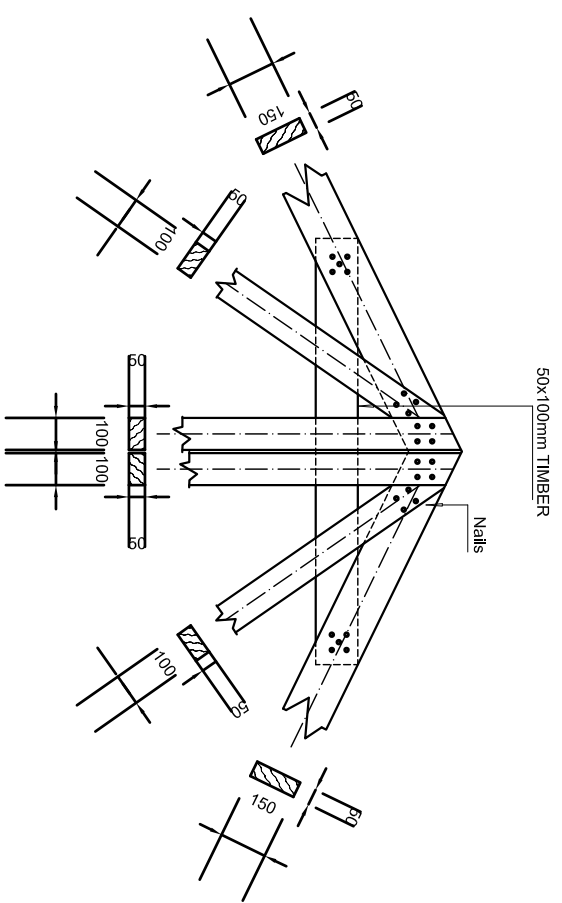
**Drawn by:** ENG. A.NGATOMELA

**Checked by:** Eng. R.A.M

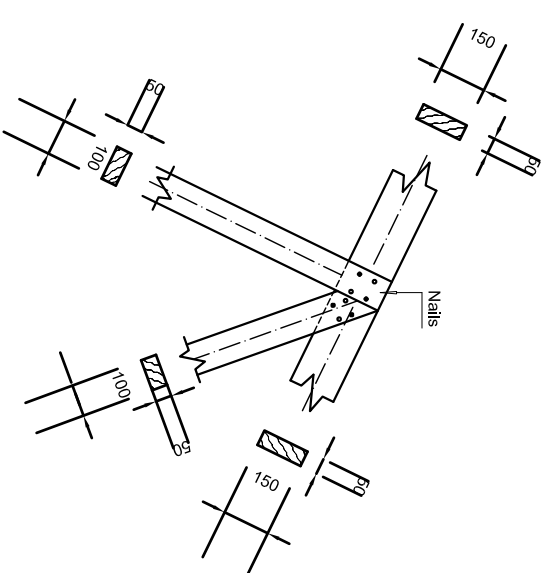
**Approved by:**

**Date:** 2018 **Scale:**

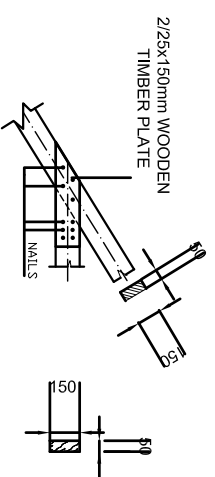
**Drawing No.** Sheet:  
**INC/STR.109**



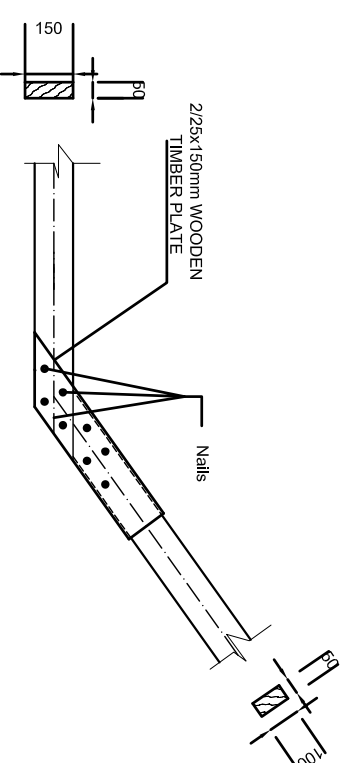
**ROOF TRUSS DETAIL "1"**



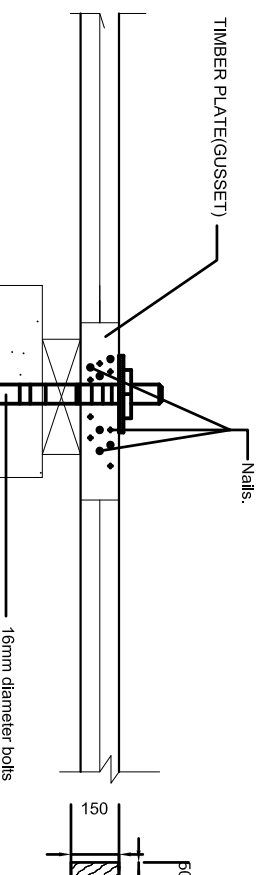
**ROOF TRUSS DETAIL "2"**



**ROOF TRUSS DETAIL "3"**



**ROOF TRUSS DETAIL "5"**



**ROOF TRUSS DETAIL "4"**