

FOUNDATION PLAN

NOTE:

1. All dimensions are in mm unless otherwise specified
2. All discrepancies shall be referred to the structural engineer
3. Reinforced concrete shall be of grade 20 with $f_{cu}=25N/mm^2$ at 28 days of age
4. Main reinforcements shall be high tensile steel with $f_y = 460N/mm^2$
5. Nominal cover to the reinforcements:
 - a) Foundation 50mm
 - b) Column 25mm
 - c) Beam 25mm
 - d) Slab 25mm

PROJECT:

PROPOSED STANDARD DRAWINGS FOR COUNCIL HOSPITALS IN TANZANIA

CLIENT:

**PRESIDENT'S OFFICE
REGIONAL ADMINISTRATION
LOCAL GOVERNMENT**

**MINISTRY OF HEALTH,
COMMUNITY DEVELOPMENT,
GENDER AND CHILDREN**

**DRAWING TITLE:
GRADE ONE WARD
FOUNDATION PLAN**

Designed by: Eng. R.A.M

Drawn by: ENG. A.NGATOMELA

Checked by: Eng. R.A.M

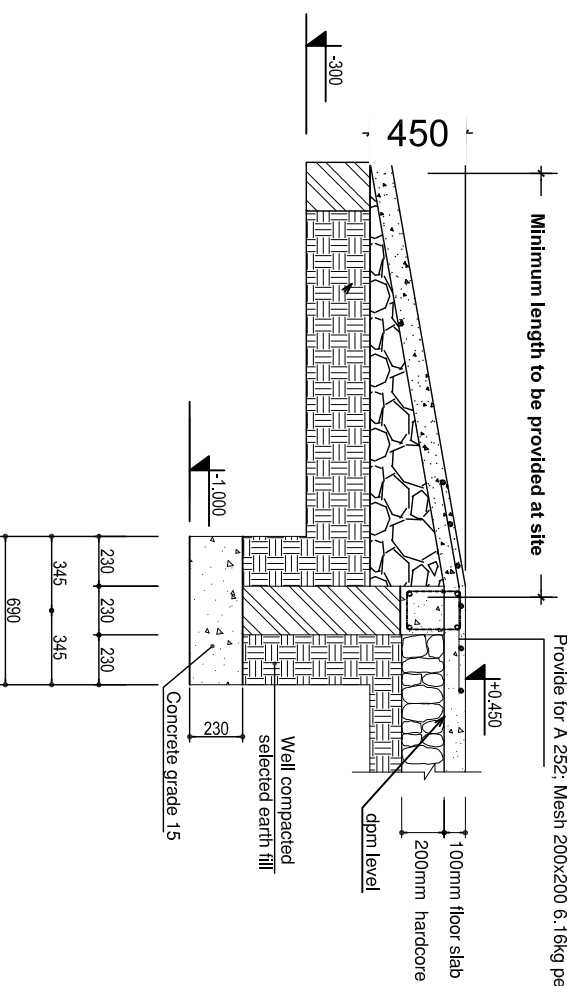
Approved by:

Date: **2018** Scale:

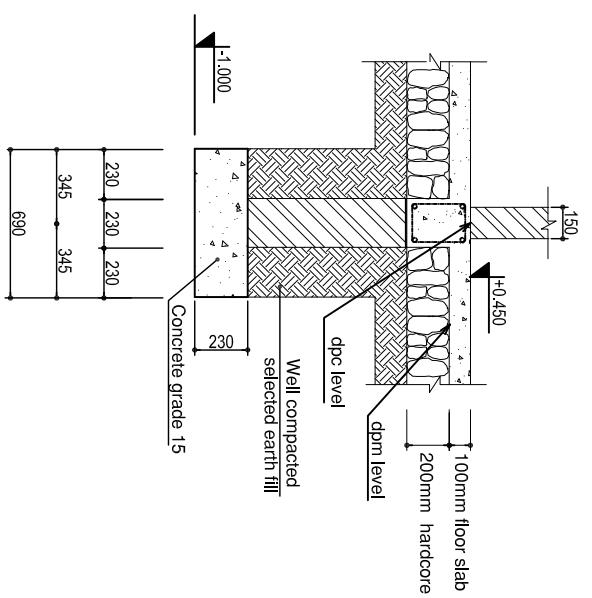
Drawing No. Sheet:

G1/STR.101

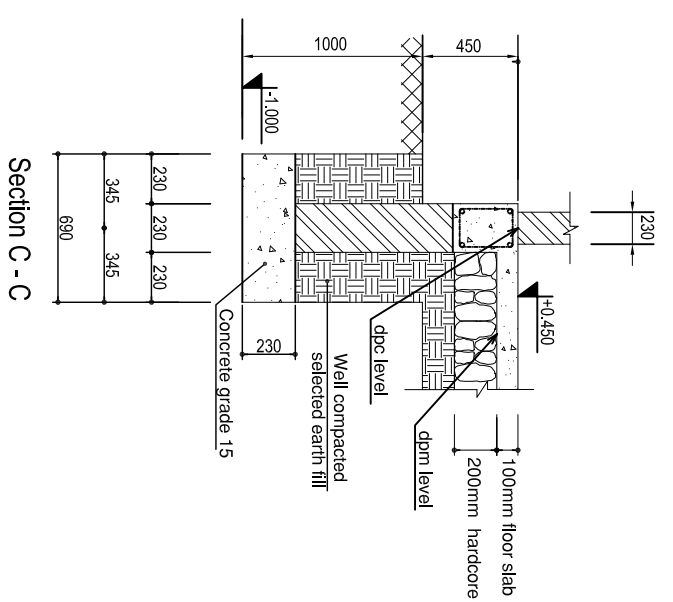
Provide for A 252: Mesh 200x200 6.16kg per square metre



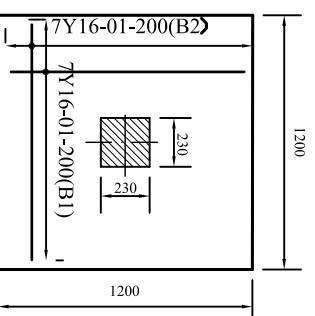
Section D - D: Ramp Details



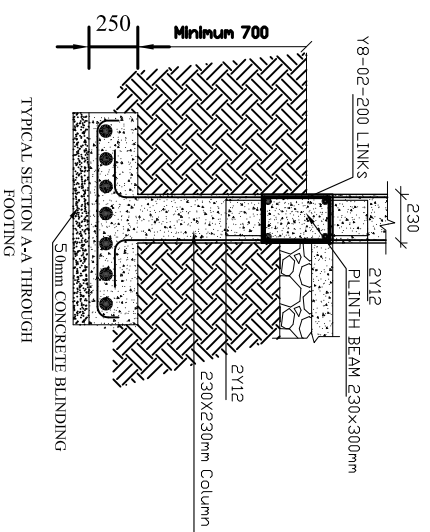
Section B - B



Section C - C



COLUMN FOOTING F1 -02Nos
1200x1200x250mm



FOUNDATION DETAILS

NOTE:

1. All dimensions are in mm unless otherwise specified
2. All discrepancies shall be referred to the structural engineer
3. Reinforced concrete shall be of grade 20 with $f_{cu}=25N/mm^2$ at 28 days of age
4. Main reinforcements shall be high tensile steel with $f_y = 460N/mm^2$
5. Nominal cover to the reinforcements:
 - a) Foundation 50mm
 - b) Column 25mm
 - c) Beam 25mm
 - d) Slab 25mm

PROJECT:

PROPOSED STANDARD DRAWINGS FOR COUNCIL HOSPITALS IN TANZANIA

CLIENT:

**PRESIDENT'S OFFICE
REGIONAL ADMINISTRATION
LOCAL GOVERNMENT**

**MINISTRY OF HEALTH,
COMMUNITY DEVELOPMENT,
GENDER AND CHILDREN**

DRAWING TITLE: GRADE ONE WARD FOUNDATION DETAILS

Designed by: Eng. R.A.M

Drawn by: ENG. A.NGATOMELA

Checked by: Eng. R.A.M

Approved by:

Date: **2018** Scale:

Drawing No. **G1/STR.102** Sheet:

- NOTE:**
1. All dimensions are in mm unless otherwise specified
 2. All discrepancies shall be referred to the structural engineer
 3. Reinforced concrete shall be of grade 20 with $f_{cu}=25N/mm^2$ at 28 days of age
 4. Main reinforcements shall be high tensile steel with $f_y = 460N/mm^2$
 5. Nominal cover to the reinforcements:
 - a) Foundation 50mm
 - b) Column 25mm
 - c) Beam 25mm
 - d) Slab 25mm

PROJECT:
PROPOSED STANDARD DRAWINGS FOR COUNCIL HOSPITALS IN TANZANIA

CLIENT:
**PRESIDENT'S OFFICE
 REGIONAL ADMINISTRATION
 LOCAL GOVERNMENT**

**MINISTRY OF HEALTH,
 COMMUNITY DEVELOPMENT,
 GENDER AND CHILDREN**

DRAWING TITLE:
**GRADE ONE WARD
 PLINTH BEAM LAYOUT**

Designed by: Eng. R.A.M

Drawn by: ENG. A.NGATOMELA

Checked by: Eng. R.A.M

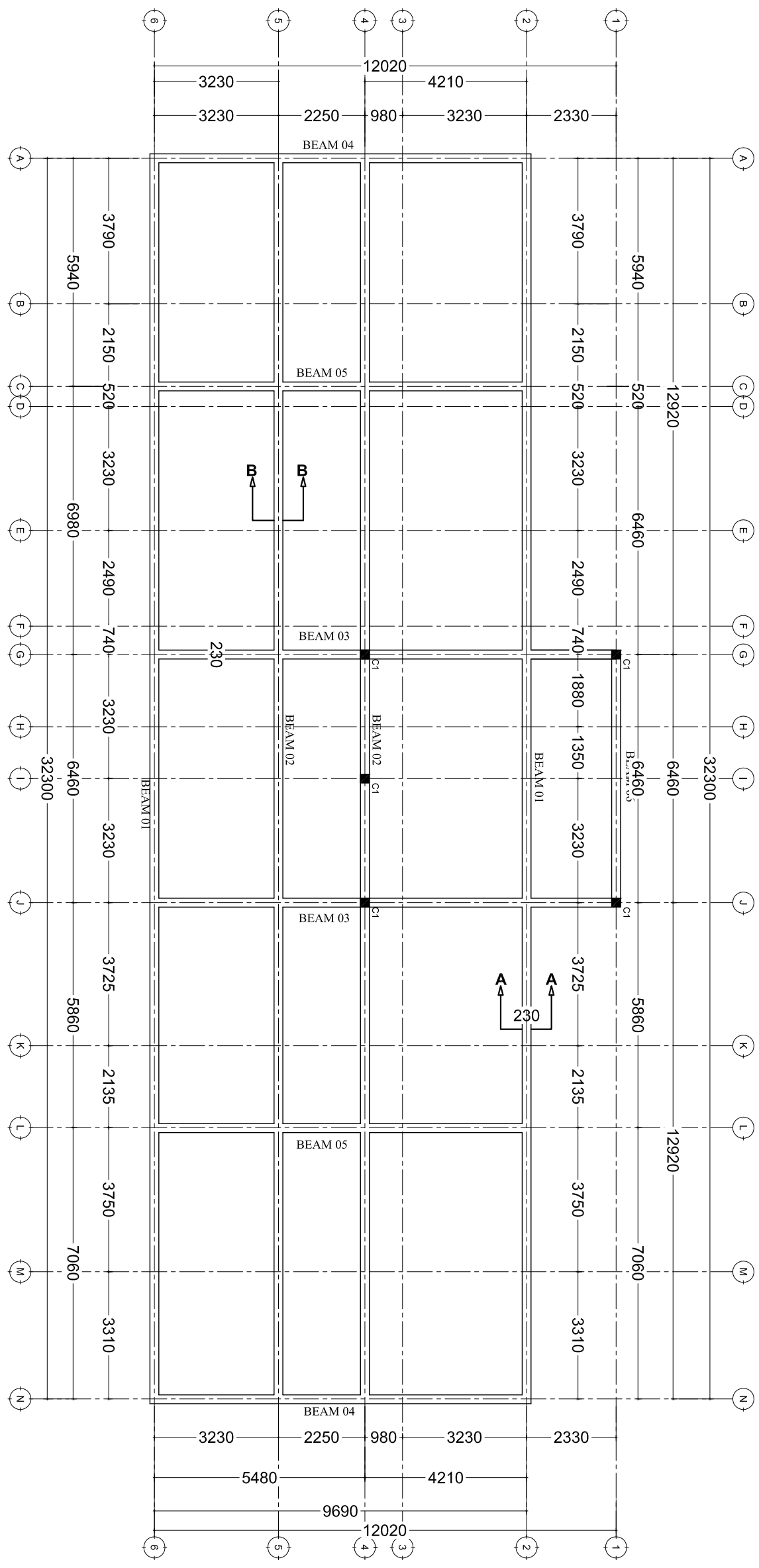
Approved by:

Date: 2018

Drawing No. G1/STR.103

Scale:

Sheet:



PLINTH BEAMS LAYOUT

NOTE:

1. All dimensions are in mm unless otherwise specified
2. All discrepancies shall be referred to the structural engineer
3. Reinforced concrete shall be of grade 20 with $f_{cu}=25N/mm^2$ at 28 days of age
4. Main reinforcements shall be high tensile steel with $f_y = 460N/mm^2$
5. Nominal cover to the reinforcements:
 - a) Foundation 50mm
 - b) Column 25mm
 - c) Beam 25mm
 - d) Slab 25mm

PROJECT:

**PROPOSED STANDARD
DRAWINGS FOR COUNCIL
HOSPITALS IN TANZANIA**

CLIENT:

**PRESIDENT'S OFFICE
REGIONAL ADMINISTRATION
LOCAL GOVERNMENT**

**MINISTRY OF HEALTH,
COMMUNITY DEVELOPMENT,
GENDER AND CHILDREN**

**DRAWING TITLE:
GRADE ONE WARD
PLINTH BEAM DETAILS**

Designed by: Eng. R.A.M

Drawn by: ENG. A.NGATOMELA

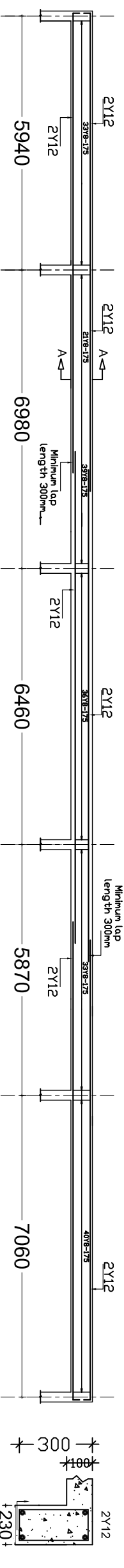
Checked by: Eng. R.A.M

Approved by:

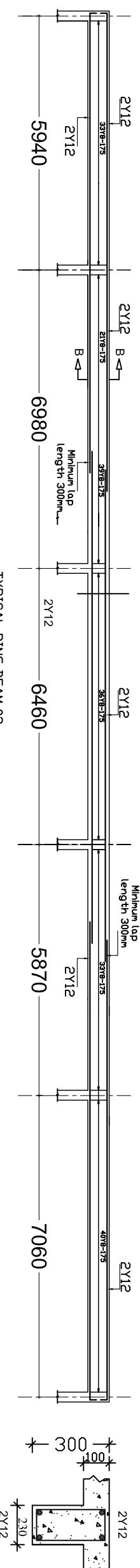
Date: **2018** Scale:

Drawing No. Sheet:

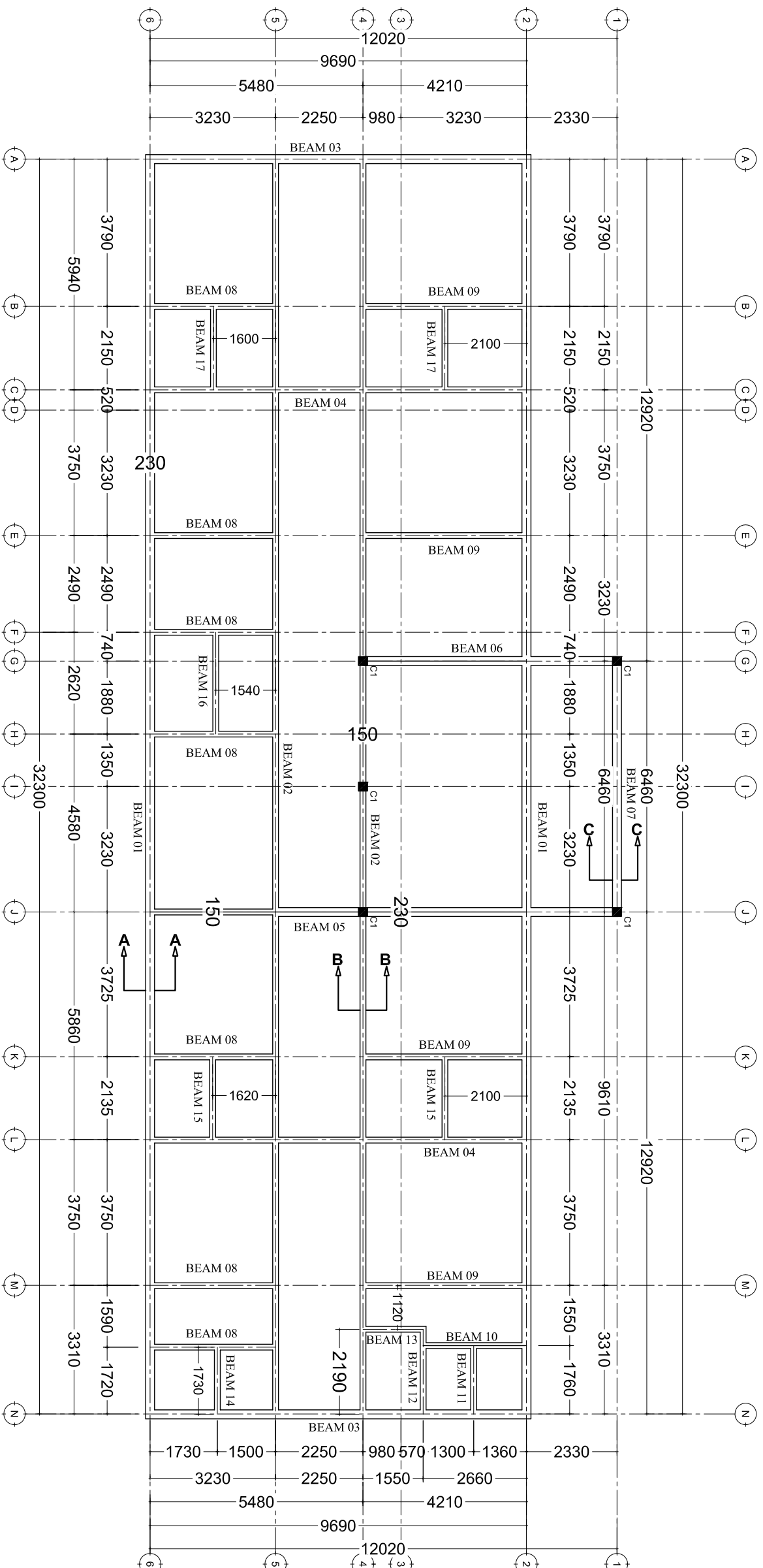
G1/STR.104



TYPICAL RING BEAM 01
SECTION 230X300mm FOR
ALL EXTERNAL BEAMS



TYPICAL RING BEAM 02
SECTION 230X300mm FOR
ALL INTERNAL BEAMS



RING BEAM LAYOUT

NOTE:

1. All dimensions are in mm unless otherwise specified
2. All discrepancies shall be referred to the structural engineer
3. Reinforced concrete shall be of grade 20 with $f_{cu}=25N/mm^2$ at 28 days of age
4. Main reinforcements shall be high tensile steel with $f_y = 460N/mm^2$
5. Nominal cover to the reinforcements:
 - a) Foundation 50mm
 - b) Column 25mm
 - c) Beam 25mm
 - d) Slab 25mm

PROJECT:

PROPOSED STANDARD DRAWINGS FOR COUNCIL HOSPITALS IN TANZANIA

CLIENT:

**PRESIDENT'S OFFICE
REGIONAL ADMINISTRATION
LOCAL GOVERNMENT**

**MINISTRY OF HEALTH,
COMMUNITY DEVELOPMENT,
GENDER AND CHILDREN**

**DRAWING TITLE:
GRADE ONE WARD
RING BEAM LAYOUT**

Designed by: Eng. R.A.M

Drawn by: ENG. A.NGATOMELA

Checked by: Eng. R.A.M

Approved by:

Date: **2018** Scale:

Drawing No. Sheet:

G1/STR.105

NOTE:

1. All dimensions are in mm unless otherwise specified
2. All discrepancies shall be referred to the structural engineer
3. Reinforced concrete shall be of grade 20 with $f_{cu}=25N/mm^2$ at 28 days of age
4. Main reinforcements shall be high tensile steel with $f_y = 460N/mm^2$
5. Nominal cover to the reinforcements:
 - a) Foundation 50mm
 - b) Column 25mm
 - c) Beam 25mm
 - d) Slab 25mm

PROJECT:

**PROPOSED STANDARD
DRAWINGS FOR COUNCIL
HOSPITALS IN TANZANIA**

CLIENT:

**PRESIDENT'S OFFICE
REGIONAL ADMINISTRATION
LOCAL GOVERNMENT**

**MINISTRY OF HEALTH,
COMMUNITY DEVELOPMENT,
GENDER AND CHILDREN**

DRAWING TITLE:

**GRADE ONE WARD
RING BEAM DETAILS**

Designed by: Eng. R.A.M

Drawn by: ENG. A.NGATOMELA

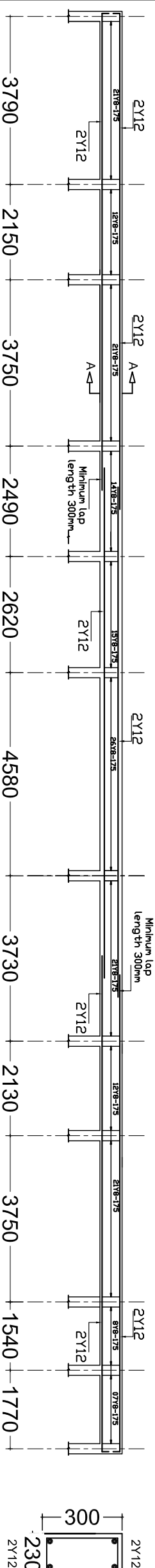
Checked by: Eng. R.A.M

Approved by:

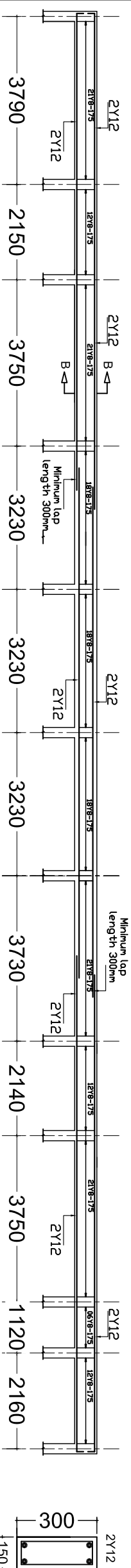
Date: **2018** Scale:

Drawing No. Sheet:

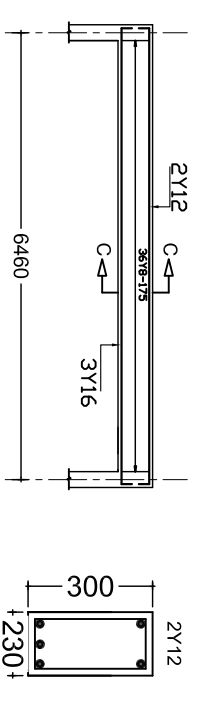
G1/STR.106



TYPICAL RING BEAM 01
SECTION 230x300mm FOR
ALL EXTERNAL BEAMS

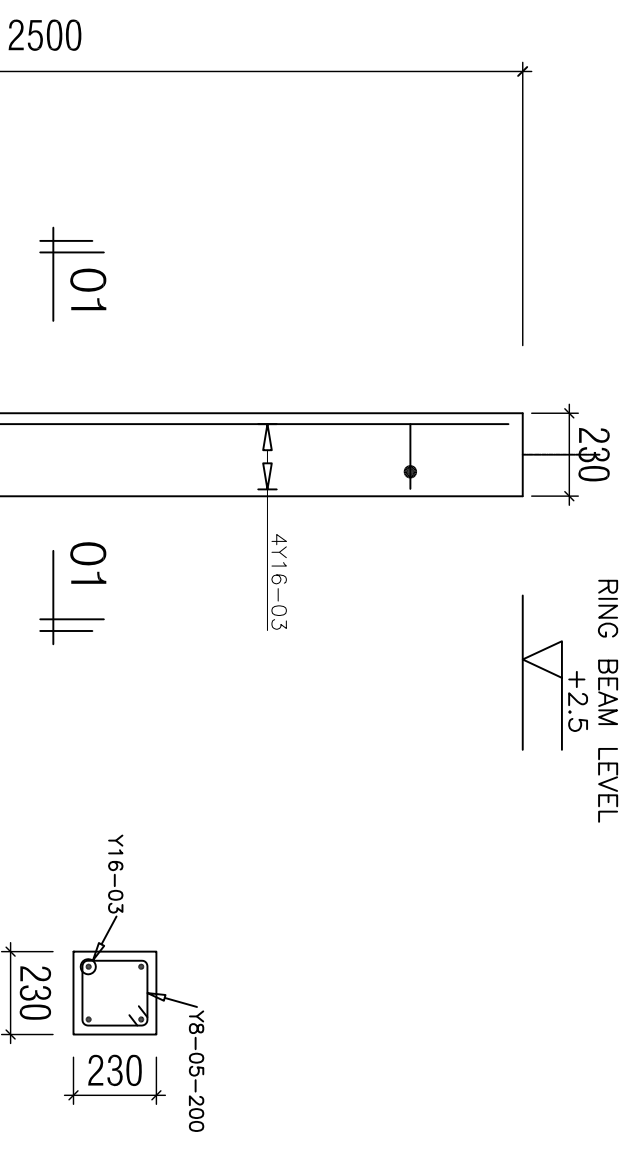


TYPICAL RING BEAM 02
SECTION 150x300mm FOR
ALL INTERNAL BEAMS

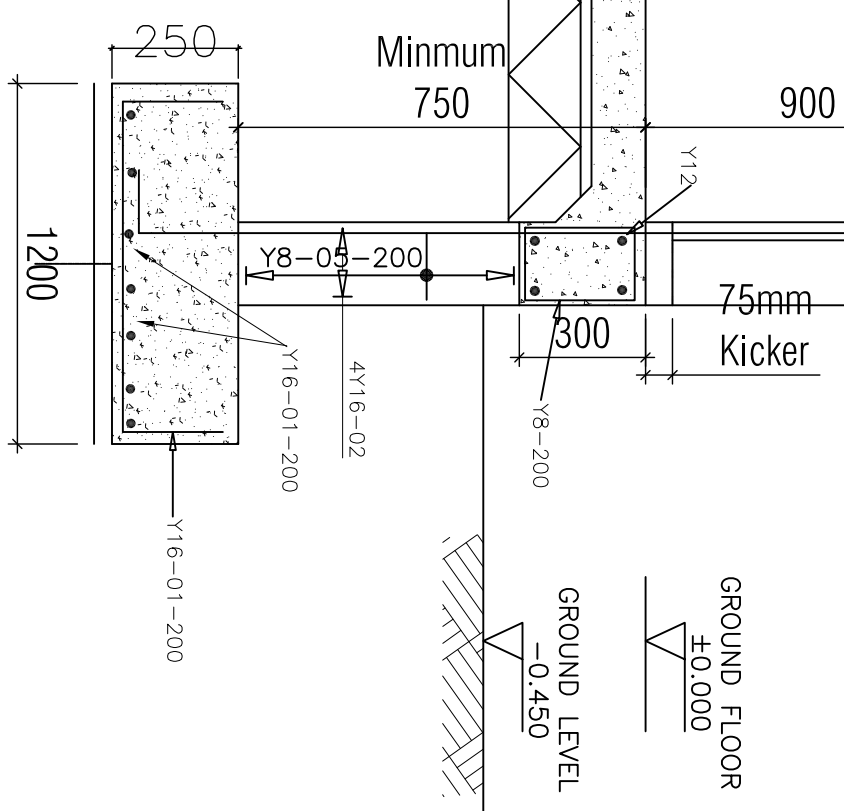


RING BEAM 07
SECTION 230x300mm

SECTION C-C



SECTION 01-01
SCALE 1:25



COLUMN C1
DETAIL 01
(230x230mm)
SCALE 1:25

NOTE:

1. All dimensions are in mm unless otherwise specified
2. All discrepancies shall be referred to the structural engineer
3. Reinforced concrete shall be of grade 20 with $f_{cu}=25N/mm^2$ at 28 days of age
4. Main reinforcements shall be high tensile steel with $f_y = 460N/mm^2$
5. Nominal cover to the reinforcements:
 - a) Foundation 50mm
 - b) Column 25mm
 - c) Beam 25mm
 - d) Slab 25mm

PROJECT:

**PROPOSED STANDARD
DRAWINGS FOR COUNCIL
HOSPITALS IN TANZANIA**

CLIENT:

**PRESIDENT'S OFFICE
REGIONAL ADMINISTRATION
LOCAL GOVERNMENT**

**MINISTRY OF HEALTH,
COMMUNITY DEVELOPMENT,
GENDER AND CHILDREN**

**DRAWING TITLE:
GRADE ONE WARD
COLUMN DETAILS**

Designed by: Eng. R.A.M

Drawn by: ENG. A.NGATOMELA

Checked by: Eng. R.A.M

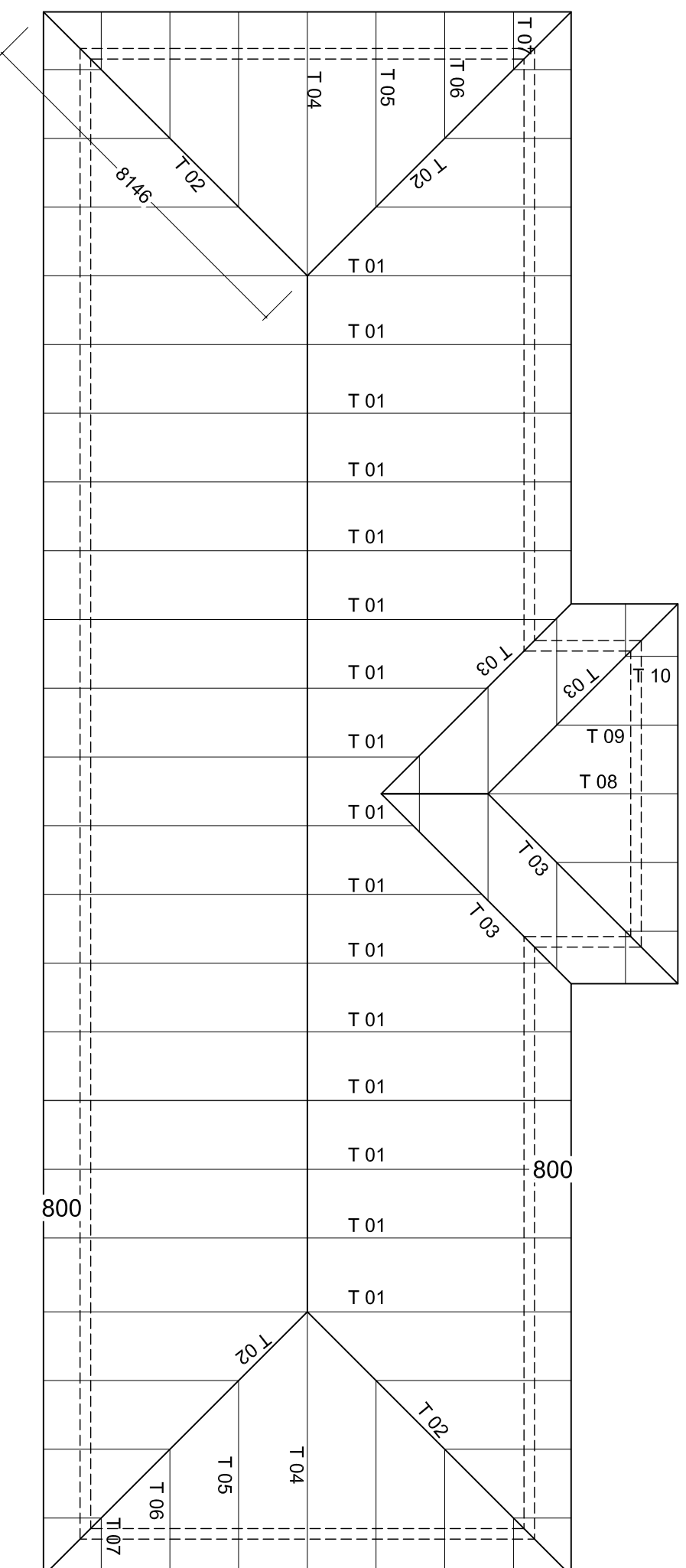
Approved by:

Date: **2018** Scale:

Drawing No. Sheet:

G1/STR.107

1260+1500+1600+1500+1500+1500+1260



1260 1500 1500 1500 1500 1500 1500 1260 1190 1140

1260 1500 1500 1500 1500 1500 1500 1260 1160 1170

NOTE:

- 1. All dimensions are in mm unless otherwise specified
- 2. All discrepancies shall be referred to the structural engineer
- 3. Reinforced concrete shall be of grade 20 with $f_{cu}=25N/mm^2$ at 28 days of age
- 4. Main reinforcements shall be high tensile steel with $f_y = 460N/mm^2$
- 5. Nominal cover to the reinforcements:
 - a) Foundation 50mm
 - b) Column 25mm
 - c) Beam 25mm
 - d) Slab 25mm

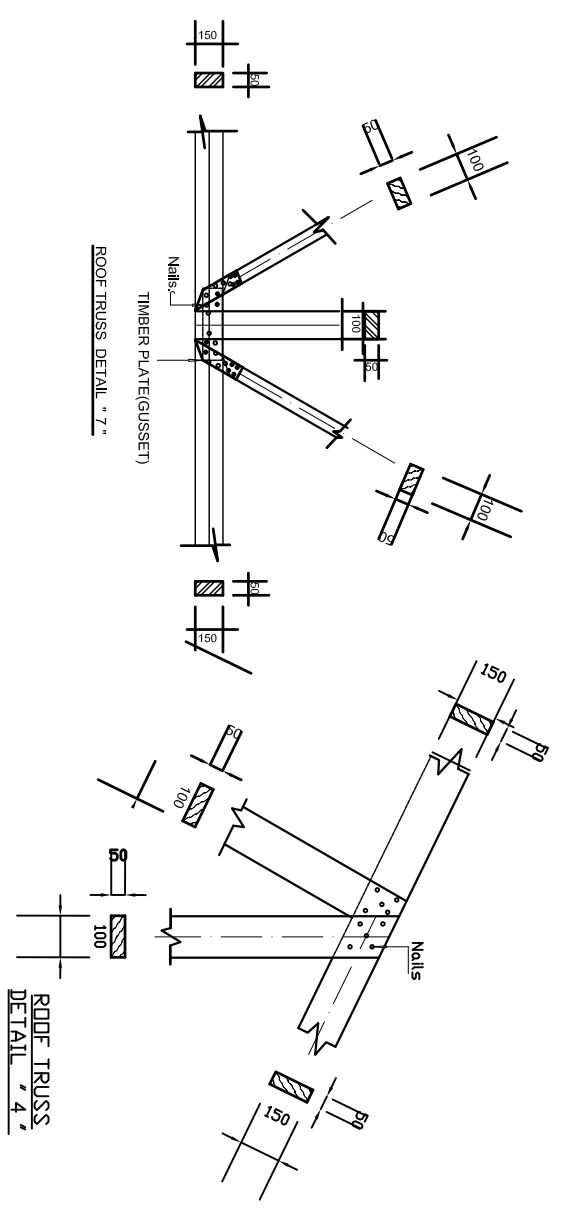
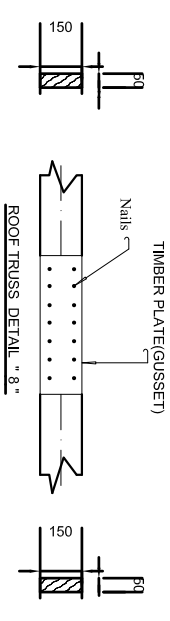
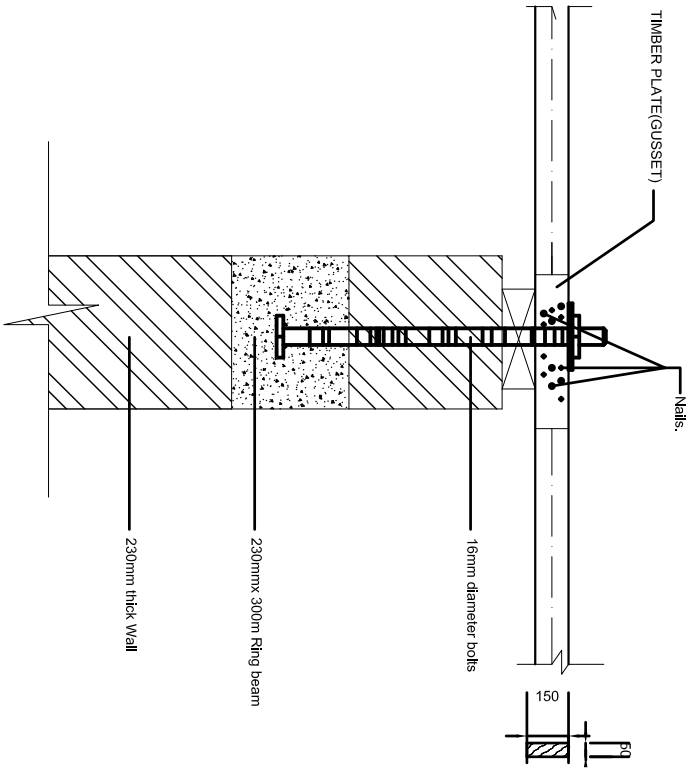
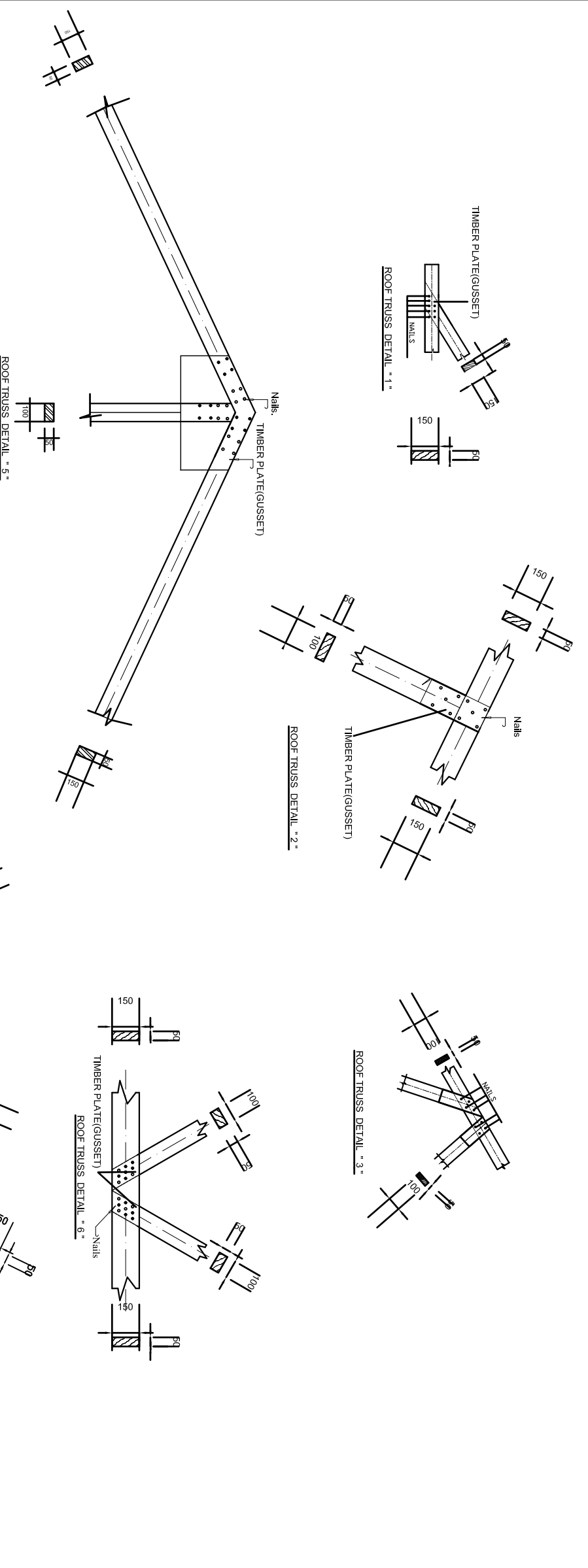
PROJECT:
PROPOSED STANDARD DRAWINGS FOR COUNCIL HOSPITALS IN TANZANIA

CLIENT:
PRESIDENT'S OFFICE
REGIONAL ADMINISTRATION
LOCAL GOVERNMENT

MINISTRY OF HEALTH,
COMMUNITY DEVELOPMENT,
GENDER AND CHILDREN

DRAWING TITLE: GRADE ONE WARD TRUSS LAYOUT	
Designed by:	Eng. R.A.M
Drawn by:	ENG. A.NGATOMELA
Checked by:	Eng. R.A.M
Approved by:	
Date:	Scale:
2018	
Drawing No.	Sheet:
G1/STR.108	

TRUSS LAYOUT



NOTE:

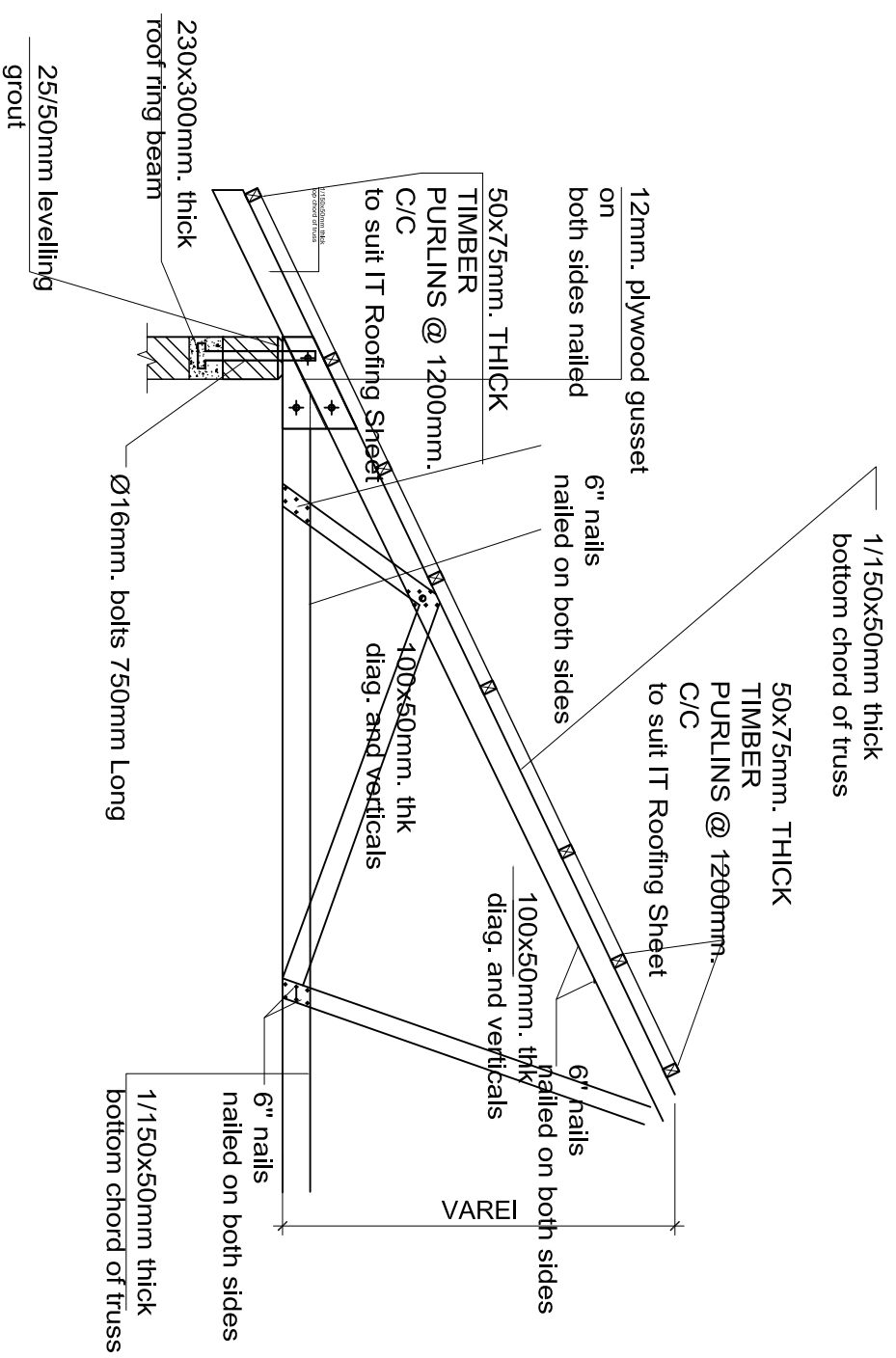
1. All dimensions are in mm unless otherwise specified
2. All discrepancies shall be referred to the structural engineer
3. Reinforced concrete shall be of grade 20 with $f_{cu}=25N/mm^2$ at 28 days of age
4. Main reinforcements shall be high tensile steel with $f_y = 460N/mm^2$
5. Nominal cover to the reinforcements:
 - a) Foundation 50mm
 - b) Column 25mm
 - c) Beam 25mm
 - d) Slab 25mm

PROJECT:
PROPOSED STANDARD DRAWINGS FOR COUNCIL HOSPITALS IN TANZANIA

CLIENT:
**PRESIDENT'S OFFICE
 REGIONAL ADMINISTRATION
 LOCAL GOVERNMENT
 MINISTRY OF HEALTH,
 COMMUNITY DEVELOPMENT,
 GENDER AND CHILDREN**

DRAWING TITLE:
**GRADE ONE WARD
 TRUSS DETAILS & CONNECTION 01**

Designed by:	Eng. R.A.M
Drawn by:	ENG. A.NGATOMELA
Checked by:	Eng. R.A.M
Approved by:	
Date:	2018
Drawing No.	G1/STR.110
Scale:	
Sheet:	



NOTE:

1. All dimensions are in mm unless otherwise specified
2. All discrepancies shall be referred to the structural engineer
3. Reinforced concrete shall be of grade 20 with $f_{cu}=25N/mm^2$ at 28 days of age
4. Main reinforcements shall be high tensile steel with $f_y = 460N/mm^2$
5. Nominal cover to the reinforcements:
 - a) Foundation 50mm
 - b) Column 25mm
 - c) Beam 25mm
 - d) Slab 25mm

PROJECT:

**PROPOSED STANDARD
DRAWINGS FOR COUNCIL
HOSPITALS IN TANZANIA**

CLIENT:

**PRESIDENT'S OFFICE
REGIONAL ADMINISTRATION
LOCAL GOVERNMENT**

**MINISTRY OF HEALTH,
COMMUNITY DEVELOPMENT,
GENDER AND CHILDREN**

DRAWING TITLE:

**GRADE ONE WARD
TRUSS DETAILS & CONNECTION 02**

Designed by: Eng. R.A.M

Drawn by: ENG. A.NGATOMELA

Checked by: Eng. R.A.M

Approved by:

Date: 2018

Scale:

Drawing No. G1/STR.111

Sheet:

