

## FOUNDATION PLAN

### NOTE:

1. All dimensions are in mm unless otherwise specified
2. All discrepancies shall be referred to the structural engineer
3. Reinforced concrete shall be of grade 20 with  $f_{cu}=25N/mm^2$  at 28 days of age
4. Main reinforcements shall be high tensile steel with  $f_y = 460N/mm^2$
5. Nominal cover to the reinforcements:
  - a) Foundation 50mm
  - b) Column 25mm
  - c) Beam 25mm
  - d) Slab 25mm

### PROJECT:

**PROPOSED STANDARD  
DRAWINGS FOR COUNCIL  
HOSPITALS IN TANZANIA**

### CLIENT:

**PRESIDENT'S OFFICE  
REGIONAL ADMINISTRATION  
LOCAL GOVERNMENT**

**MINISTRY OF HEALTH,  
COMMUNITY DEVELOPMENT,  
GENDER AND CHILDREN**

**DRAWING TITLE:  
MORTUARY BLOCK  
FOUNDATION PLAN**

Designed by: Eng. R.A.M

Drawn by: ENG. A. NGATOMELA

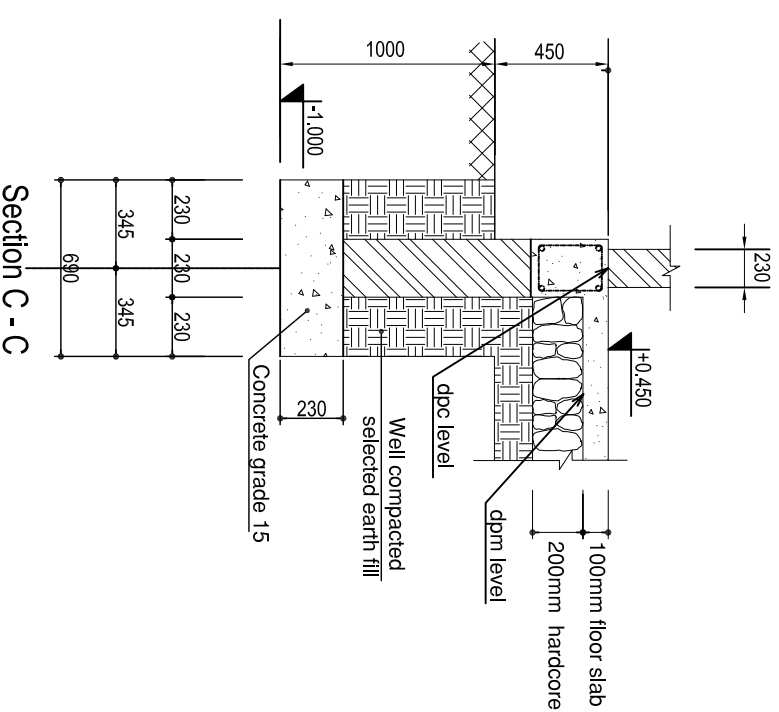
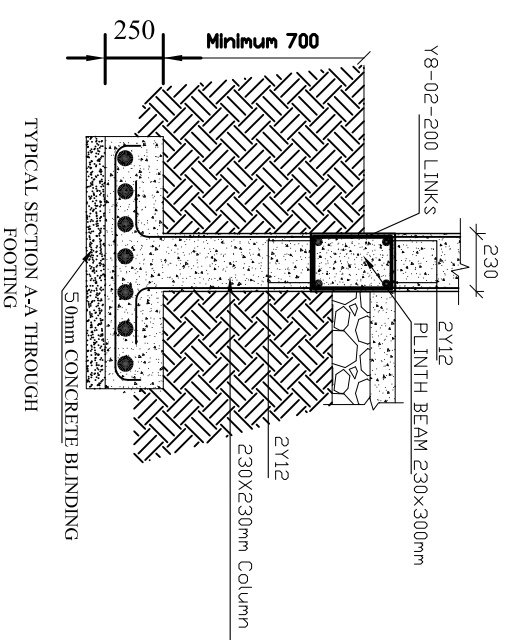
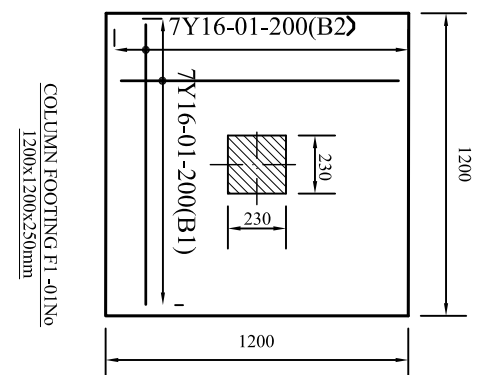
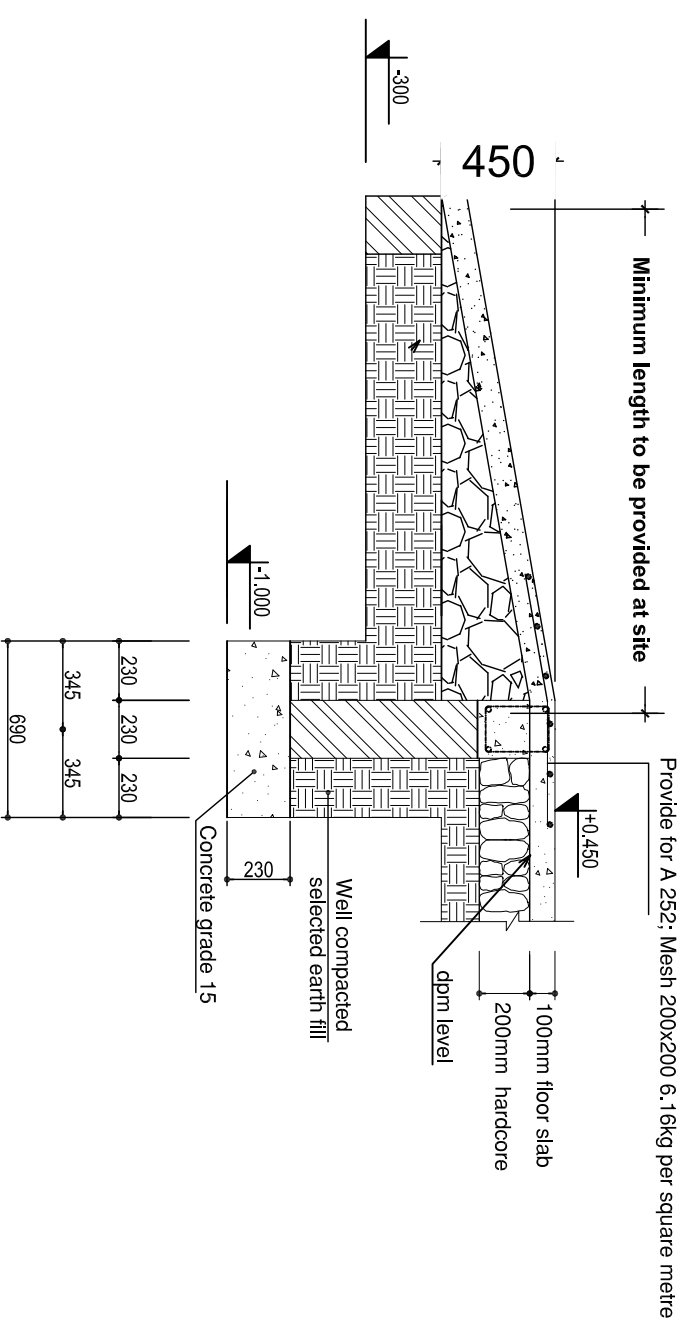
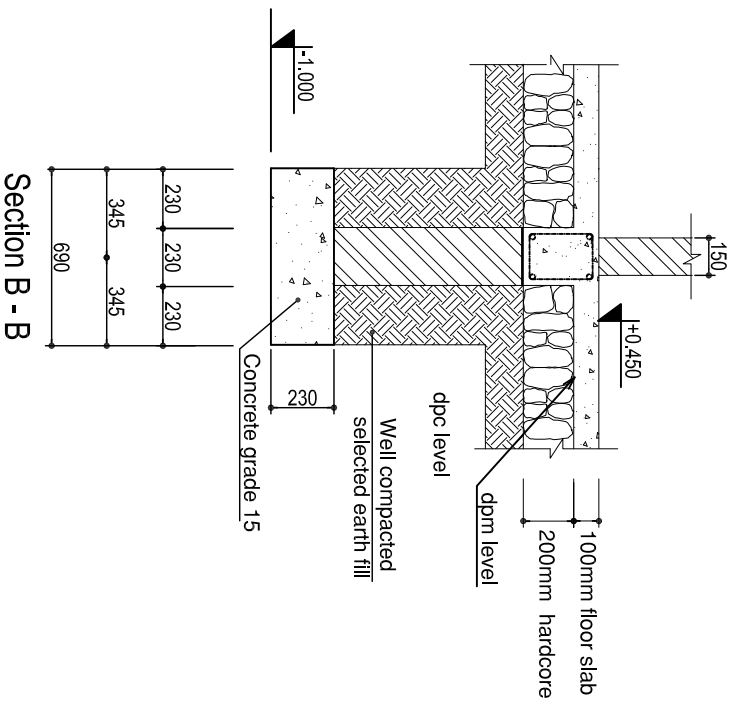
Checked by: Eng. R.A.M

Approved by:

Date: **2018** Scale:

Drawing No. Sheet:

**MOR/STR.101**



# FOUNDATION DETAILS

## NOTE:

- All dimensions are in mm unless otherwise specified
- All discrepancies shall be referred to the structural engineer
- Reinforced concrete shall be of grade 20 with  $f_{cu}=25N/mm^2$  at 28 days of age
- Main reinforcements shall be high tensile steel with  $f_y = 460N/mm^2$
- Nominal cover to the reinforcements:
  - Foundation 50mm
  - Column 25mm
  - Beam 25mm
  - Slab 25mm

## PROJECT:

**PROPOSED STANDARD DRAWINGS FOR COUNCIL HOSPITALS IN TANZANIA**

## CLIENT:

**PRESIDENT'S OFFICE  
REGIONAL ADMINISTRATION  
LOCAL GOVERNMENT**

**MINISTRY OF HEALTH,  
COMMUNITY DEVELOPMENT,  
GENDER AND CHILDREN**

## DRAWING TITLE: MORTUARY BLOCK FOUNDATION DETAILS

Designed by: Eng. R.A.M

Drawn by: ENG. A.NGATOMELA

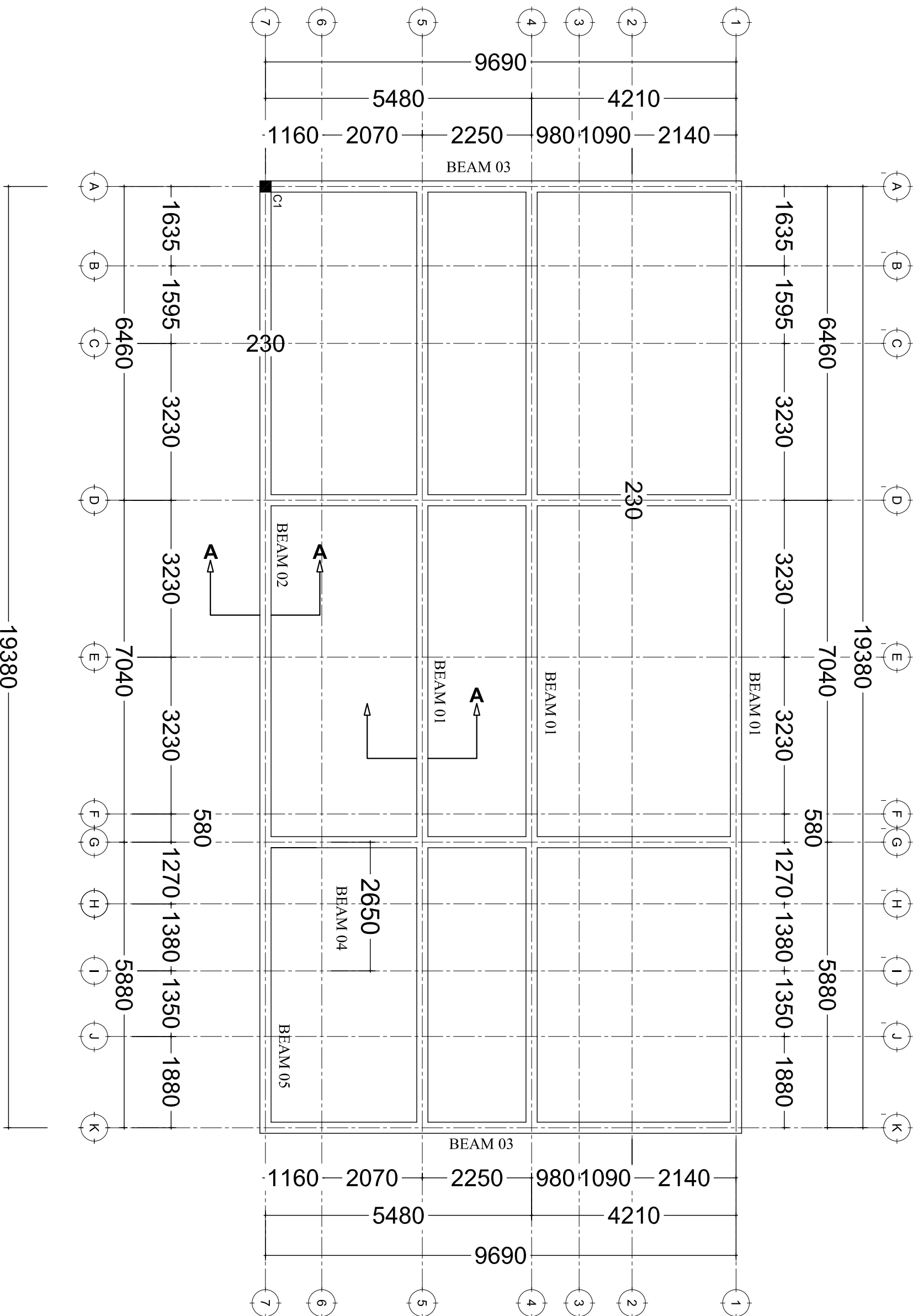
Checked by: Eng. R.A.M

Approved by:

Date: 2018 Scale:

Drawing No. Sheet:

**MOR/STR.102**



# PLINTH BEAMS LAYOUT

**NOTE:**

1. All dimensions are in mm unless otherwise specified
2. All discrepancies shall be referred to the structural engineer
3. Reinforced concrete shall be of grade 20 with  $f_{cu}=25N/mm^2$  at 28 days of age
4. Main reinforcements shall be high tensile steel with  $f_y = 460N/mm^2$
5. Nominal cover to the reinforcements:
  - a) Foundation 50mm
  - b) Column 25mm
  - c) Beam 25mm
  - d) Slab 25mm

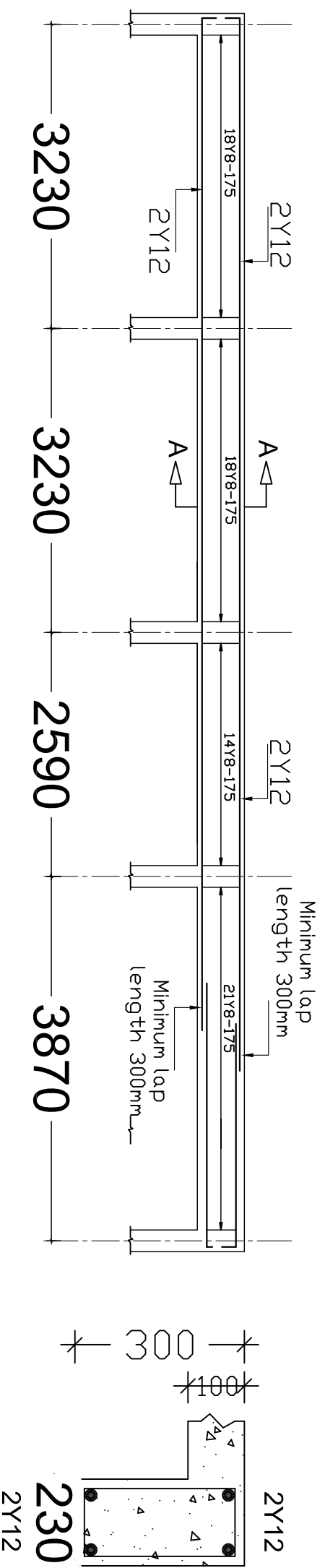
**PROJECT:**  
**PROPOSED STANDARD DRAWINGS FOR COUNCIL HOSPITALS IN TANZANIA**

**CLIENT:**  
 PRESIDENT'S OFFICE  
 REGIONAL ADMINISTRATION  
 LOCAL GOVERNMENT  
 MINISTRY OF HEALTH,  
 COMMUNITY DEVELOPMENT,  
 GENDER AND CHILDREN

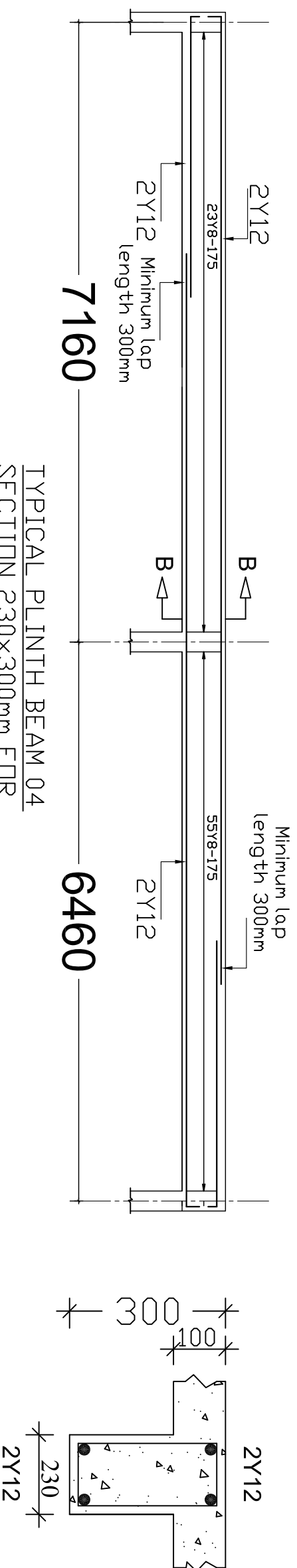
**DRAWING TITLE:**  
 MORTUARY BLOCK  
 PLINTH BEAM LAYOUT

Designed by: Eng. R.A.M  
 Drawn by: ENG. A. NGATOMELA  
 Checked by: Eng. R.A.M  
 Approved by:

Date: 2018 Scale:  
 Drawing No. MOR/STR.103 Sheet:



TYPICAL PLINTH BEAM 03  
SECTION 230x300mm FOR  
ALL EXTERNAL BEAMS



TYPICAL PLINTH BEAM 04  
SECTION 230x300mm FOR  
ALL INTERNAL BEAMS

**NOTE:**

1. All dimensions are in mm unless otherwise specified
2. All discrepancies shall be referred to the structural engineer
3. Reinforced concrete shall be of grade 20 with  $f_{cu}=25N/mm^2$  at 28 days of age
4. Main reinforcements shall be high tensile steel with  $f_y = 460N/mm^2$
5. Nominal cover to the reinforcements:
  - a) Foundation 50mm
  - b) Column 25mm
  - c) Beam 25mm
  - d) Slab 25mm

**PROJECT:**

**PROPOSED STANDARD  
DRAWINGS FOR COUNCIL  
HOSPITALS IN TANZANIA**

**CLIENT:**

**PRESIDENT'S OFFICE  
REGIONAL ADMINISTRATION  
LOCAL GOVERNMENT**

**MINISTRY OF HEALTH,  
COMMUNITY DEVELOPMENT,  
GENDER AND CHILDREN**

**DRAWING TITLE:  
MORTUARY BLOCK  
PLINTH BEAM DETAILS**

Designed by: Eng. R.A.M

Drawn by: ENG. A.NGATOMELA

Checked by: Eng. R.A.M

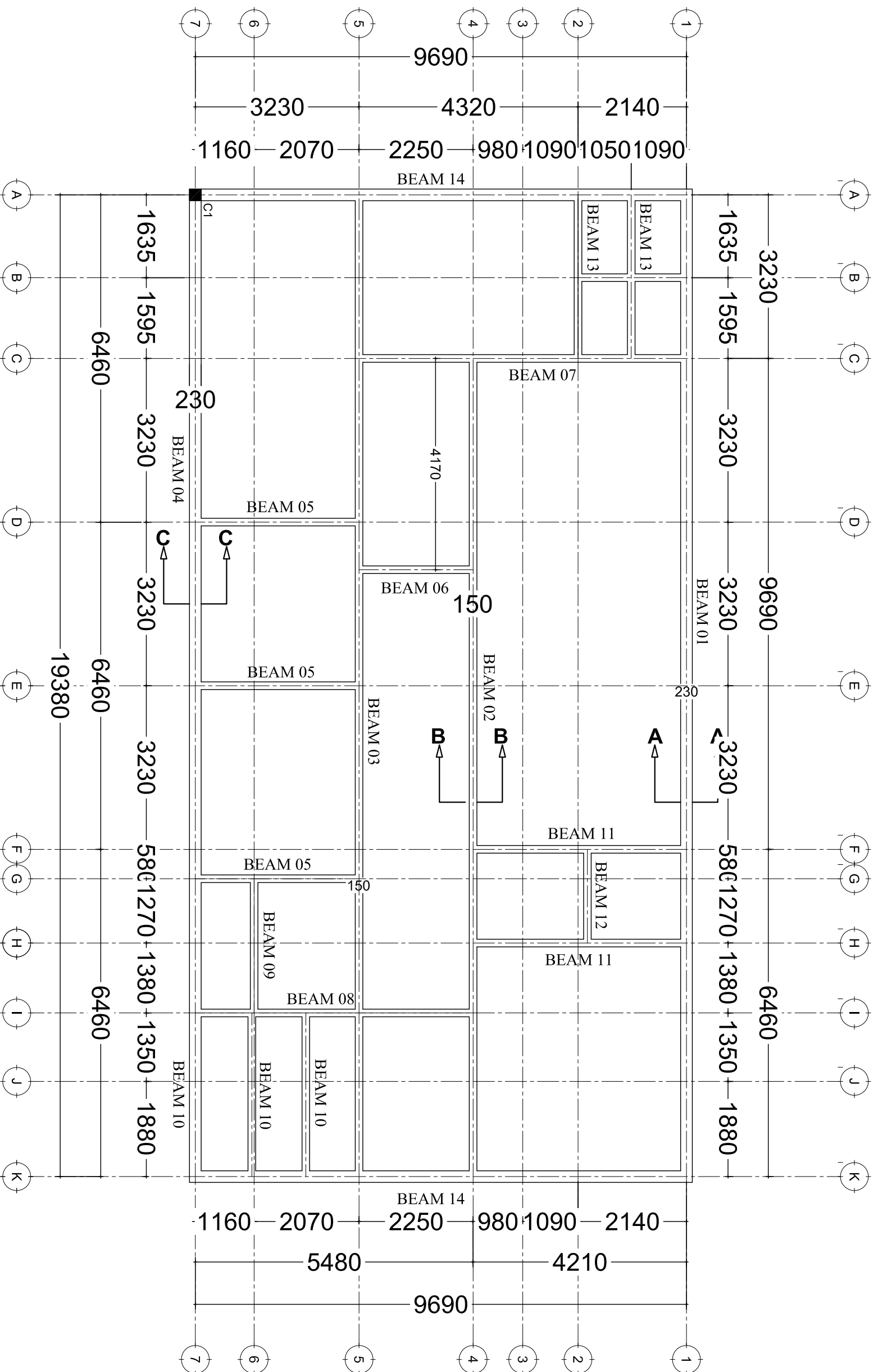
Approved by:

Date: 2018 Scale:

Drawing No. Sheet:

**MOR/STR.104**

# RING BEAM LAYOUT



**NOTE:**

1. All dimensions are in mm unless otherwise specified
2. All discrepancies shall be referred to the structural engineer
3. Reinforced concrete shall be of grade 20 with  $f_{cu}=25N/mm^2$  at 28 days of age
4. Main reinforcements shall be high tensile steel with  $f_y = 460N/mm^2$
5. Nominal cover to the reinforcements:
  - a) Foundation 50mm
  - b) Column 25mm
  - c) Beam 25mm
  - d) Slab 25mm

**PROJECT:**  
**PROPOSED STANDARD DRAWINGS FOR COUNCIL HOSPITALS IN TANZANIA**

**CLIENT:**  
**PRESIDENT'S OFFICE  
 REGIONAL ADMINISTRATION  
 LOCAL GOVERNMENT**

**MINISTRY OF HEALTH,  
 COMMUNITY DEVELOPMENT,  
 GENDER AND CHILDREN**

**DRAWING TITLE:**  
**MORTUARY BLOCK  
 RING BEAM LAYOUT**

Designed by: Eng. R.A.M

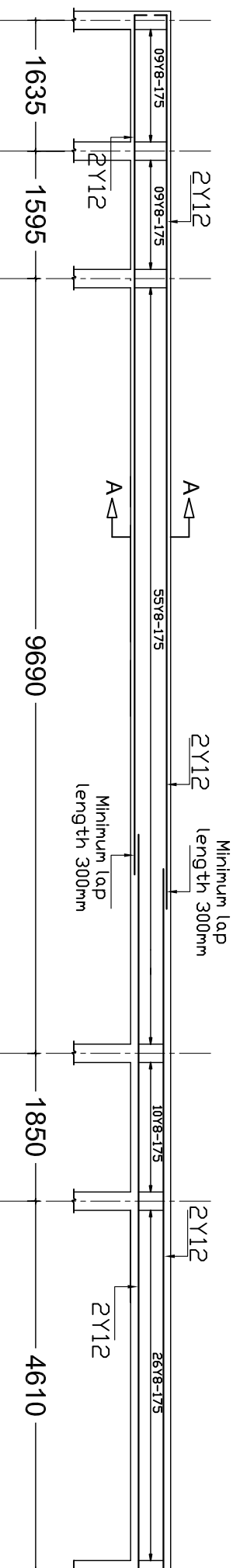
Drawn by: ENG. A.NGATOMELA

Checked by: Eng. R.A.M

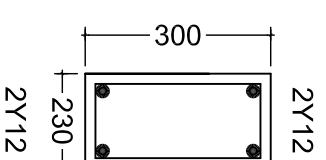
Approved by:

Date: **2018** Scale:

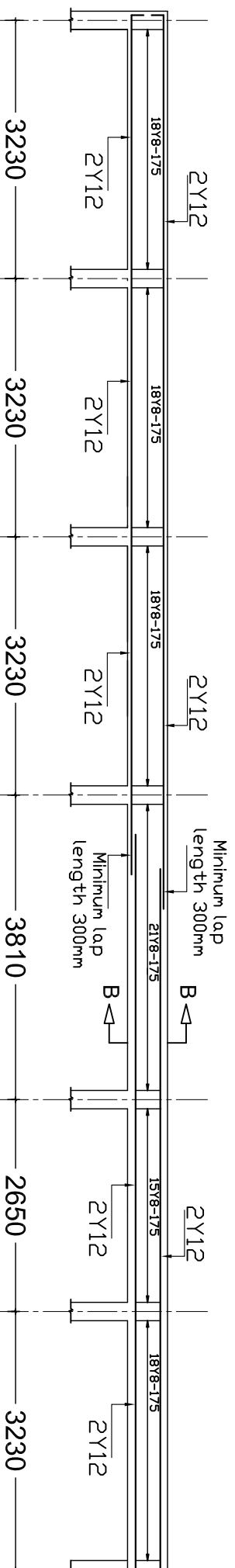
Drawing No. **MOR/STR.105** Sheet:



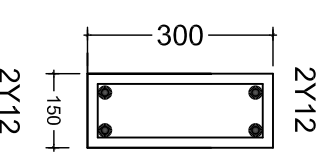
TYPICAL RING BEAM 01  
SECTION 230X300mm FOR  
ALL EXTERNAL BEAMS



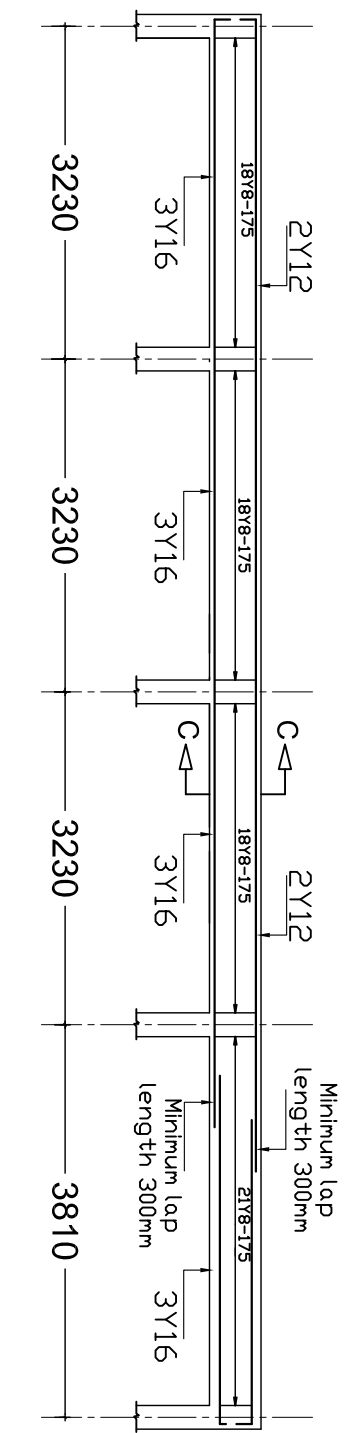
SECTION A-A



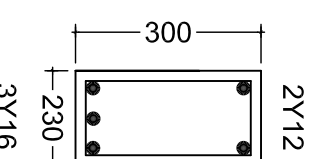
TYPICAL RING BEAM 02  
SECTION 150X300mm FOR  
ALL INTERNAL BEAMS



SECTION B-B



RING BEAM 04  
SECTION 230X300mm



SECTION C-C

- NOTE:**
- All dimensions are in mm unless otherwise specified
  - All discrepancies shall be referred to the structural engineer
  - Reinforced concrete shall be of grade 20 with  $f_{cu}=25N/mm^2$  at 28 days of age
  - Main reinforcements shall be high tensile steel with  $f_y = 460N/mm^2$
  - Nominal cover to the reinforcements:
    - Foundation 50mm
    - Column 25mm
    - Beam 25mm
    - Slab 25mm

PROJECT:  
**PROPOSED STANDARD DRAWINGS FOR COUNCIL HOSPITALS IN TANZANIA**

CLIENT: **PRESIDENT'S OFFICE REGIONAL ADMINISTRATION LOCAL GOVERNMENT**

**MINISTRY OF HEALTH, COMMUNITY DEVELOPMENT, GENDER AND CHILDREN**

DRAWING TITLE:  
**MORTUARY BLOCK RING BEAM DETAILS**

Designed by: Eng. R.A.M

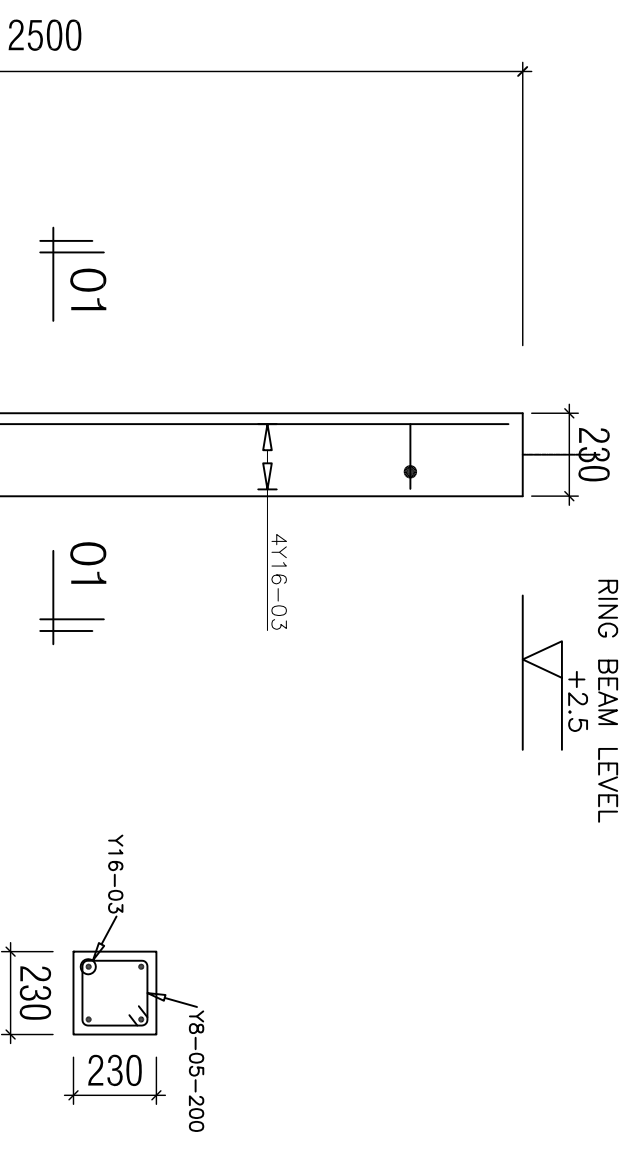
Drawn by: ENG. A. NGATOMELA

Checked by: Eng. R.A.M

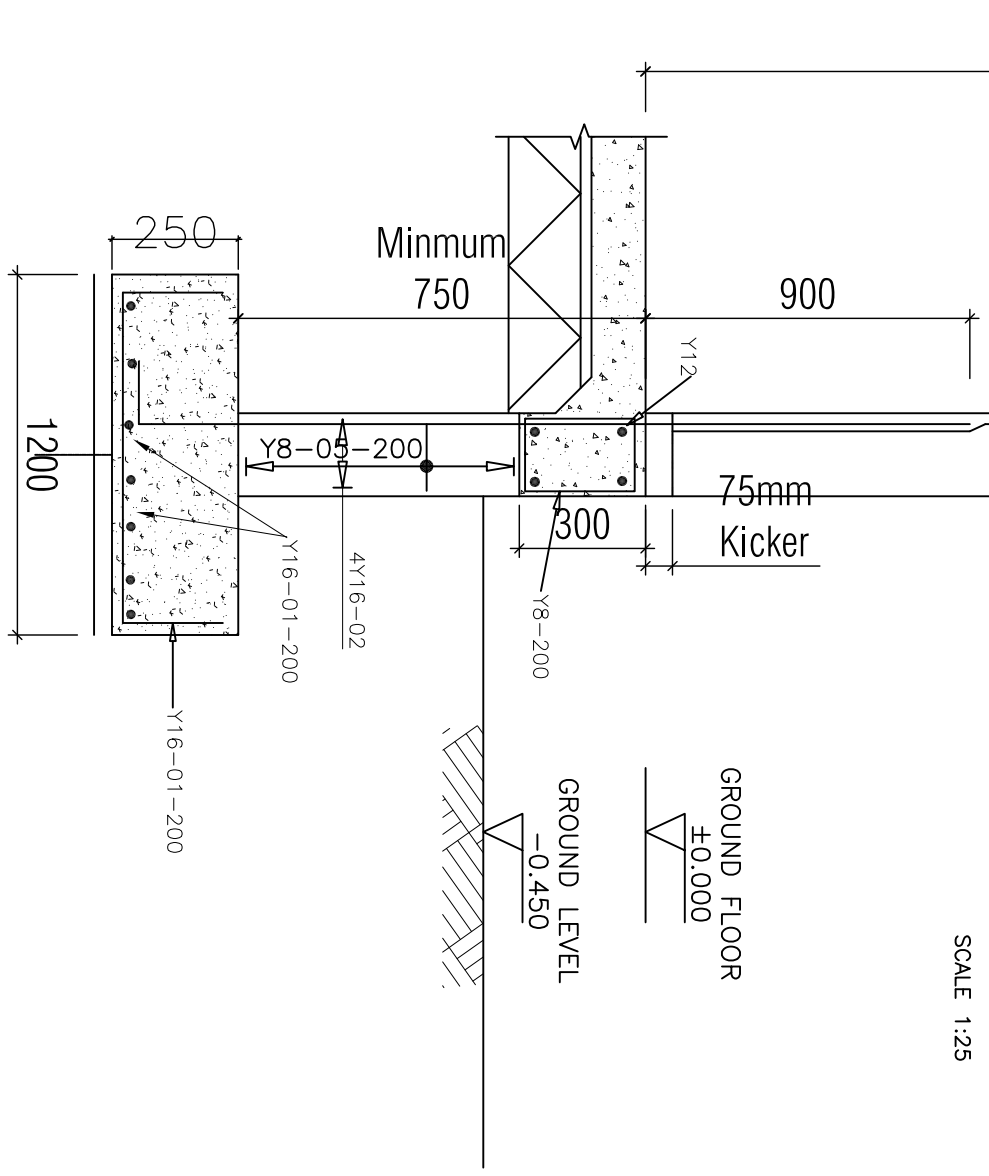
Approved by:

Date: **2018** Scale:

Drawing No. **RAD/STR.106** Sheet:



SECTION 01-01  
SCALE 1:25



COLUMN C1  
DETAIL 01  
(230x230mm)  
SCALE 1:25

**NOTE:**

1. All dimensions are in mm unless otherwise specified
2. All discrepancies shall be referred to the structural engineer
3. Reinforced concrete shall be of grade 20 with  $f_{cu}=25N/mm^2$  at 28 days of age
4. Main reinforcements shall be high tensile steel with  $f_y = 460N/mm^2$
5. Nominal cover to the reinforcements:
  - a) Foundation 50mm
  - b) Column 25mm
  - c) Beam 25mm
  - d) Slab 25mm

**PROJECT:**

**PROPOSED STANDARD  
DRAWINGS FOR COUNCIL  
HOSPITALS IN TANZANIA**

**CLIENT:**

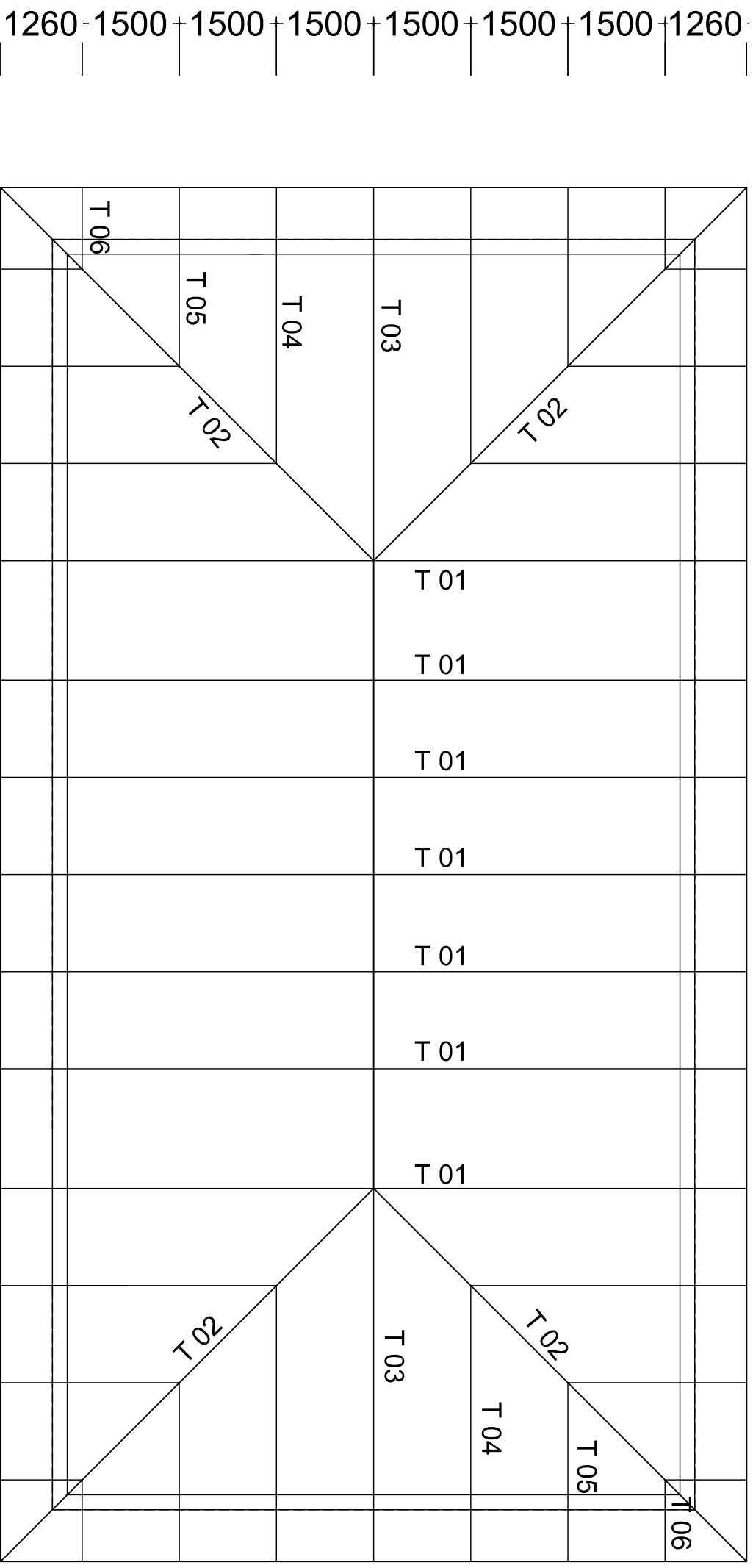
**PRESIDENT'S OFFICE  
REGIONAL ADMINISTRATION  
LOCAL GOVERNMENT**

**MINISTRY OF HEALTH,  
COMMUNITY DEVELOPMENT,  
GENDER AND CHILDREN**

**DRAWING TITLE:  
MORTUARY BLOCK  
COLUMN DETAILS**

Designed by:	Eng. R.A.M
Drawn by:	ENG. A.NGATOMELA
Checked by:	Eng. R.A.M
Approved by:	
Date:	2018
Drawing No.	MOR/STR.107
Sheet:	

1260 + 1500 + 1500 + 1500 + 1845 + 1500 + 1500 + 1500 + 1500 + 1845 + 1500 + 1500 + 1260



1260 + 1500 + 1500 + 1500 + 1845 + 1500 + 1500 + 1500 + 1500 + 1845 + 1500 + 1500 + 1260

## TRUSS LAYOUT

### NOTE:

1. All dimensions are in mm unless otherwise specified
2. All discrepancies shall be referred to the structural engineer
3. Reinforced concrete shall be of grade 20 with  $f_{cu}=25N/mm^2$  at 28 days of age
4. Main reinforcements shall be high tensile steel with  $f_y = 460N/mm^2$
5. Nominal cover to the reinforcements:
  - a) Foundation 50mm
  - b) Column 25mm
  - c) Beam 25mm
  - d) Slab 25mm

### PROJECT:

**PROPOSED STANDARD  
DRAWINGS FOR COUNCIL  
HOSPITALS IN TANZANIA**

### CLIENT:

**PRESIDENT'S OFFICE  
REGIONAL ADMINISTRATION  
LOCAL GOVERNMENT**

**MINISTRY OF HEALTH,  
COMMUNITY DEVELOPMENT,  
GENDER AND CHILDREN**

### DRAWING TITLE: MORTUARY BLOCK TRUSS LAYOUT

Designed by: Eng. R.A.M

Drawn by: ENG. A.NGATOMELA

Checked by: Eng. R.A.M

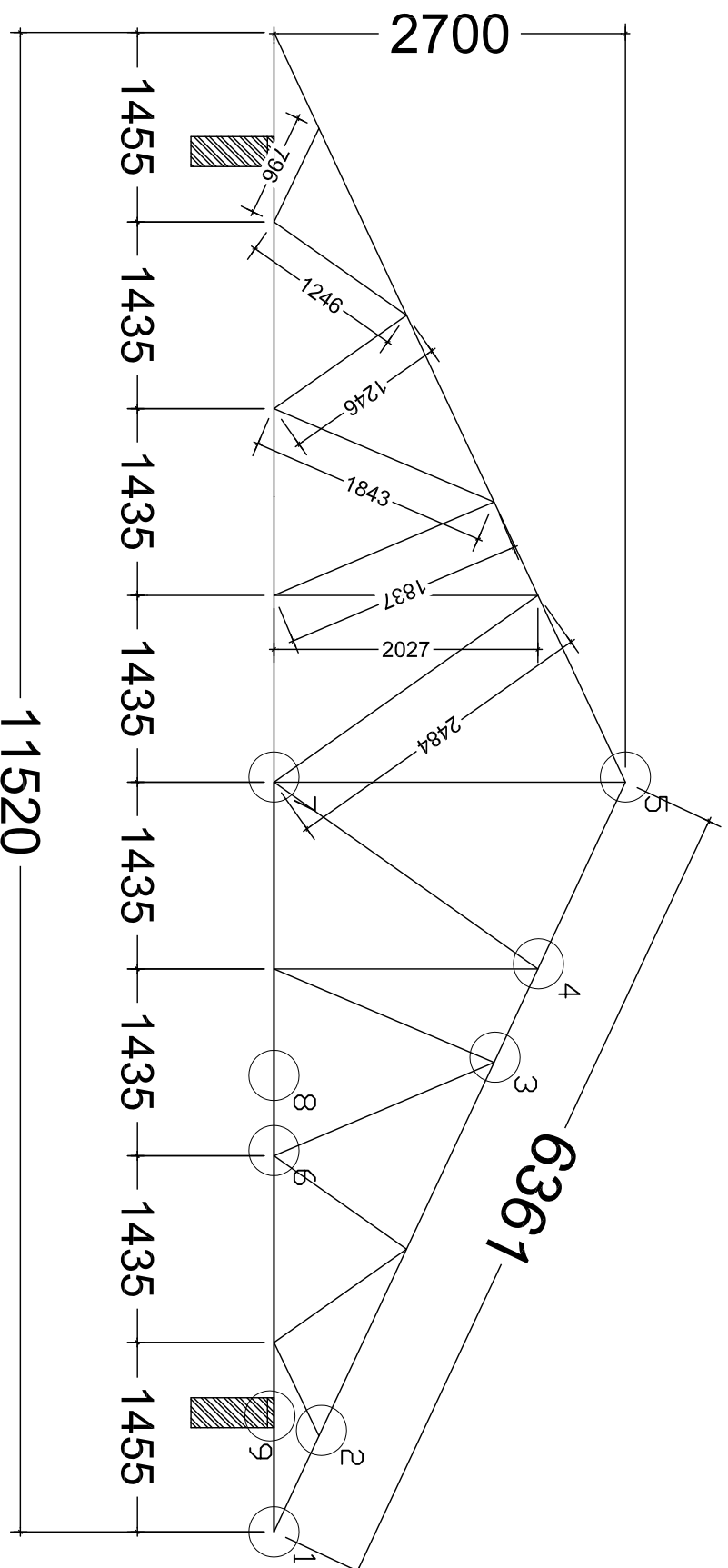
Approved by:

Date: **2018** Scale:

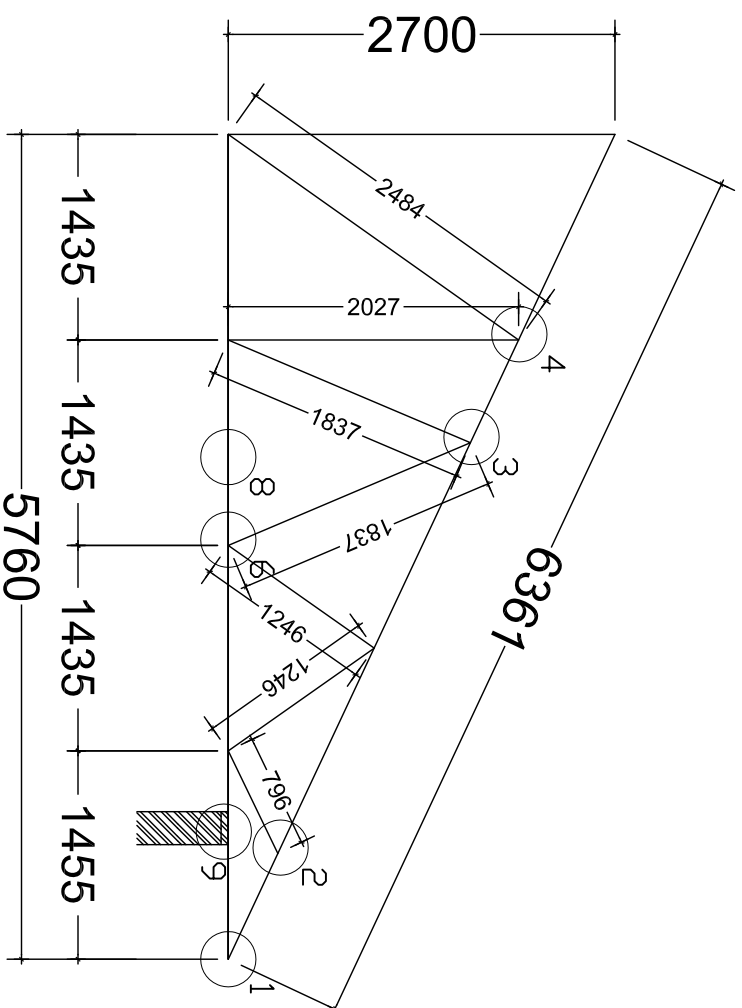
Drawing No. Sheet:

**RAD/STR.108**





TYPICAL ROOF TRUSS T01



TYPICAL ROOF TRUSS T03

**NOTE:**

1. All dimensions are in mm unless otherwise specified
2. All discrepancies shall be referred to the structural engineer
3. Reinforced concrete shall be of grade 20 with  $f_{cu}=25N/mm^2$  at 28 days of age
4. Main reinforcements shall be high tensile steel with  $f_y = 460N/mm^2$
5. Nominal cover to the reinforcements:
  - a) Foundation 50mm
  - b) Column 25mm
  - c) Beam 25mm
  - d) Slab 25mm

**PROJECT:**

**PROPOSED STANDARD  
DRAWINGS FOR COUNCIL  
HOSPITALS IN TANZANIA**

**CLIENT:**

**PRESIDENT'S OFFICE  
REGIONAL ADMINISTRATION  
LOCAL GOVERNMENT**

**MINISTRY OF HEALTH,  
COMMUNITY DEVELOPMENT,  
GENDER AND CHILDREN**

**DRAWING TITLE:  
MORTUARY  
TRUSS**

Designed by: Eng. R.A.M

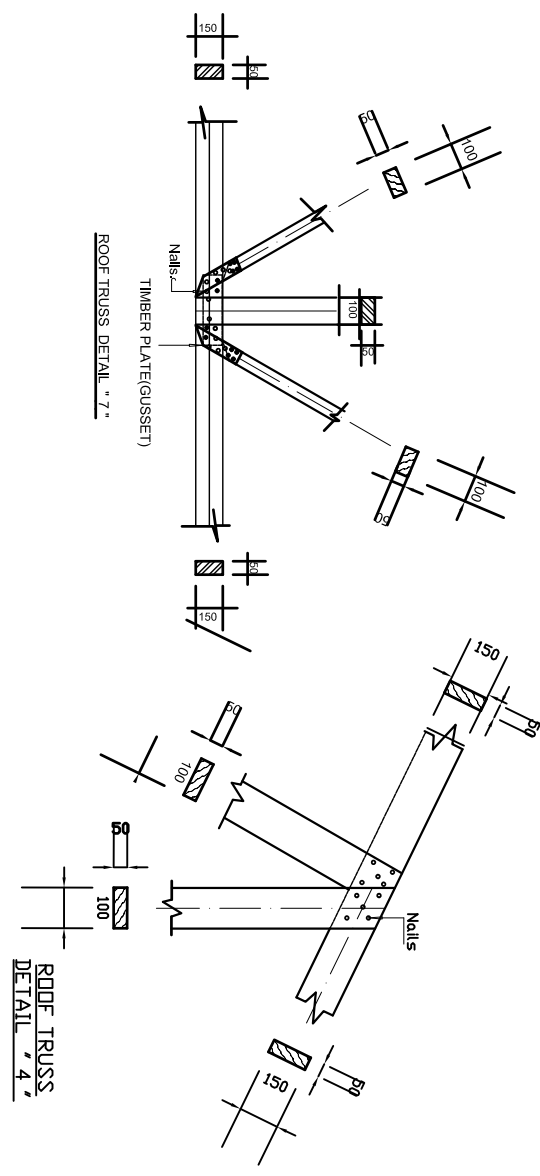
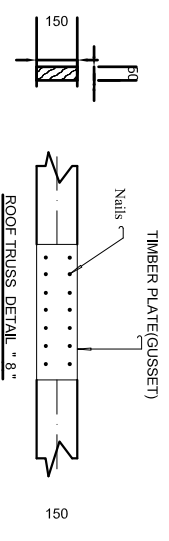
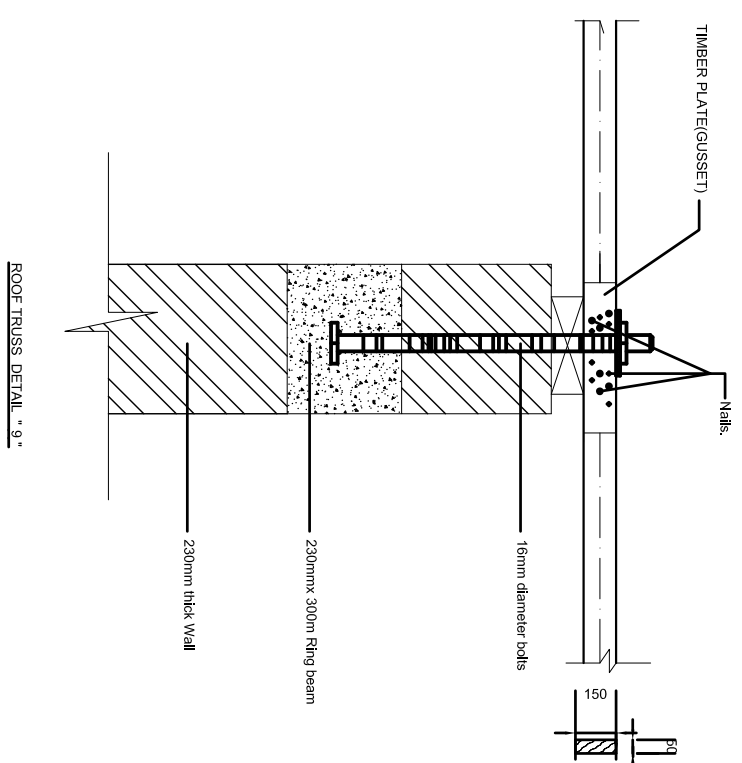
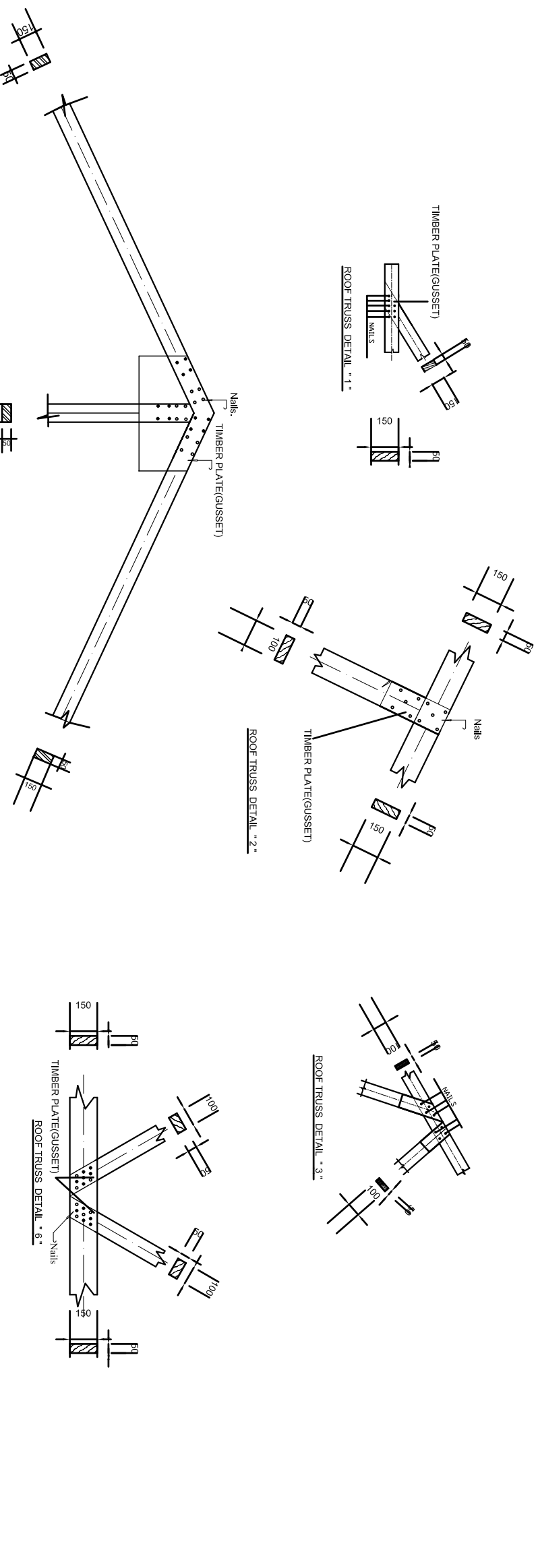
Drawn by: ENG. A.NGATOMELA

Checked by: Eng. R.A.M

Approved by:

Date: **2018** Scale:

Drawing No. **MOR/STR.109** Sheet:



**NOTE:**

1. All dimensions are in mm unless otherwise specified
2. All discrepancies shall be referred to the structural engineer
3. Reinforced concrete shall be of grade 20 with  $f_{cu}=25N/mm^2$  at 28 days of age
4. Main reinforcements shall be high tensile steel with  $f_y = 460N/mm^2$
5. Nominal cover to the reinforcements:
  - a) Foundation 50mm
  - b) Column 25mm
  - c) Beam 25mm
  - d) Slab 25mm

**PROJECT:**

**PROPOSED STANDARD DRAWINGS FOR COUNCIL HOSPITALS IN TANZANIA**

**CLIENT:**

**PRESIDENT'S OFFICE  
REGIONAL ADMINISTRATION  
LOCAL GOVERNMENT**

**MINISTRY OF HEALTH,  
COMMUNITY DEVELOPMENT,  
GENDER AND CHILDREN**

**DRAWING TITLE:  
MORTUARY BLOCK  
TRUSS DETAILS & CONNECTION 01**

Designed by:	Eng. R.A.M
Drawn by:	ENG. A.NGATOMELA
Checked by:	Eng. R.A.M
Approved by:	
Date:	2018
Drawing No.	MOR/STR.110
Scale:	Sheet:

**NOTE:**

1. All dimensions are in mm unless otherwise specified
2. All discrepancies shall be referred to the structural engineer
3. Reinforced concrete shall be of grade 20 with  $f_{cu}=25N/mm^2$  at 28 days of age
4. Main reinforcements shall be high tensile steel with  $f_y = 460N/mm^2$
5. Nominal cover to the reinforcements:
  - a) Foundation 50mm
  - b) Column 25mm
  - c) Beam 25mm
  - d) Slab 25mm

**PROJECT:**

**PROPOSED STANDARD  
DRAWINGS FOR COUNCIL  
HOSPITALS IN TANZANIA**

**CLIENT:**

**PRESIDENT'S OFFICE  
REGIONAL ADMINISTRATION  
LOCAL GOVERNMENT**

**MINISTRY OF HEALTH,  
COMMUNITY DEVELOPMENT,  
GENDER AND CHILDREN**

**DRAWING TITLE:**

**MORTUARY BLOCK  
TRUSS DETAILS & CONNECTION 02**

**Designed by:** Eng. R.A.M

**Drawn by:** ENG. A. NGATOMELA

**Checked by:** Eng. R.A.M

**Approved by:**

**Date:** 2018 **Scale:**

**Drawing No.** **Sheet:**

**MOR/STR.111**

