

FOUNDATION PLAN

NOTE:

1. All dimensions are in mm unless otherwise specified
2. All discrepancies shall be referred to the structural engineer
3. Reinforced concrete shall be of grade 20 with $f_{cu}=25N/mm^2$ at 28 days of age
4. Main reinforcements shall be high tensile steel with $f_y = 460N/mm^2$
5. Nominal cover to the reinforcements:
 - a) Foundation 50mm
 - b) Column 25mm
 - c) Beam 25mm
 - d) Slab 25mm

PROJECT:

**PROPOSED STANDARD
DRAWINGS FOR COUNCIL
HOSPITALS IN TANZANIA**

CLIENT:

**PRESIDENT'S OFFICE
REGIONAL ADMINISTRATION
LOCAL GOVERNMENT**

**MINISTRY OF HEALTH,
COMMUNITY DEVELOPMENT,
GENDER AND CHILDREN**

**DRAWING TITLE:
HEALTH CARE TECHNICAL
SERVICE BLOCK
FOUNDATION PLAN**

Designed by: Eng. R.A.M

Drawn by: ENG. A.NGATOMELA

Checked by: Eng. R.A.M

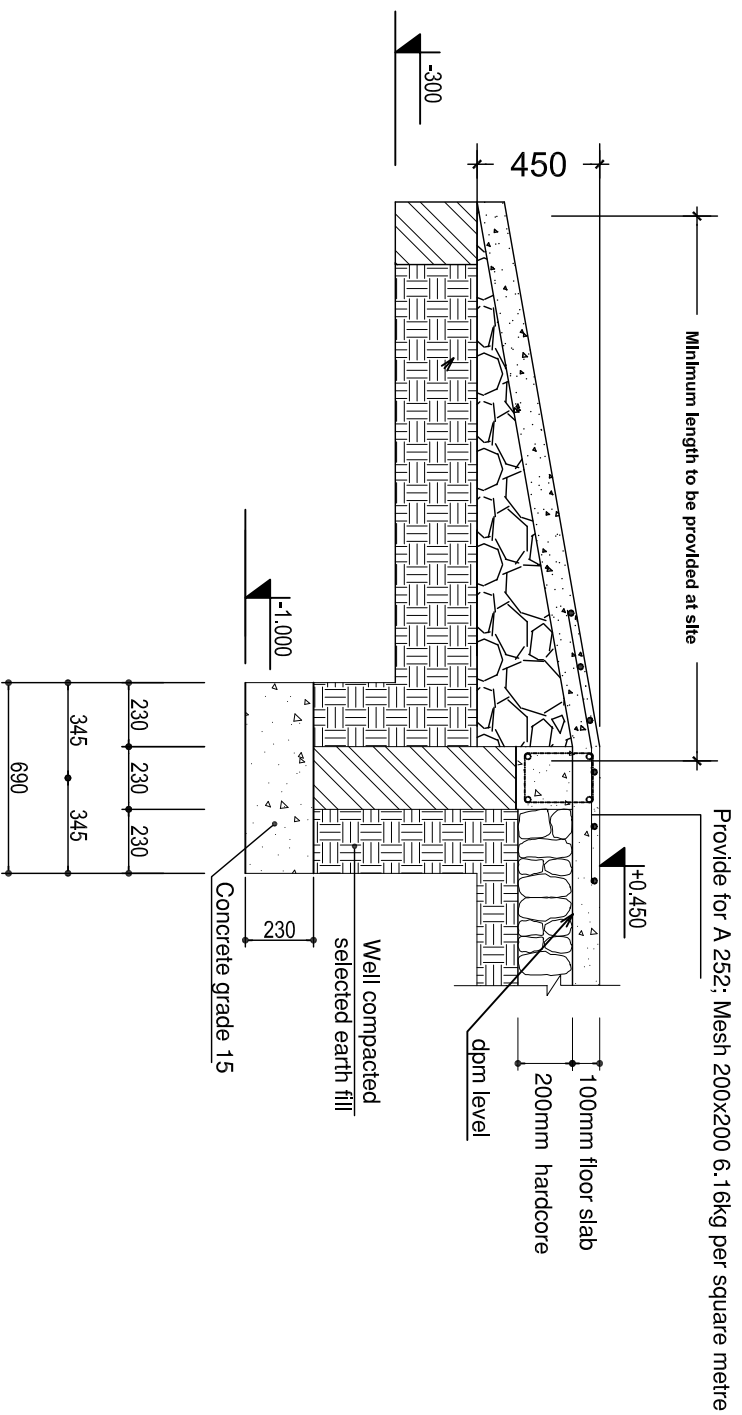
Approved by:

Date: **2018**

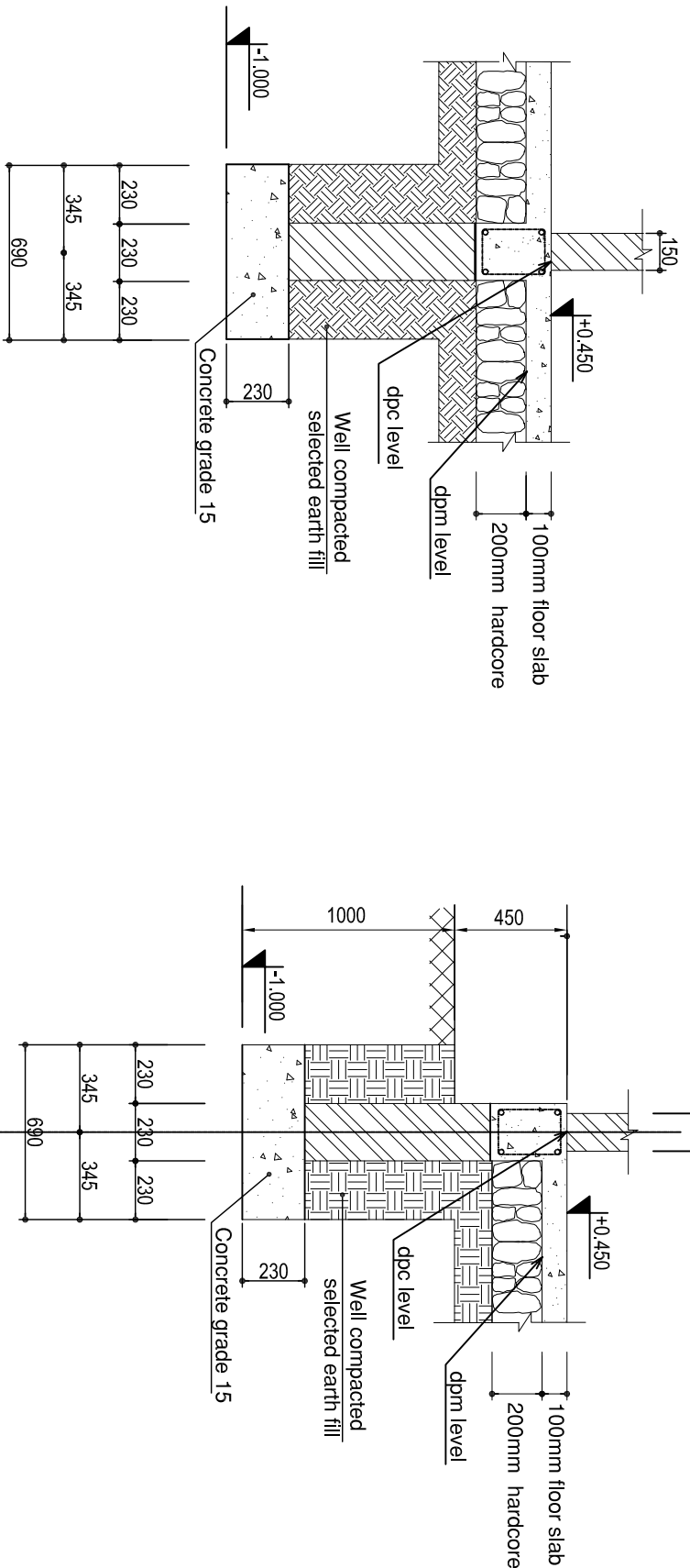
Scale:

Drawing No. **HTCS/STR.101**

Sheet:



Section C - C: Ramp Details



Section B - B

Section A - A

FOUNDATION DETAILS

NOTE:

1. All dimensions are in mm unless otherwise specified
2. All discrepancies shall be referred to the structural engineer
3. Reinforced concrete shall be of grade 20 with $f_{cu}=25N/mm^2$ at 28 days of age
4. Main reinforcements shall be high tensile steel with $f_y = 460N/mm^2$
5. Nominal cover to the reinforcements:
 - a) Foundation 50mm
 - b) Column 25mm
 - c) Beam 25mm
 - d) Slab 25mm

PROJECT:

PROPOSED STANDARD DRAWINGS FOR COUNCIL HOSPITALS IN TANZANIA

CLIENT:

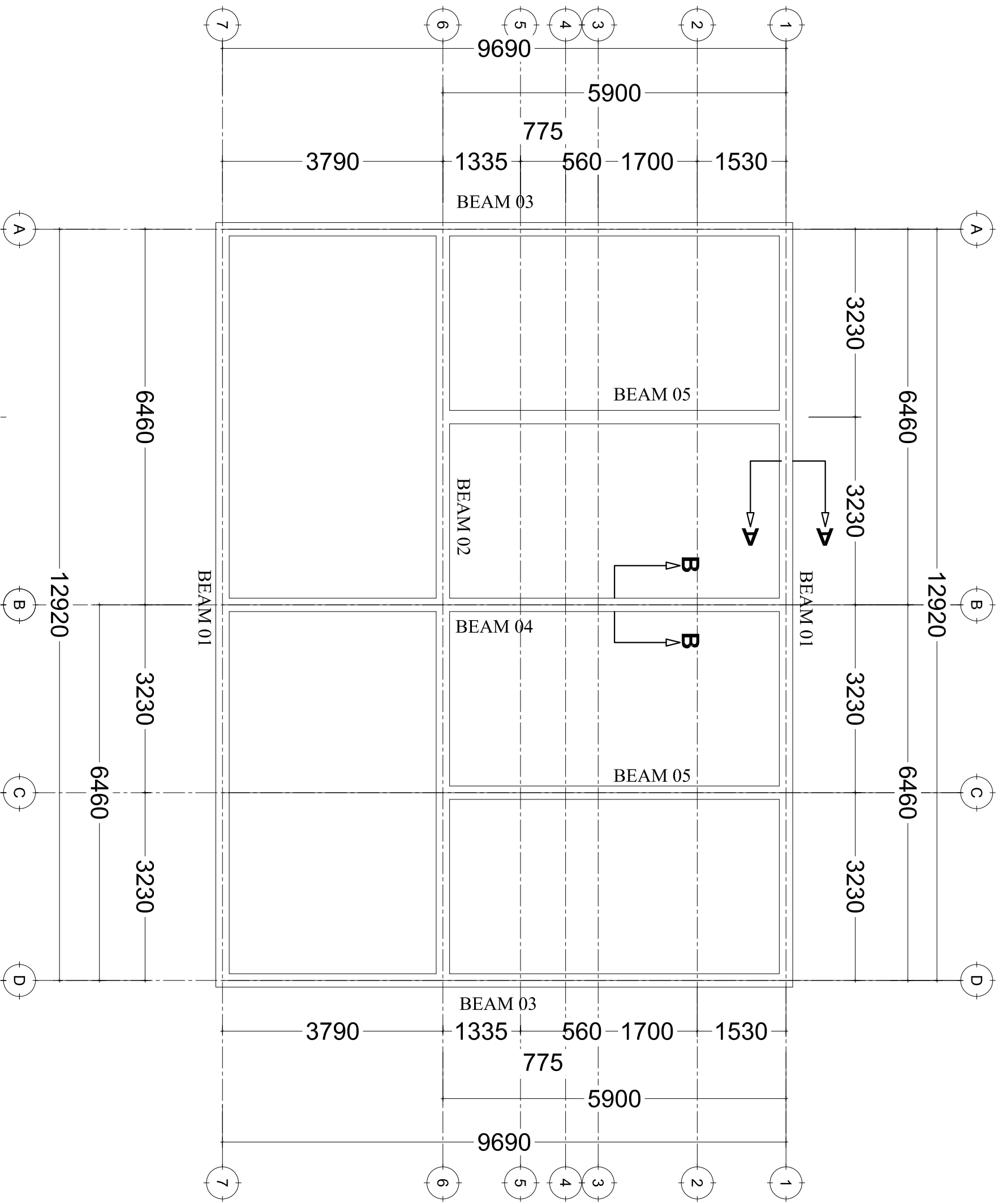
PRESIDENT'S OFFICE REGIONAL ADMINISTRATION LOCAL GOVERNMENT

MINISTRY OF HEALTH, COMMUNITY DEVELOPMENT, GENDER AND CHILDREN

**DRAWING TITLE:
HEALTH CARE TECHNICAL SERVICES BLOCK FOUNDATION DETAILS**

Designed by:	Eng. R.A.M
Drawn by:	ENG. A.NGATOMELA
Checked by:	Eng. R.A.M
Approved by:	

Date:	2018	Scale:	
Drawing No.	HCTS/STR.102	Sheet:	



PLINTH BEAMS LAYOUT

NOTE:

1. All dimensions are in mm unless otherwise specified
2. All discrepancies shall be referred to the structural engineer
3. Reinforced concrete shall be of grade 20 with $f_{cu}=25N/mm^2$ at 28 days of age
4. Main reinforcements shall be high tensile steel with $f_y = 460N/mm^2$
5. Nominal cover to the reinforcements:
 - a) Foundation 50mm
 - b) Column 25mm
 - c) Beam 25mm
 - d) Slab 25mm

PROJECT:

**PROPOSED STANDARD
DRAWINGS FOR COUNCIL
HOSPITALS IN TANZANIA**

CLIENT:

**PRESIDENT'S OFFICE
REGIONAL ADMINISTRATION
LOCAL GOVERNMENT**

**MINISTRY OF HEALTH,
COMMUNITY DEVELOPMENT,
GENDER AND CHILDREN**

**DRAWING TITLE:
HEALTH CARE TECHNICAL
SERVICES BLOCK
PLINTH BEAM LAYOUT**

Designed by: Eng. R.A.M

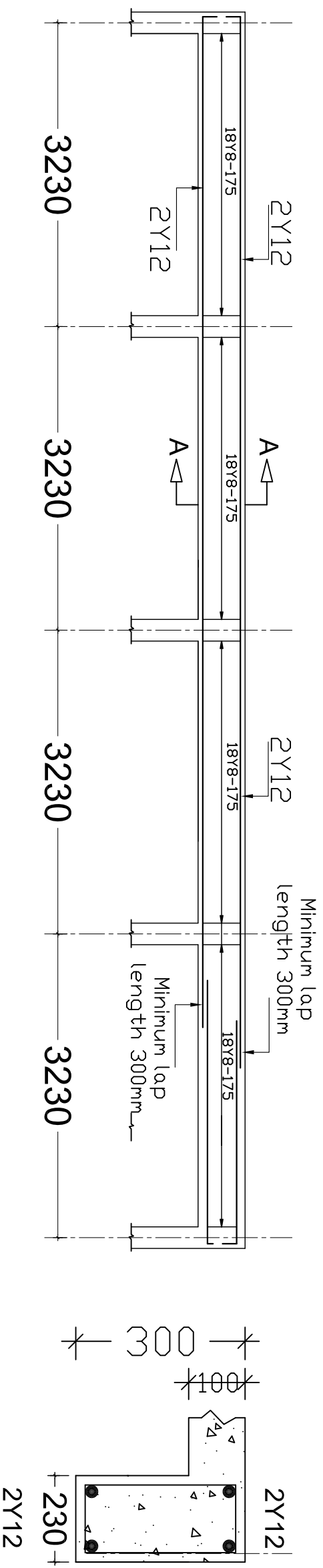
Drawn by: ENG. A.NGATOMELA

Checked by: Eng. R.A.M

Approved by:

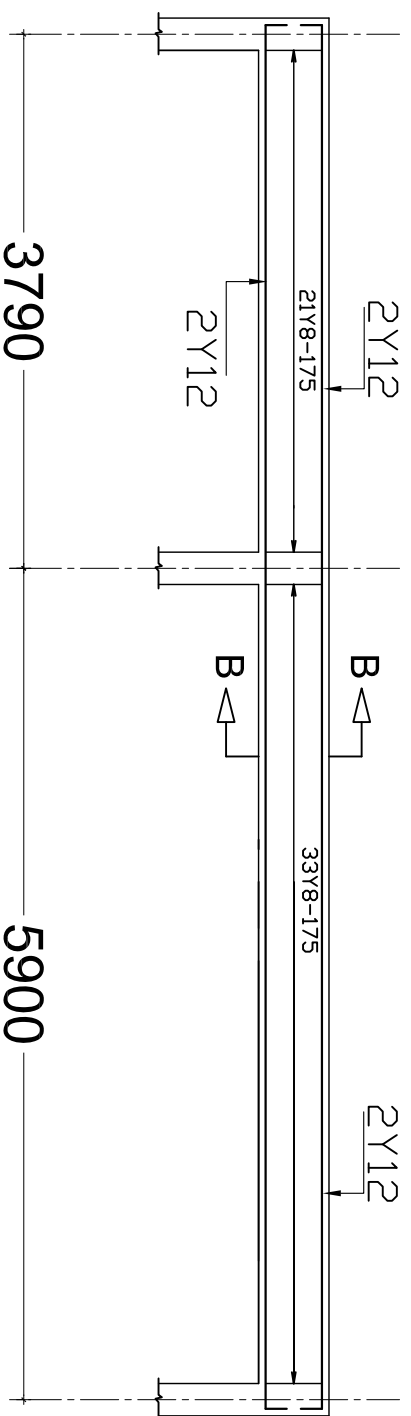
Date: **2018** Scale:

Drawing No. HCTS/STR.103 Sheet:

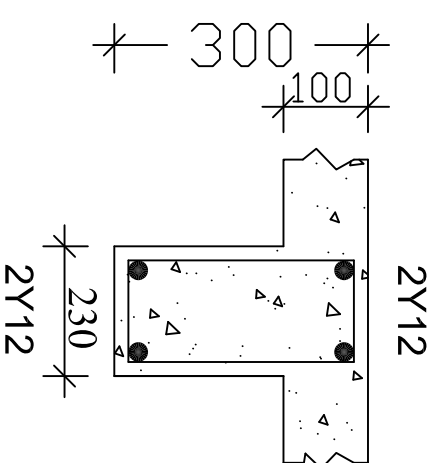


TYPICAL PLINTH BEAM 01
SECTION 230x300mm FDR
ALL EXTERNAL BEAMS

SECTION A-A



TYPICAL PLINTH BEAM 04
SECTION 230x300mm FDR
ALL INTERNAL BEAMS



SECTION B-B

NOTE:

1. All dimensions are in mm unless otherwise specified
2. All discrepancies shall be referred to the structural engineer
3. Reinforced concrete shall be of grade 20 with $f_{cu}=25N/mm^2$ at 28 days of age
4. Main reinforcements shall be high tensile steel with $f_y = 460N/mm^2$
5. Nominal cover to the reinforcements:
 - a) Foundation 50mm
 - b) Column 25mm
 - c) Beam 25mm
 - d) Slab 25mm

PROJECT:

**PROPOSED STANDARD
DRAWINGS FOR COUNCIL
HOSPITALS IN TANZANIA**

CLIENT:

**PRESIDENT'S OFFICE
REGIONAL ADMINISTRATION
LOCAL GOVERNMENT**

**MINISTRY OF HEALTH,
COMMUNITY DEVELOPMENT,
GENDER AND CHILDREN**

**DRAWING TITLE:
HEALTH CARE TECHNICAL
SERVICES BLOCK
PLINTH BEAM DETAILS**

Designed by: Eng. R.A.M

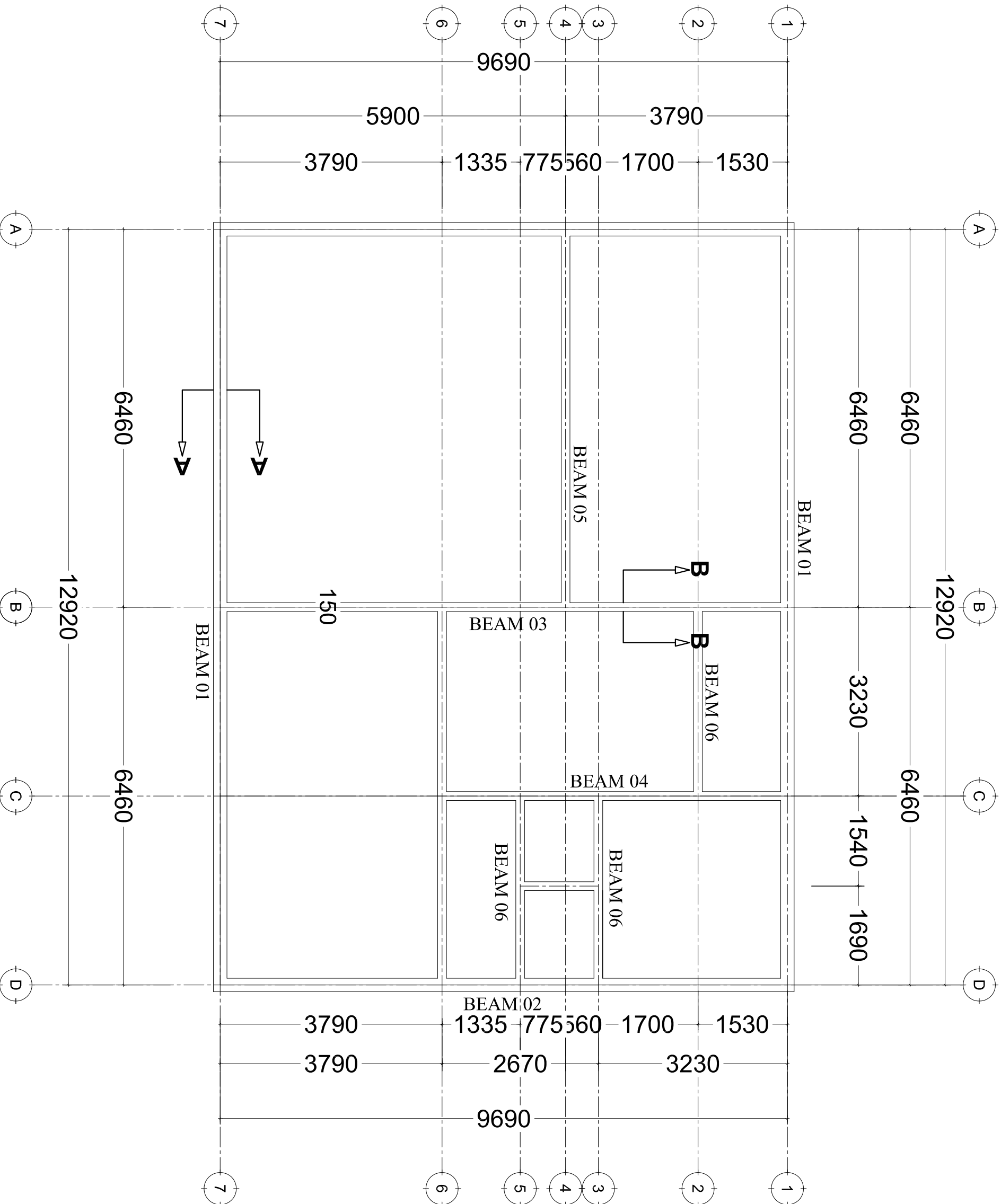
Drawn by: ENG. A.NGATOMELA

Checked by: Eng. R.A.M

Approved by:

Date: **2018** Scale:

Drawing No. **HCTS/STR.104** Sheet:



NOTE:

1. All dimensions are in mm unless otherwise specified
2. All discrepancies shall be referred to the structural engineer
3. Reinforced concrete shall be of grade 20 with $f_{cu}=25N/mm^2$ at 28 days of age
4. Main reinforcements shall be high tensile steel with $f_y = 460N/mm^2$
5. Nominal cover to the reinforcements:
 - a) Foundation 50mm
 - b) Column 25mm
 - c) Beam 25mm
 - d) Slab 25mm

PROJECT:

**PROPOSED STANDARD
DRAWINGS FOR COUNCIL
HOSPITALS IN TANZANIA**

CLIENT:

**PRESIDENT'S OFFICE
REGIONAL ADMINISTRATION
LOCAL GOVERNMENT**

**MINISTRY OF HEALTH,
COMMUNITY DEVELOPMENT,
GENDER AND CHILDREN**

**DRAWING TITLE:
HEALTHY CARE TECHNICAL
SERVICES BLOCK
RING BEAM LAYOUT**

Designed by: Eng. R.A.M

Drawn by: ENG. A.NGATOMELA

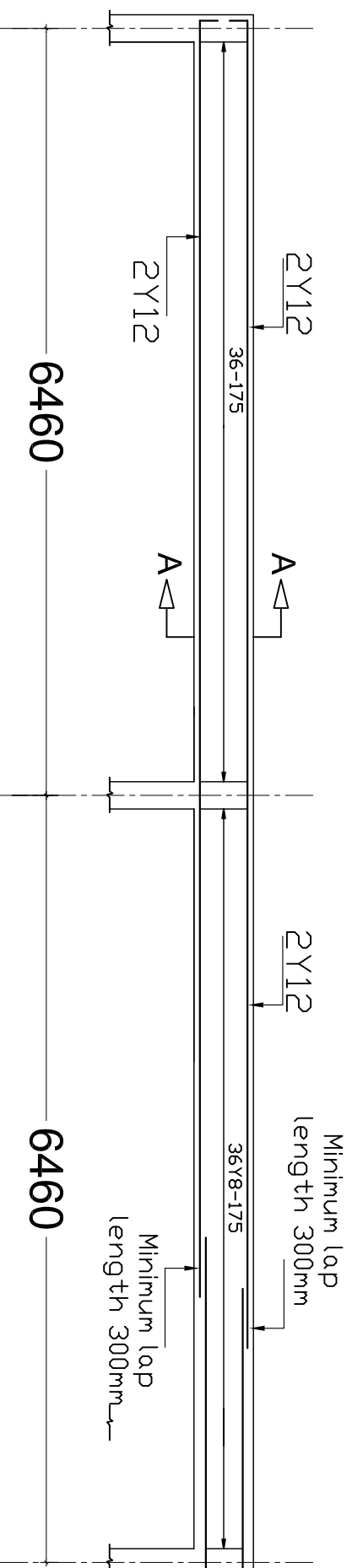
Checked by: Eng. R.A.M

Approved by:

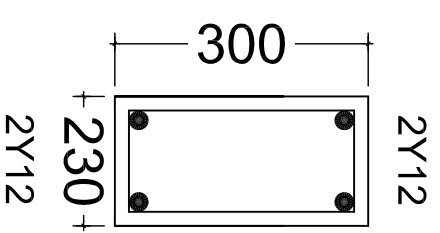
Date: **2018** Scale:

Drawing No. Sheet:

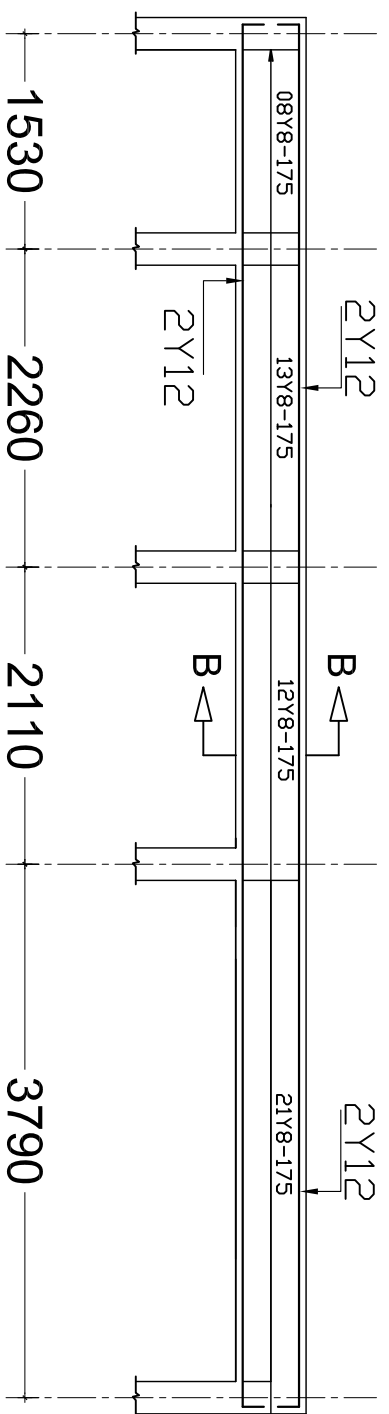
HCTS/STR.105



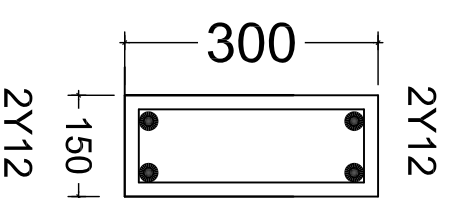
TYPICAL RING BEAM 01
SECTION 230X300mm FDR
ALL EXTERNAL BEAMS



SECTION A-A



TYPICAL RING BEAM 02
SECTION 150X300mm FDR
ALL INTERNAL BEAMS



SECTION B-B

NOTE:

1. All dimensions are in mm unless otherwise specified
2. All discrepancies shall be referred to the structural engineer
3. Reinforced concrete shall be of grade 20 with $f_{cu}=25N/mm^2$ at 28 days of age
4. Main reinforcements shall be high tensile steel with $f_y = 460N/mm^2$
5. Nominal cover to the reinforcements:
 - a) Foundation 50mm
 - b) Column 25mm
 - c) Beam 25mm
 - d) Slab 25mm

PROJECT:

**PROPOSED STANDARD
DRAWINGS FOR COUNCIL
HOSPITALS IN TANZANIA**

CLIENT:

**PRESIDENT'S OFFICE
REGIONAL ADMINISTRATION
LOCAL GOVERNMENT**

**MINISTRY OF HEALTH,
COMMUNITY DEVELOPMENT,
GENDER AND CHILDREN**

DRAWING TITLE:

**HEALTHY CARE TECHNICAL
SERVICES BLOCK
RING BEAM DETAILS**

Designed by: Eng. R.A.M

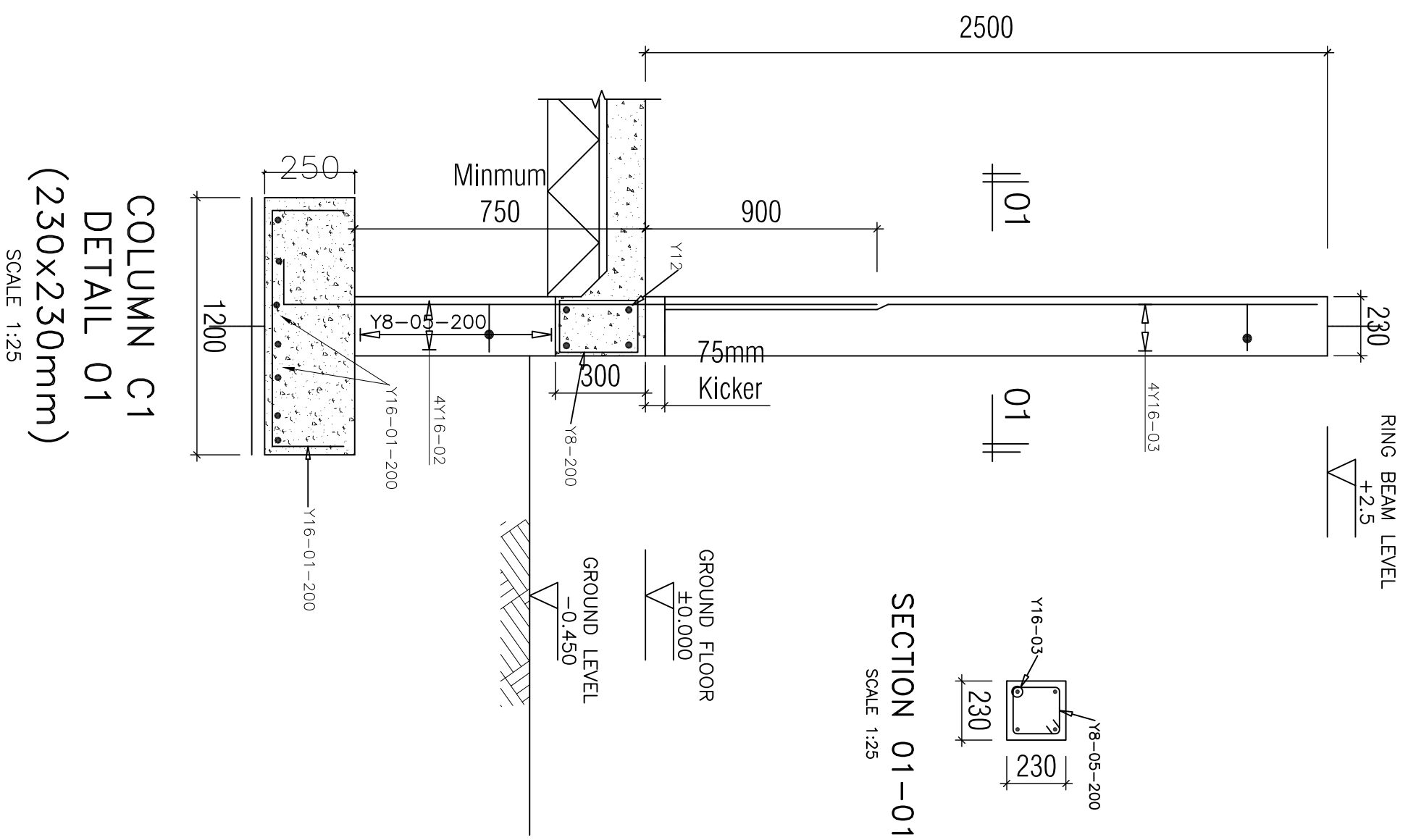
Drawn by: ENG. A.NGATOMELA

Checked by: Eng. R.A.M

Approved by:

Date: **2018** Scale:

Drawing No. HCTS/STR.106 Sheet:



- NOTE:**
- All dimensions are in mm unless otherwise specified
 - All discrepancies shall be referred to the structural engineer
 - Reinforced concrete shall be of grade 20 with $f_{cu}=25N/mm^2$ at 28 days of age
 - Main reinforcements shall be high tensile steel with $f_y = 460N/mm^2$
 - Nominal cover to the reinforcements:
 - Foundation 50mm
 - Column 25mm
 - Beam 25mm
 - Slab 25mm

PROJECT:
**PROPOSED STANDARD
 DRAWINGS FOR COUNCIL
 HOSPITALS IN TANZANIA**

CLIENT:
**PRESIDENT'S OFFICE
 REGIONAL ADMINISTRATION
 LOCAL GOVERNMENT**

**MINISTRY OF HEALTH,
 COMMUNITY DEVELOPMENT,
 GENDER AND CHILDREN**

DRAWING TITLE:
**HEALTHY CARE TECHNICAL
 SERVICES BLOCK
 COLUMN DETAILS**

Designed by: Eng. R.A.M

Drawn by: ENG. A.NGATOMELA

Checked by: Eng. R.A.M

Approved by:

Date: 2018

Drawing No. HCTS/STR.107

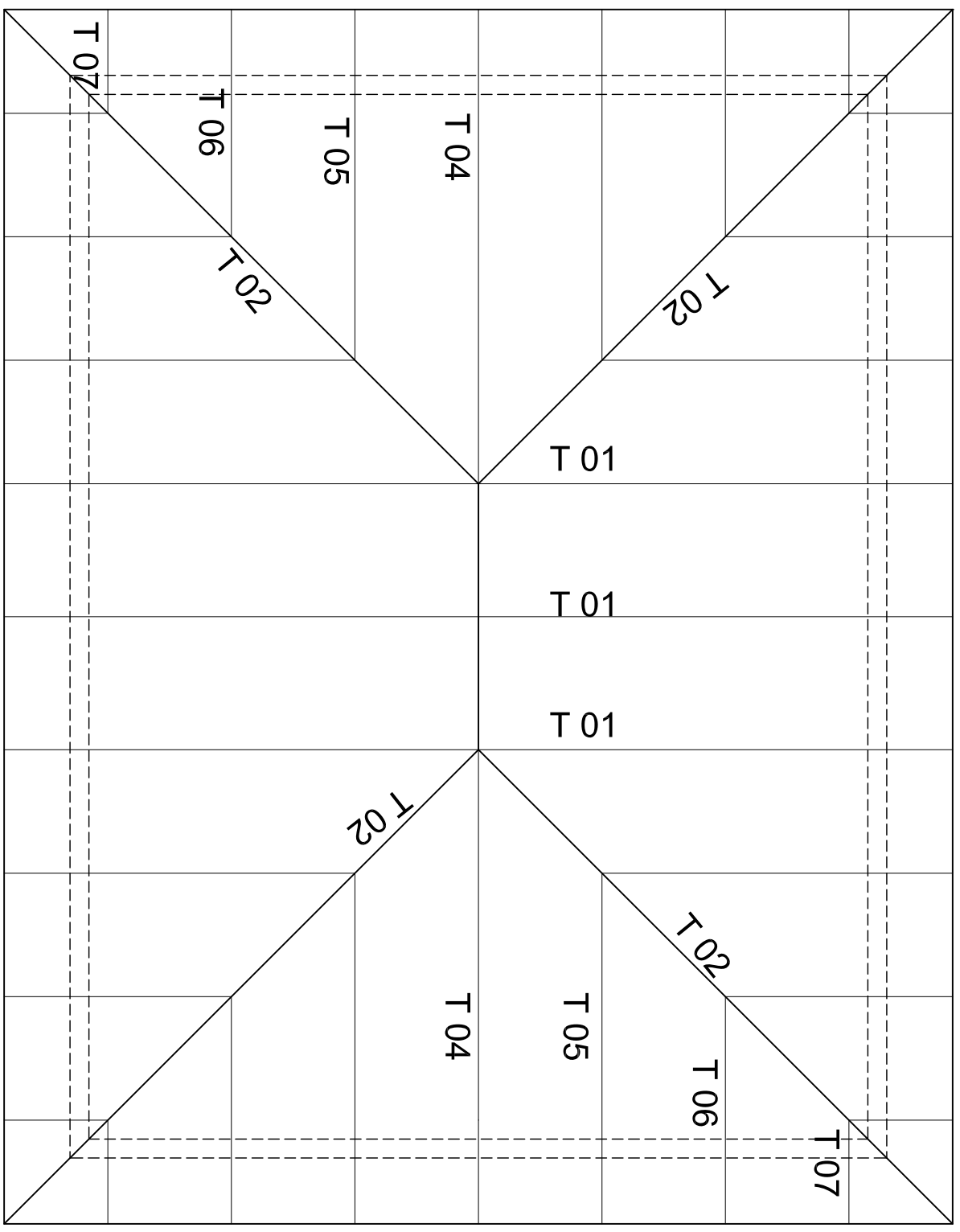
Scale:

Sheet:

**COLUMN C1
 DETAIL 01
 (230x230mm)**

SCALE 1:25

1260 1500 1500 1500 1500 1500 1500 1260



1260 1500 1500 1500 1500 1500 1500 1260

1260 1500 1500 1500 1500 1500 1500 1260

NOTE:

1. All dimensions are in mm unless otherwise specified
2. All discrepancies shall be referred to the structural engineer
3. Reinforced concrete shall be of grade 20 with $f_{cu}=25N/mm^2$ at 28 days of age
4. Main reinforcements shall be high tensile steel with $f_y = 460N/mm^2$
5. Nominal cover to the reinforcements:
 - a) Foundation 50mm
 - b) Column 25mm
 - c) Beam 25mm
 - d) Slab 25mm

PROJECT:

**PROPOSED STANDARD
DRAWINGS FOR COUNCIL
HOSPITALS IN TANZANIA**

CLIENT:

**PRESIDENT'S OFFICE
REGIONAL ADMINISTRATION
LOCAL GOVERNMENT**

**MINISTRY OF HEALTH,
COMMUNITY DEVELOPMENT,
GENDER AND CHILDREN**

**DRAWING TITLE:
HEALTHY CARE TECHNICAL
SERVICES BLOCK
TRUSS LAYOUT**

Designed by: Eng. R.A.M

Drawn by: ENG. A.NGATOMELA

Checked by: Eng. R.A.M

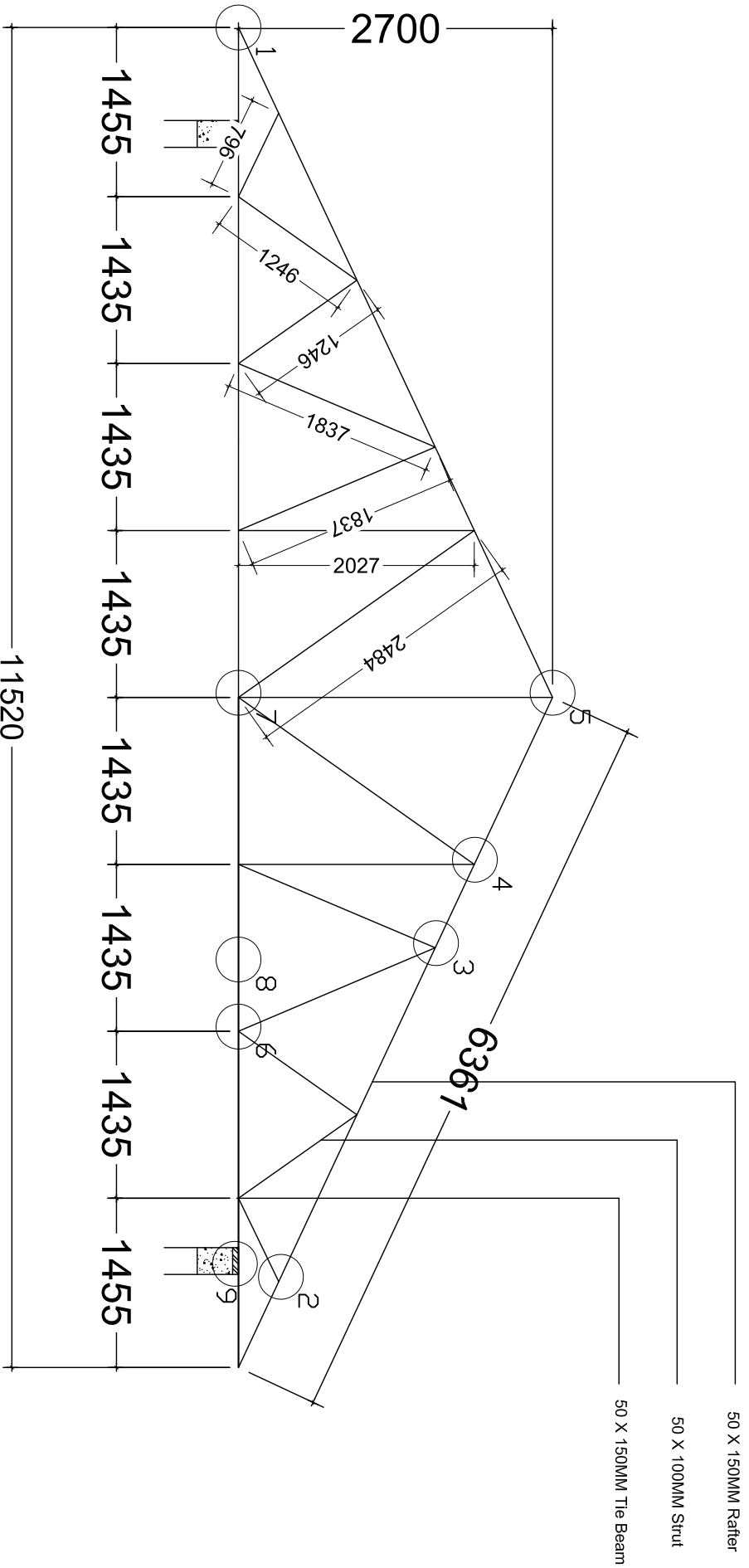
Approved by:

Date: **2018** Scale:

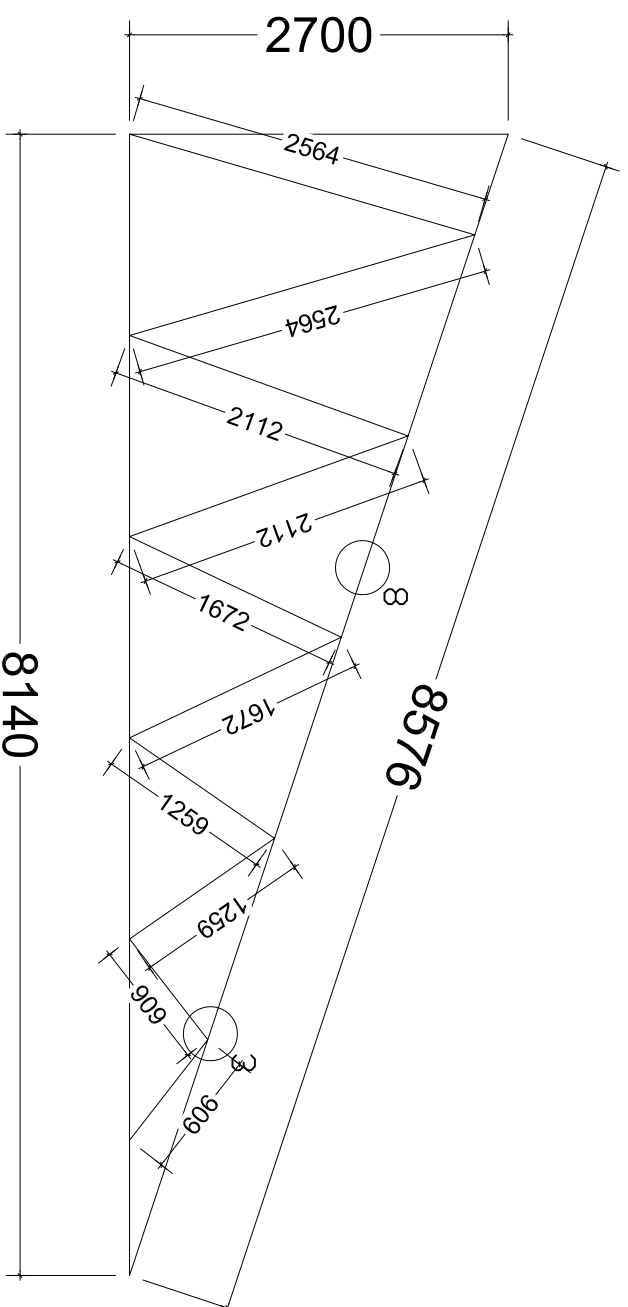
Drawing No. Sheet:

HCTS/STR.108

TRUSS LAYOUT



TYPICAL ROOF TRUSS T01



TYPICAL ROOF TRUSS T02

NOTE:

1. All dimensions are in mm unless otherwise specified
2. All discrepancies shall be referred to the structural engineer
3. Reinforced concrete shall be of grade 20 with $f_{cu}=25N/mm^2$ at 28 days of age
4. Main reinforcements shall be high tensile steel with $f_y = 460N/mm^2$
5. Nominal cover to the reinforcements:
 - a) Foundation 50mm
 - b) Column 25mm
 - c) Beam 25mm
 - d) Slab 25mm

PROJECT:

PROPOSED STANDARD DRAWINGS FOR COUNCIL HOSPITALS IN TANZANIA

CLIENT:

**PRESIDENT'S OFFICE
REGIONAL ADMINISTRATION
LOCAL GOVERNMENT**

**MINISTRY OF HEALTH,
COMMUNITY DEVELOPMENT,
GENDER AND CHILDREN**

**DRAWING TITLE:
HEALTHY CARE TECHNICAL
SERVICES BLOCK
TRUSS**

Designed by: Eng. R.A.M

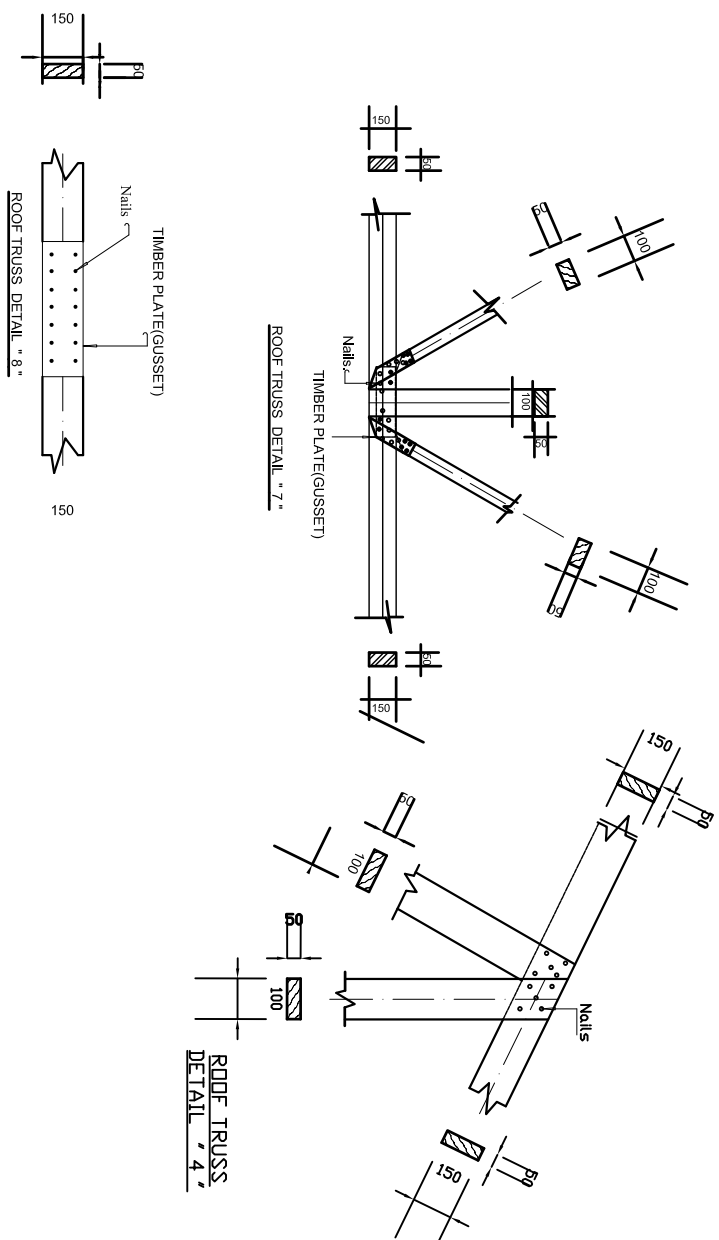
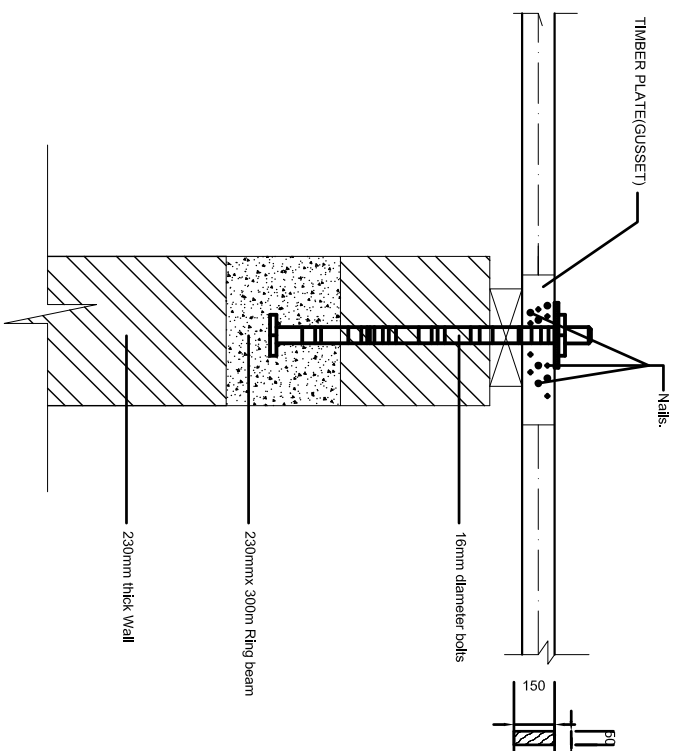
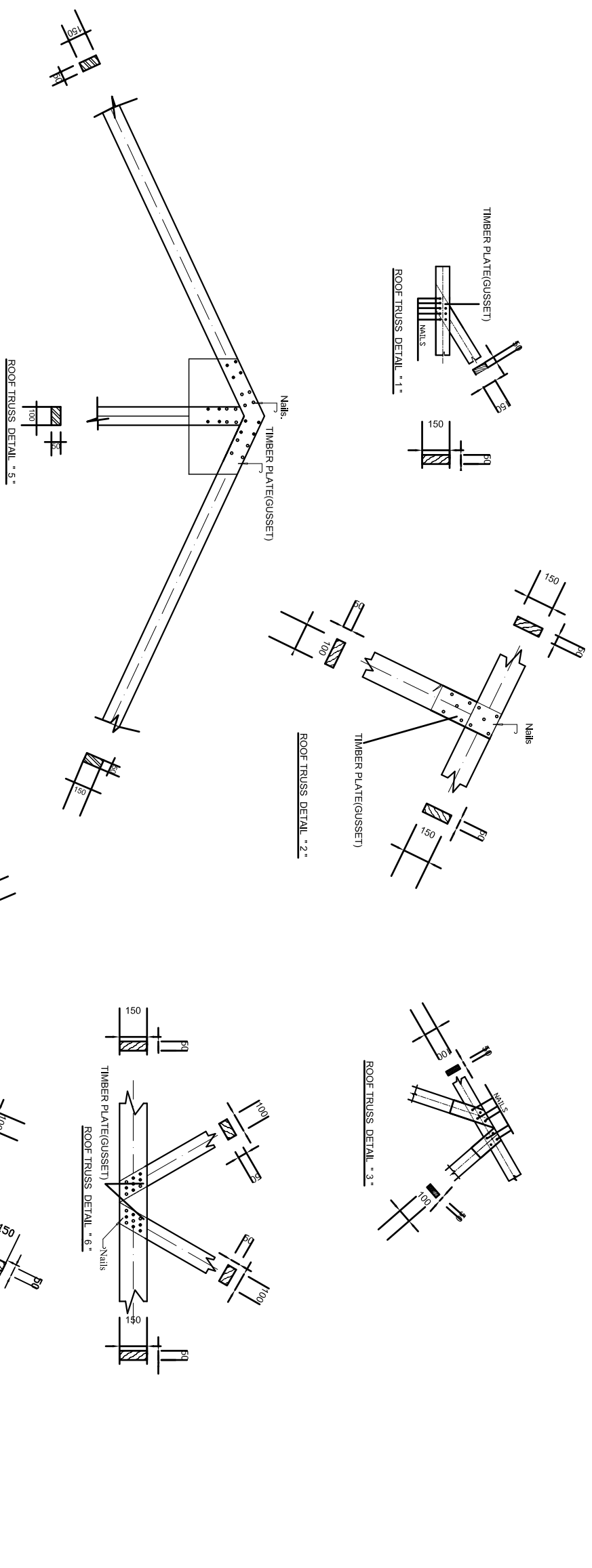
Drawn by: ENG. A.NGATOMELA

Checked by: Eng. R.A.M

Approved by:

Date: **2018** Scale:

Drawing No. **HCTS/STR.109** Sheet:



NOTE:

1. All dimensions are in mm unless otherwise specified
2. All discrepancies shall be referred to the structural engineer
3. Reinforced concrete shall be of grade 20 with $f_{cu}=25N/mm^2$ at 28 days of age
4. Main reinforcements shall be high tensile steel with $f_y = 460N/mm^2$
5. Nominal cover to the reinforcements:
 - a) Foundation 50mm
 - b) Column 25mm
 - c) Beam 25mm
 - d) Slab 25mm

PROJECT:

PROPOSED STANDARD DRAWINGS FOR COUNCIL HOSPITALS IN TANZANIA

CLIENT:

**PRESIDENT'S OFFICE
REGIONAL ADMINISTRATION
LOCAL GOVERNMENT**

**MINISTRY OF HEALTH,
COMMUNITY DEVELOPMENT,
GENDER AND CHILDREN**

DRAWING TITLE:

**HEALTHY CARE
TECHNICAL SERVICES BLOCK
TRUSS DETAILS & CONNECTION 01**

Designed by: Eng. R.A.M

Drawn by: ENG. A.NGATOMELA

Checked by: Eng. R.A.M

Approved by:

Date: **2018** Scale:

Drawing No. Sheet:

HCTS/STR.110

- NOTE:**
- All dimensions are in mm unless otherwise specified
 - All discrepancies shall be referred to the structural engineer
 - Reinforced concrete shall be of grade 20 with $f_{cu}=25N/mm^2$ at 28 days of age
 - Main reinforcements shall be high tensile steel with $f_y = 460N/mm^2$
 - Nominal cover to the reinforcements:
 - Foundation 50mm
 - Column 25mm
 - Beam 25mm
 - Slab 25mm

PROJECT:

PROPOSED STANDARD DRAWINGS FOR COUNCIL HOSPITALS IN TANZANIA

CLIENT: PRESIDENT'S OFFICE
REGIONAL ADMINISTRATION
LOCAL GOVERNMENT

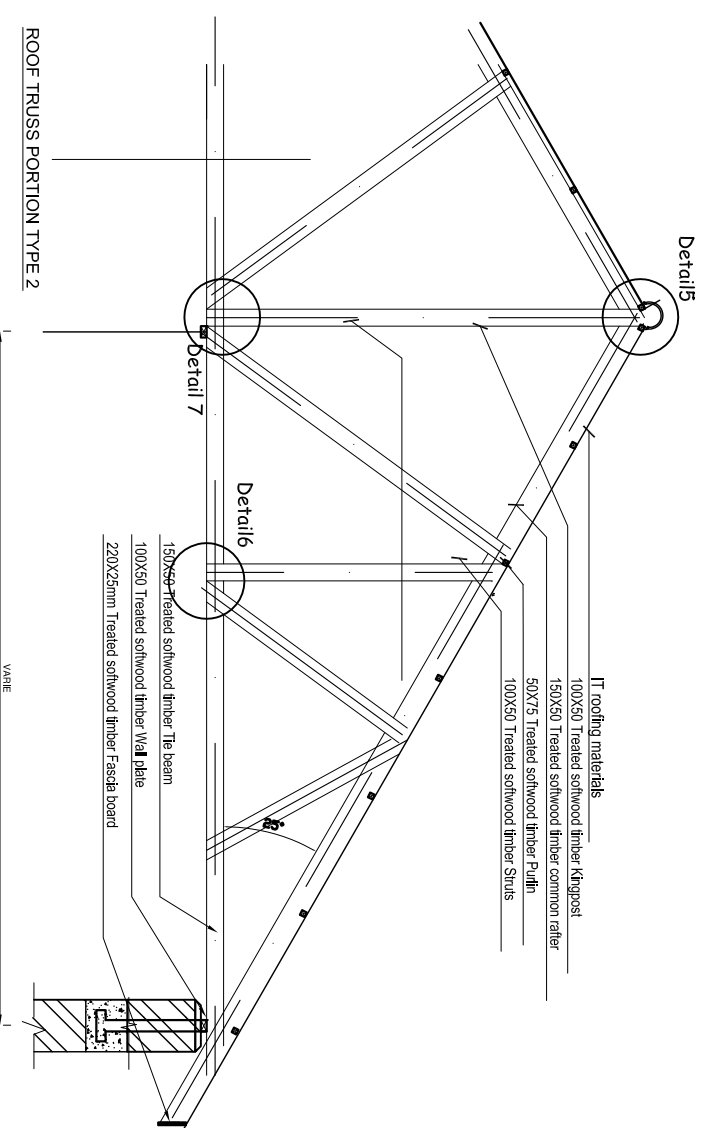
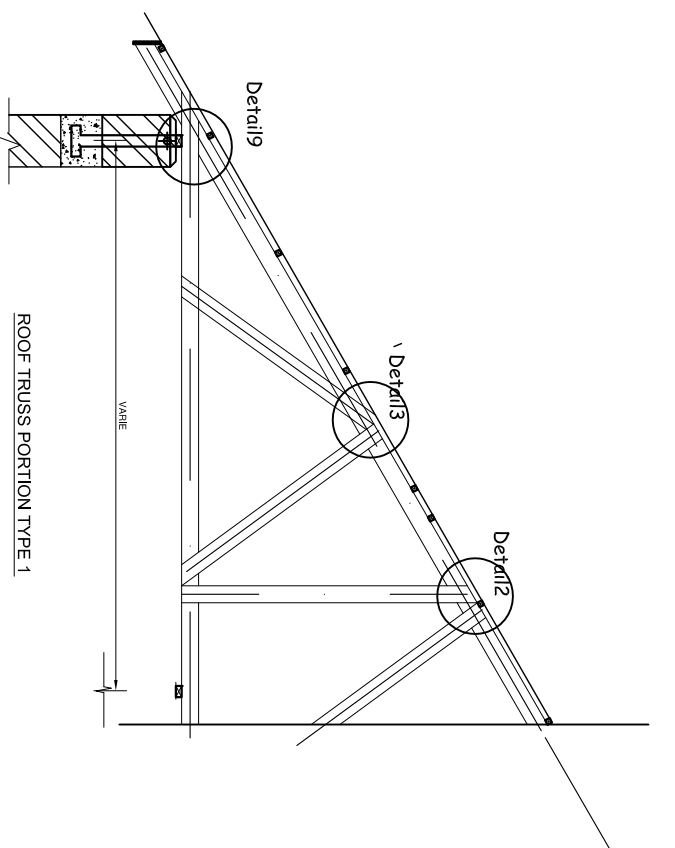
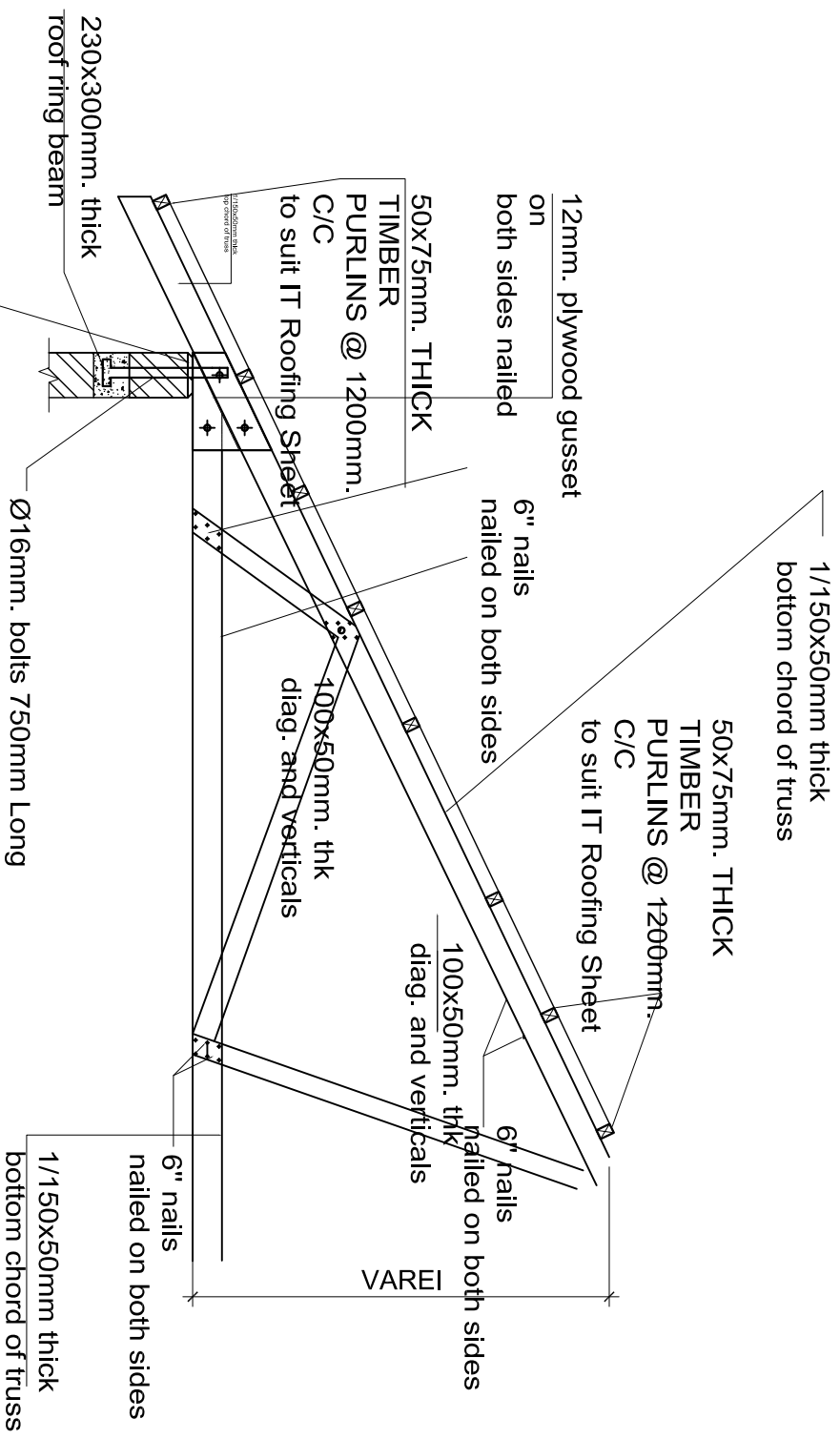
**MINISTRY OF HEALTH,
COMMUNITY DEVELOPMENT,
GENDER AND CHILDREN**

DRAWING TITLE:

**HEALTHY CARE
TECHNICAL SERVICES BLOCK
TRUSS DETAILS & CONNECTION 02**

Designed by:	Eng. R.A.M
Drawn by:	ENG. A.NGATOMELA
Checked by:	Eng. R.A.M
Approved by:	

Date:	2018
Scale:	
Drawing No.	Sheet:
HCTS/STR.111	



IT roofing materials

- 100X50 Treated softwood timber Kigpost
- 150X50 Treated softwood timber common rafter
- 50X75 Treated softwood timber Purlin
- 100X50 Treated softwood timber Struts

150x75 Treated softwood timber The beam

- 100X50 Treated softwood timber Wall plate
- 220X25mm Treated softwood timber Fascia board