

FOUNDATION PLAN

NOTE:

1. All dimensions are in mm unless otherwise specified
2. All discrepancies shall be referred to the structural engineer
3. Reinforced concrete shall be of grade 20 with $f_{cu}=25N/mm^2$ at 28 days of age
4. Main reinforcements shall be high tensile steel with $f_y = 460N/mm^2$
5. Nominal cover to the reinforcements:
 - a) Foundation 50mm
 - b) Column 25mm
 - c) Beam 25mm
 - d) Slab 25mm

PROJECT:

**PROPOSED STANDARD
DRAWINGS FOR COUNCIL
HOSPITALS IN TANZANIA**

CLIENT:

**PRESIDENT'S OFFICE
REGIONAL ADMINISTRATION
LOCAL GOVERNMENT**

**MINISTRY OF HEALTH,
COMMUNITY DEVELOPMENT,
GENDER AND CHILDREN**

**DRAWING TITLE:
RADIOLOGY DEPARTMENT
FOUNDATION PLAN**

Designed by: Eng. R.A.M

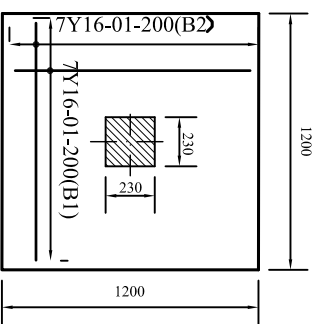
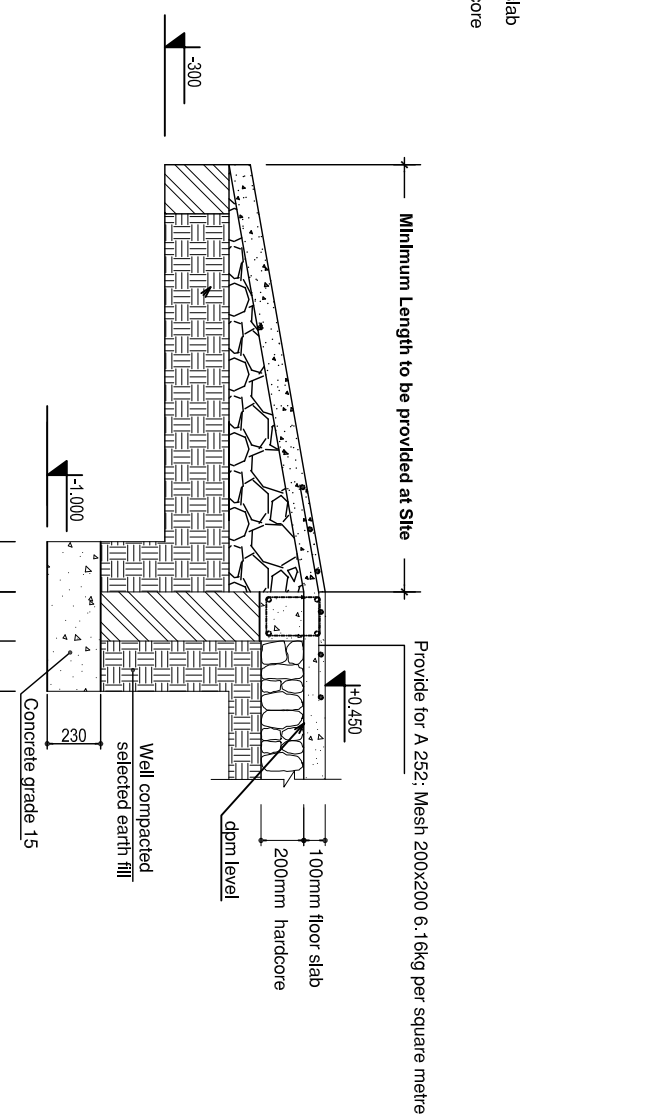
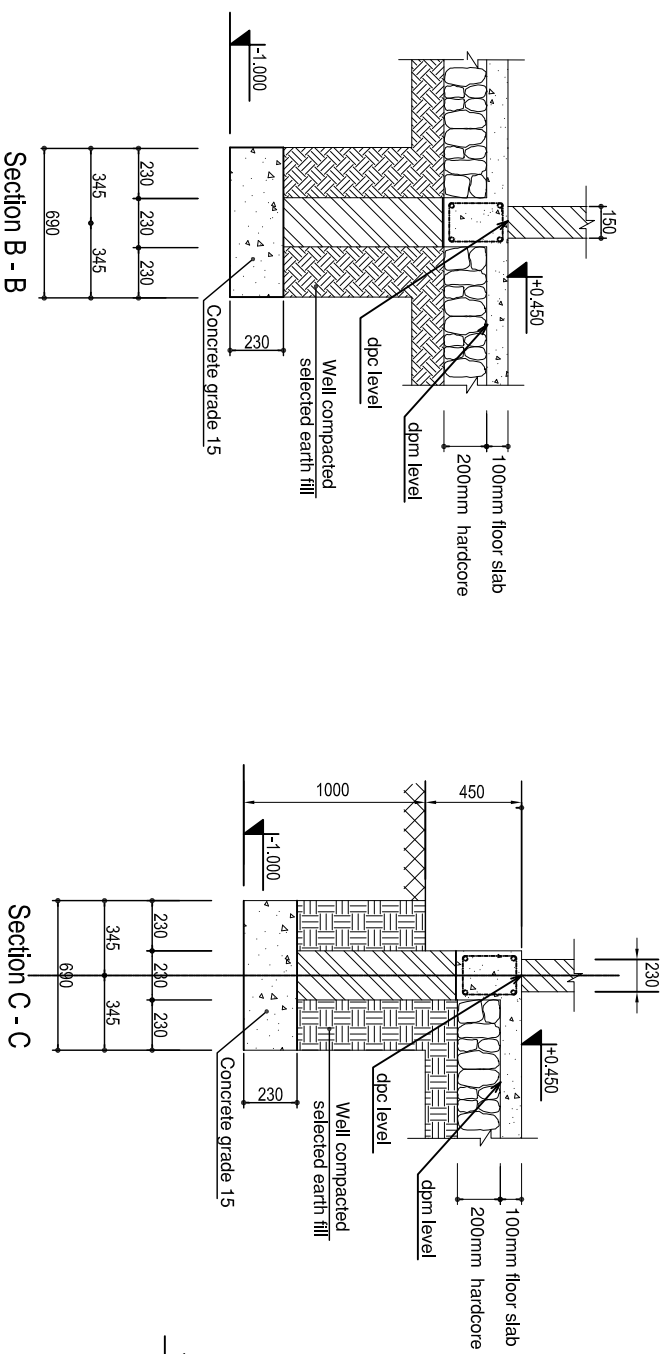
Drawn by: ENG. A. NGATOMELA

Checked by: Eng. R.A.M

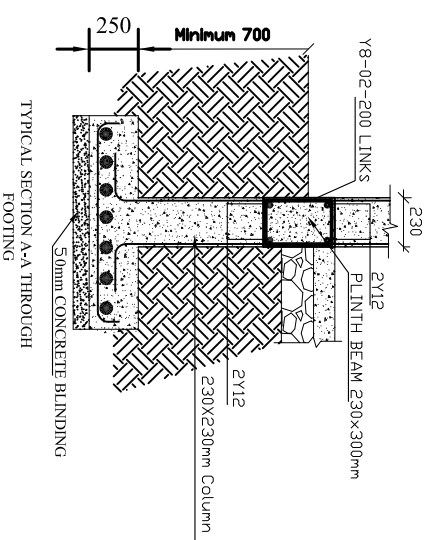
Approved by:

Date: **2018** Scale:

Drawing No. **RAD/STR.101** Sheet:



COLUMN FOOTING F1 4ANKS
1200x1200x250mm



Section D - D: Ramp Details

FOUNDATION DETAILS

NOTE:

1. All dimensions are in mm unless otherwise specified
2. All discrepancies shall be referred to the structural engineer
3. Reinforced concrete shall be of grade 20 with $f_{cu}=25N/mm^2$ at 28 days of age
4. Main reinforcements shall be high tensile steel with $f_y = 460N/mm^2$
5. Nominal cover to the reinforcements:
 - a) Foundation 50mm
 - b) Column 25mm
 - c) Beam 25mm
 - d) Slab 25mm

PROJECT:

**PROPOSED STANDARD
DRAWINGS FOR COUNCIL
HOSPITALS IN TANZANIA**

CLIENT:

**PRESIDENT'S OFFICE
REGIONAL ADMINISTRATION
LOCAL GOVERNMENT**

**MINISTRY OF HEALTH,
COMMUNITY DEVELOPMENT,
GENDER AND CHILDREN**

**DRAWING TITLE:
RADIOLOGY DEPARTMENT
FOUNDATION DETAILS**

Designed by: Eng. R.A.M

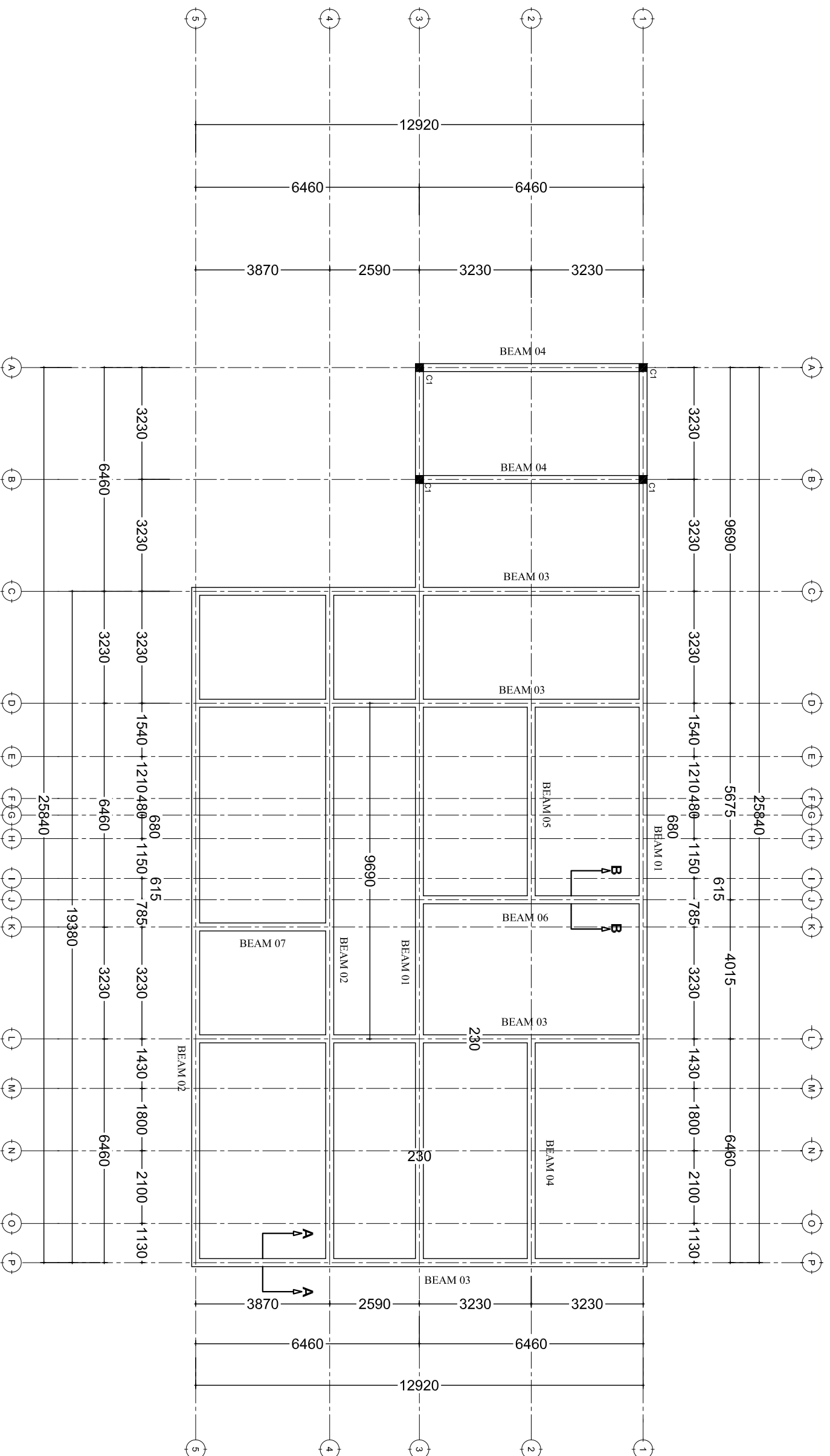
Drawn by: ENG. A.NGATOMELA

Checked by: Eng. R.A.M

Approved by:

Date: **2018** Scale:

Drawing No. **RAD/STR.102** Sheet:



PLINTH BEAM LAYOUT

- NOTE:**
- All dimensions are in mm unless otherwise specified
 - All discrepancies shall be referred to the structural engineer
 - Reinforced concrete shall be of grade 20 with $f_{cu}=25N/mm^2$ at 28 days of age
 - Main reinforcements shall be high tensile steel with $f_y = 460N/mm^2$
 - Nominal cover to the reinforcements:
 - Foundation 50mm
 - Column 25mm
 - Beam 25mm
 - Slab 25mm

PROJECT:
**PROPOSED STANDARD
 DRAWINGS FOR COUNCIL
 HOSPITALS IN TANZANIA**

CLIENT:
**PRESIDENT'S OFFICE
 REGIONAL ADMINISTRATION
 LOCAL GOVERNMENT**

**MINISTRY OF HEALTH,
 COMMUNITY DEVELOPMENT,
 GENDER AND CHILDREN**

DRAWING TITLE:
**RADIOLOGY DEPARTMENT
 PLINTH BEAM LAYOUT**

Designed by: Eng. R.A.M

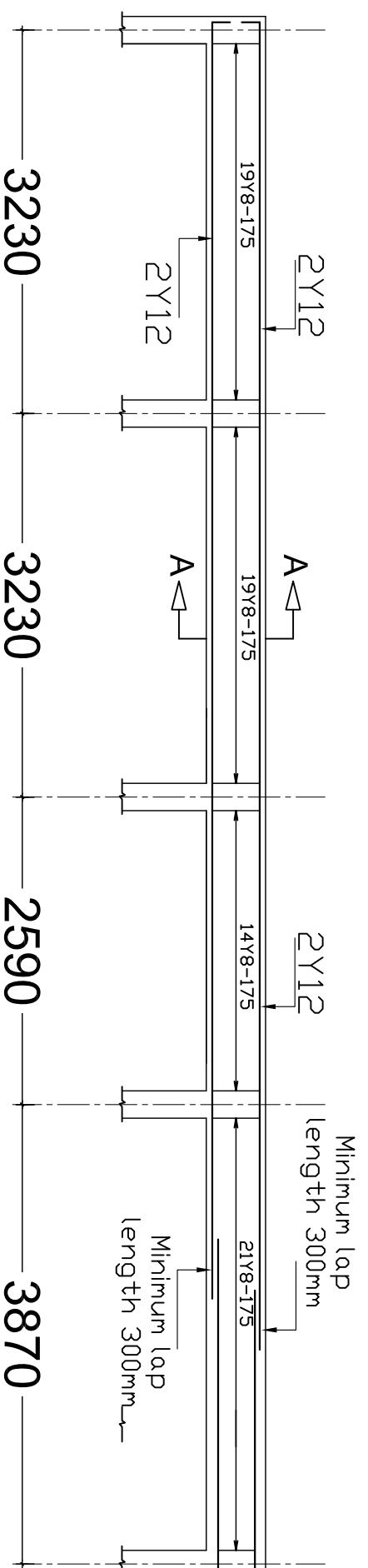
Drawn by: ENG. A.NGATOMELA

Checked by: Eng. R.A.M

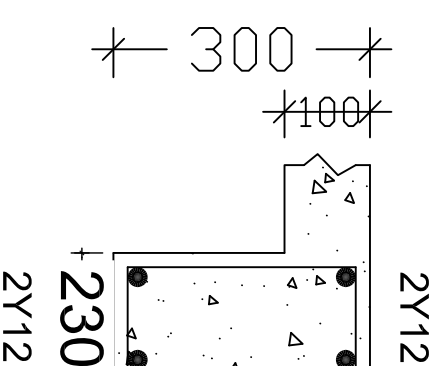
Approved by:

Date: **2018** Scale:

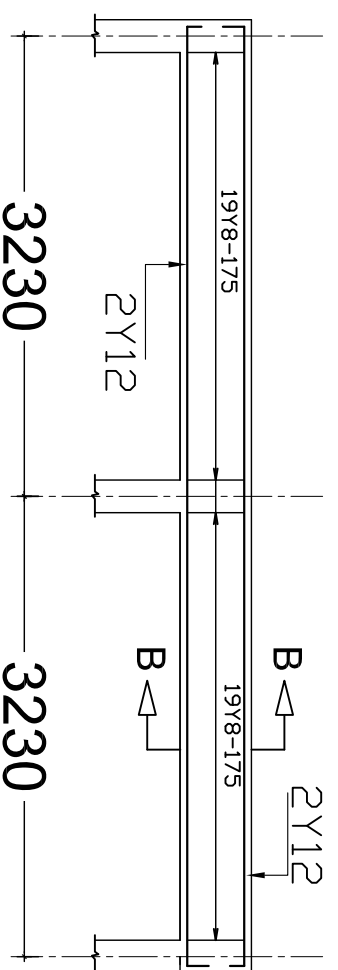
Drawing No. **RAD/STR.103** Sheet:



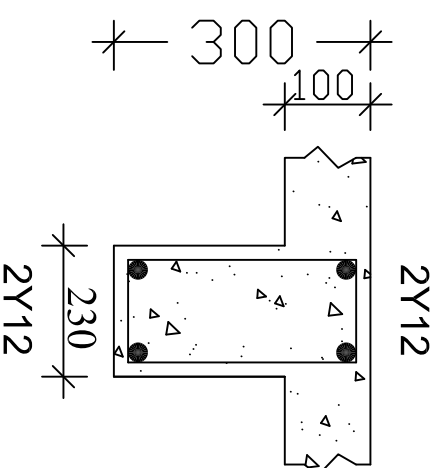
TYPICAL PLINTH BEAM 03
SECTION 230x300mm FDR
ALL EXTERNAL BEAMS



SECTION A-A



TYPICAL PLINTH BEAM 06
SECTION 230x300mm FDR
ALL INTERNAL BEAMS



SECTION B-B

NOTE:

1. All dimensions are in mm unless otherwise specified
2. All discrepancies shall be referred to the structural engineer
3. Reinforced concrete shall be of grade 20 with $f_{cu}=25N/mm^2$ at 28 days of age
4. Main reinforcements shall be high tensile steel with $f_y = 460N/mm^2$
5. Nominal cover to the reinforcements:
 - a) Foundation 50mm
 - b) Column 25mm
 - c) Beam 25mm
 - d) Slab 25mm

PROJECT:

**PROPOSED STANDARD
DRAWINGS FOR COUNCIL
HOSPITALS IN TANZANIA**

CLIENT:

**PRESIDENT'S OFFICE
REGIONAL ADMINISTRATION
LOCAL GOVERNMENT**

**MINISTRY OF HEALTH,
COMMUNITY DEVELOPMENT,
GENDER AND CHILDREN**

**DRAWING TITLE:
RADIOLOGY DEPARTMENT
PLINTH BEAM DETAILS**

Designed by: Eng. R.A.M

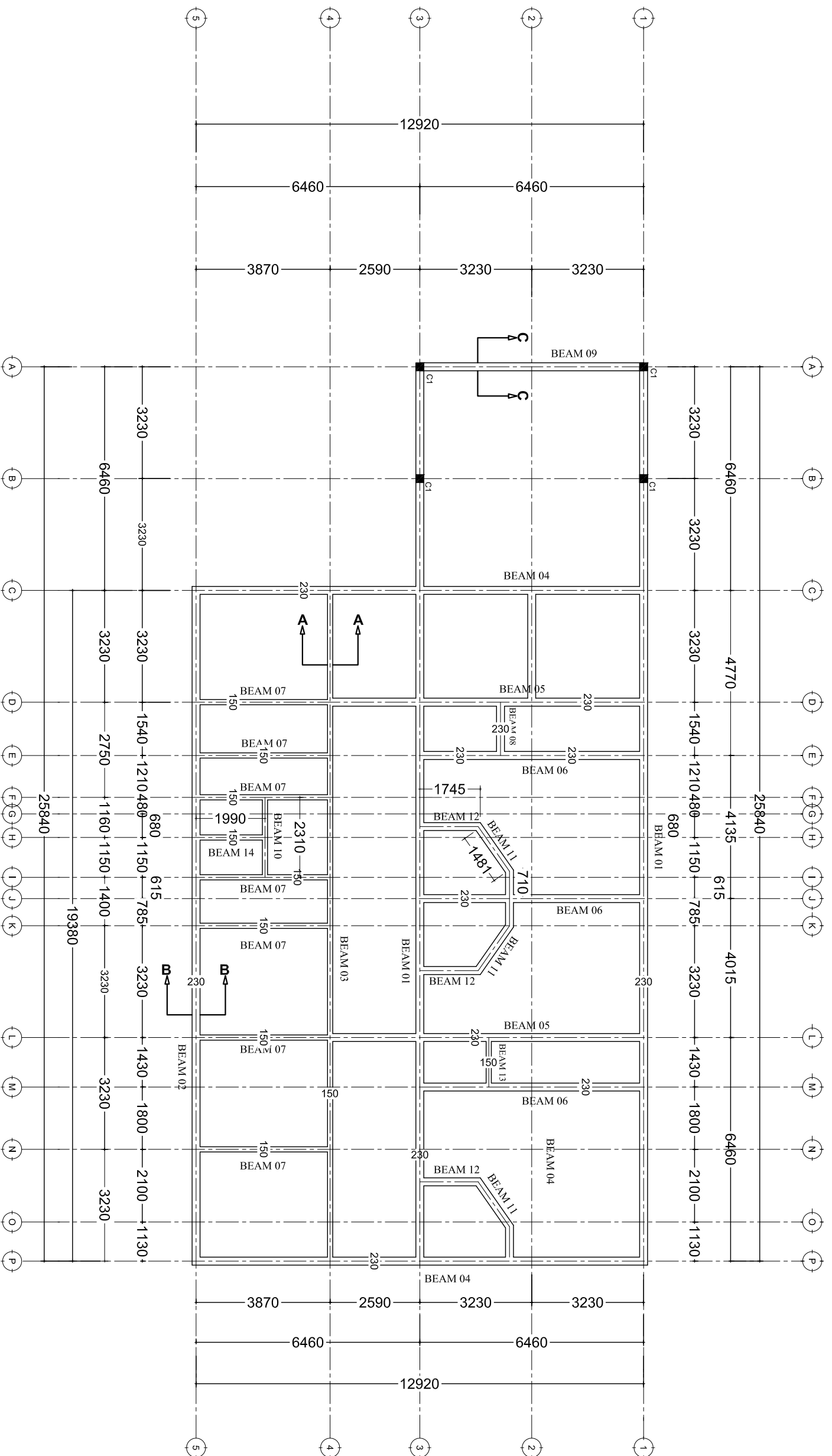
Drawn by: ENG. A. NGATOMELA

Checked by: Eng. R.A.M

Approved by:

Date: **2018** Scale:

Drawing No. **RAD/STR.104** Sheet:



RING BEAM LAYOUT

NOTE:

1. All dimensions are in mm unless otherwise specified
2. All discrepancies shall be referred to the structural engineer
3. Reinforced concrete shall be of grade 20 with $f_{cu}=25N/mm^2$ at 28 days of age
4. Main reinforcements shall be high tensile steel with $f_y = 460N/mm^2$
5. Nominal cover to the reinforcements:
 - a) Foundation 50mm
 - b) Column 25mm
 - c) Beam 25mm
 - d) Slab 25mm

PROJECT:

**PROPOSED STANDARD
DRAWINGS FOR COUNCIL
HOSPITALS IN TANZANIA**

CLIENT:

**PRESIDENT'S OFFICE
REGIONAL ADMINISTRATION
LOCAL GOVERNMENT**

**MINISTRY OF HEALTH,
COMMUNITY DEVELOPMENT,
GENDER AND CHILDREN**

**DRAWING TITLE:
RADIOLOGY DEPARTMENT
RING BEAM LAYOUT**

Designed by: Eng. R.A.M

Drawn by: ENG. A.NGATOMELA

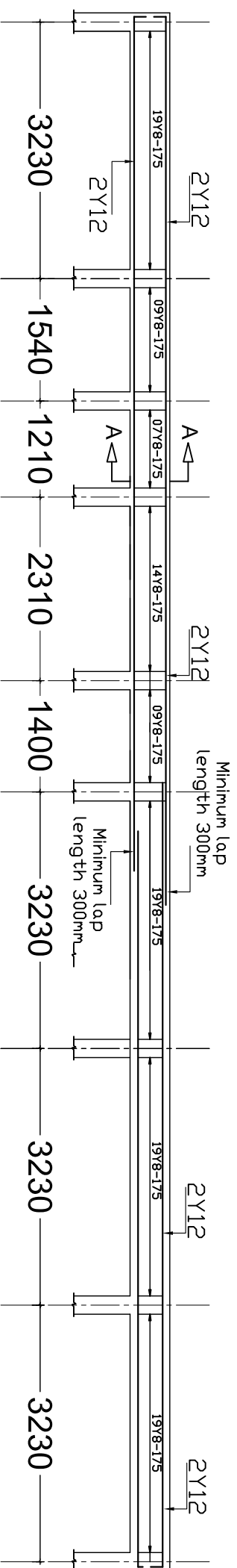
Checked by: Eng. R.A.M

Approved by:

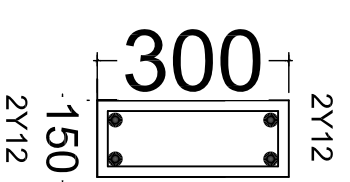
Date: **2018** Scale:

Drawing No. Sheet:

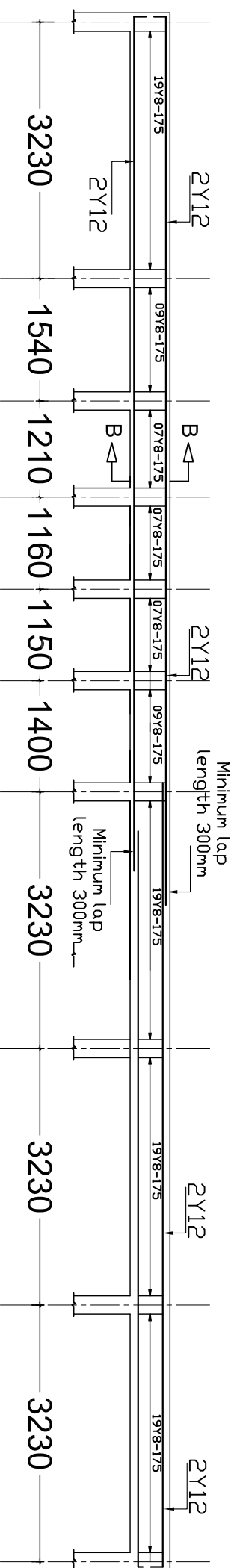
RAD/STR.105



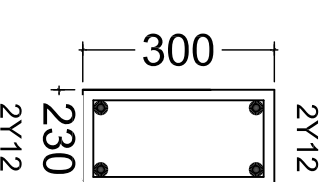
TYPICAL RING BEAM 03
SECTION 150x300mm



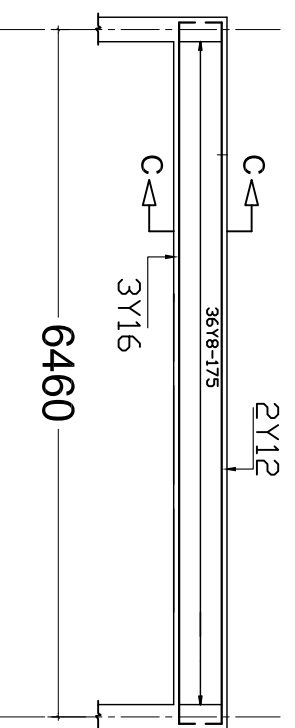
SECTION A-A



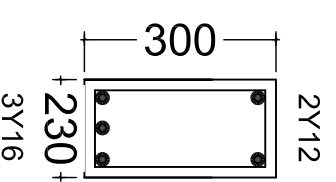
TYPICAL RING BEAM 02
SECTION 230x300mm



SECTION B-B



RING BEAM 09
SECTION 230x300mm



SECTION C-C

NOTE:

1. All dimensions are in mm unless otherwise specified
2. All discrepancies shall be referred to the structural engineer
3. Reinforced concrete shall be of grade 20 with $f_{cu}=25N/mm^2$ at 28 days of age
4. Main reinforcements shall be high tensile steel with $f_y = 460N/mm^2$
5. Nominal cover to the reinforcements:
 - a) Foundation 50mm
 - b) Column 25mm
 - c) Beam 25mm
 - d) Slab 25mm

PROJECT:

**PROPOSED STANDARD
DRAWINGS FOR COUNCIL
HOSPITALS IN TANZANIA**

CLIENT:

**PRESIDENT'S OFFICE
REGIONAL ADMINISTRATION
LOCAL GOVERNMENT**

**MINISTRY OF HEALTH,
COMMUNITY DEVELOPMENT,
GENDER AND CHILDREN**

DRAWING TITLE:

**RADIOLOGY DEPARTMENT
RING BEAM DETAILS**

Designed by: Eng. R.A.M

Drawn by: ENG. A. NGATOMELA

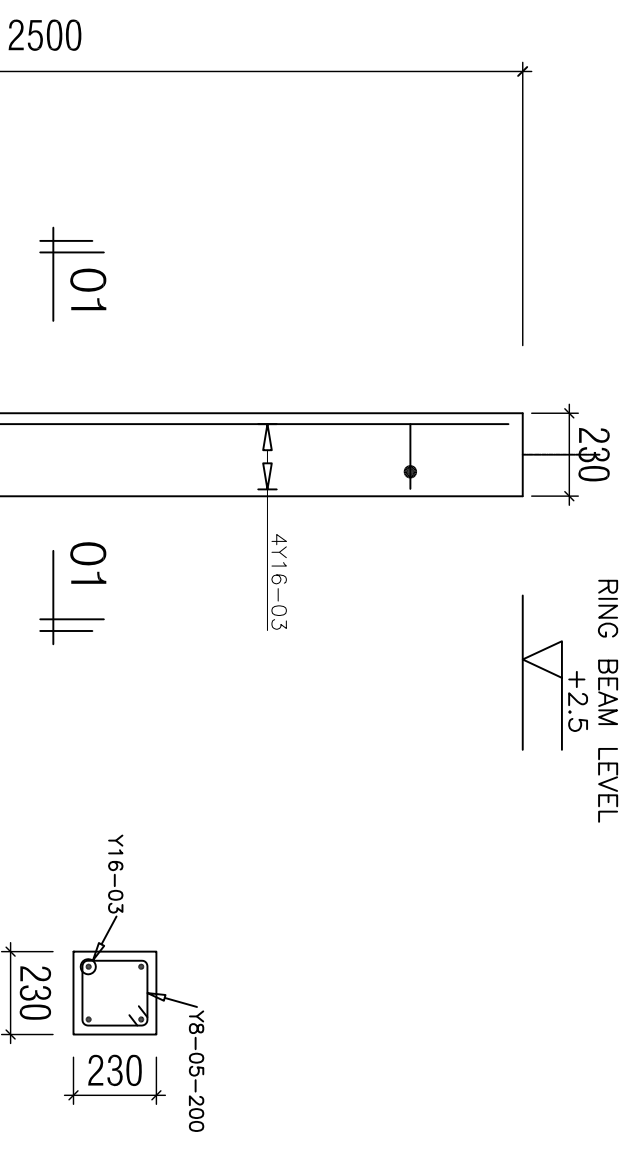
Checked by: Eng. R.A.M

Approved by:

Date: 2018 Scale:

Drawing No. Sheet:

RAD/STR.106



**COLUMN C1
DETAIL 01
(230x230mm)**
SCALE 1:25

NOTE:

1. All dimensions are in mm unless otherwise specified
2. All discrepancies shall be referred to the structural engineer
3. Reinforced concrete shall be of grade 20 with $f_{cu}=25N/mm^2$ at 28 days of age
4. Main reinforcements shall be high tensile steel with $f_y = 460N/mm^2$
5. Nominal cover to the reinforcements:
 - a) Foundation 50mm
 - b) Column 25mm
 - c) Beam 25mm
 - d) Slab 25mm

PROJECT:

**PROPOSED STANDARD
DRAWINGS FOR COUNCIL
HOSPITALS IN TANZANIA**

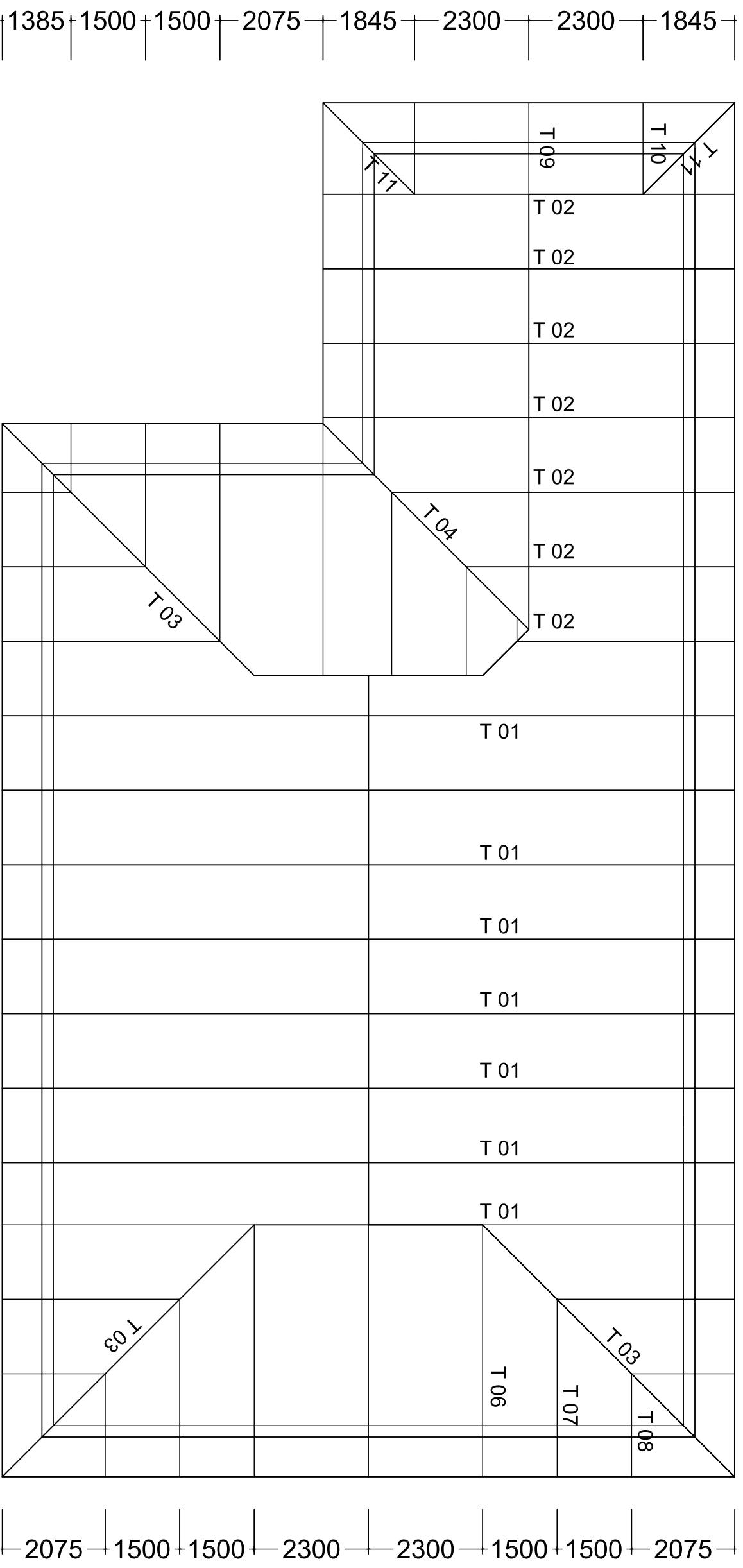
CLIENT:

**PRESIDENT'S OFFICE
REGIONAL ADMINISTRATION
LOCAL GOVERNMENT**

**MINISTRY OF HEALTH,
COMMUNITY DEVELOPMENT,
GENDER AND CHILDREN**

**DRAWING TITLE:
RADIOLOGY DEPARTMENT
COLUMN DETAILS**

Designed by:	Eng. R.A.M
Drawn by:	ENG. A.NGATOMELA
Checked by:	Eng. R.A.M
Approved by:	
Date:	2018
Drawing No.	RAD/STR.107
Scale:	
Sheet:	



TRUSS LAYOUT

NOTE:

1. All dimensions are in mm unless otherwise specified
2. All discrepancies shall be referred to the structural engineer
3. Reinforced concrete shall be of grade 20 with $f_{cu}=25N/mm^2$ at 28 days of age
4. Main reinforcements shall be high tensile steel with $f_y = 460N/mm^2$
5. Nominal cover to the reinforcements:
 - a) Foundation 50mm
 - b) Column 25mm
 - c) Beam 25mm
 - d) Slab 25mm

PROJECT:

PROPOSED STANDARD DRAWINGS FOR COUNCIL HOSPITALS IN TANZANIA

CLIENT:

PRESIDENT'S OFFICE REGIONAL ADMINISTRATION LOCAL GOVERNMENT

MINISTRY OF HEALTH, COMMUNITY DEVELOPMENT, GENDER AND CHILDREN

DRAWING TITLE:

RADIOLOGY DEPARTMENT TRUSS LAYOUT

Designed by: Eng. R.A.M

Drawn by: ENG. A.NGATOMELA

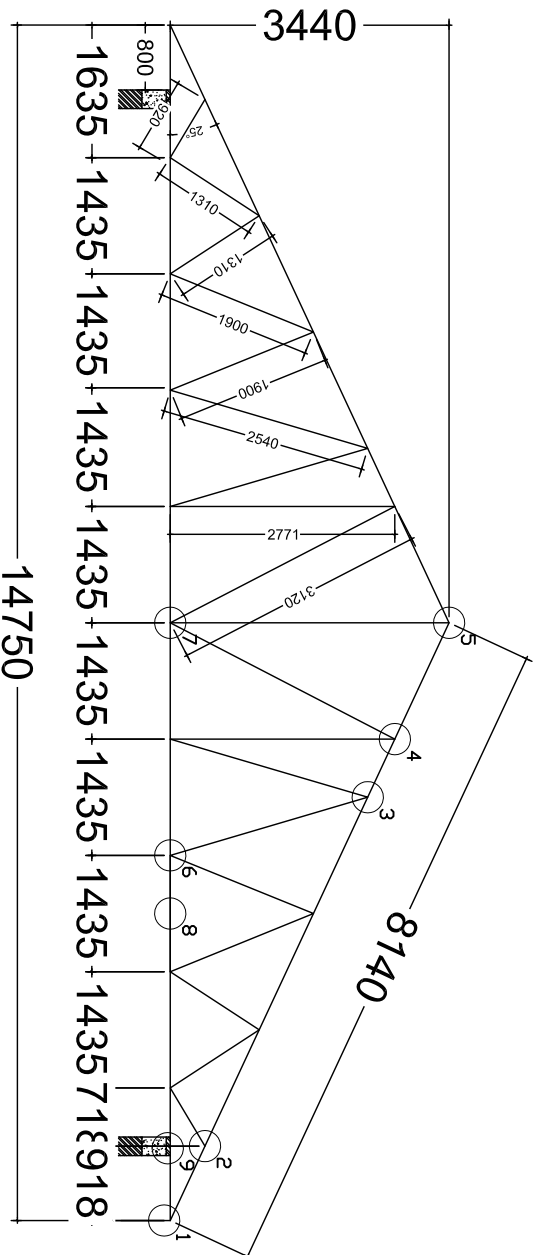
Checked by: Eng. R.A.M

Approved by:

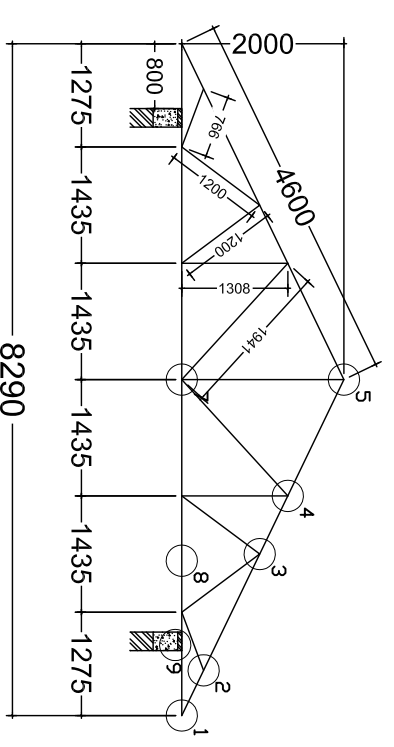
Date: **2018** Scale:

Drawing No. **RAD/STR.108** Sheet:

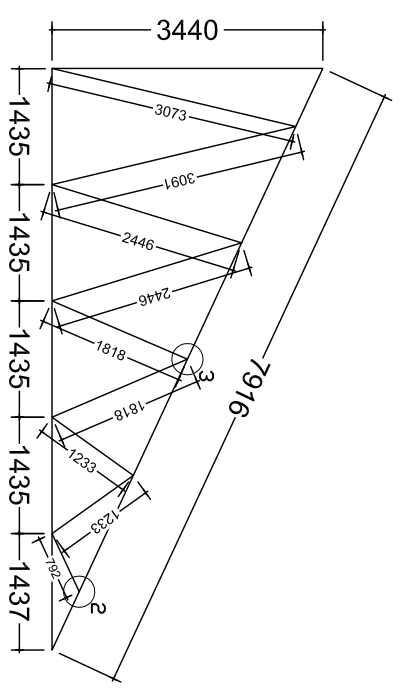
- NOTE:**
1. All dimensions are in mm unless otherwise specified
 2. All discrepancies shall be referred to the structural engineer
 3. Reinforced concrete shall be of grade 20 with $f_{cu}=25N/mm^2$ at 28 days of age
 4. Main reinforcements shall be high tensile steel with $f_y = 460N/mm^2$
 5. Nominal cover to the reinforcements:
 - a) Foundation 50mm
 - b) Column 25mm
 - c) Beam 25mm
 - d) Slab 25mm



TYPICAL ROOF TRUSS T01



TYPICAL ROOF TRUSS T02



TYPICAL ROOF TRUSS T03

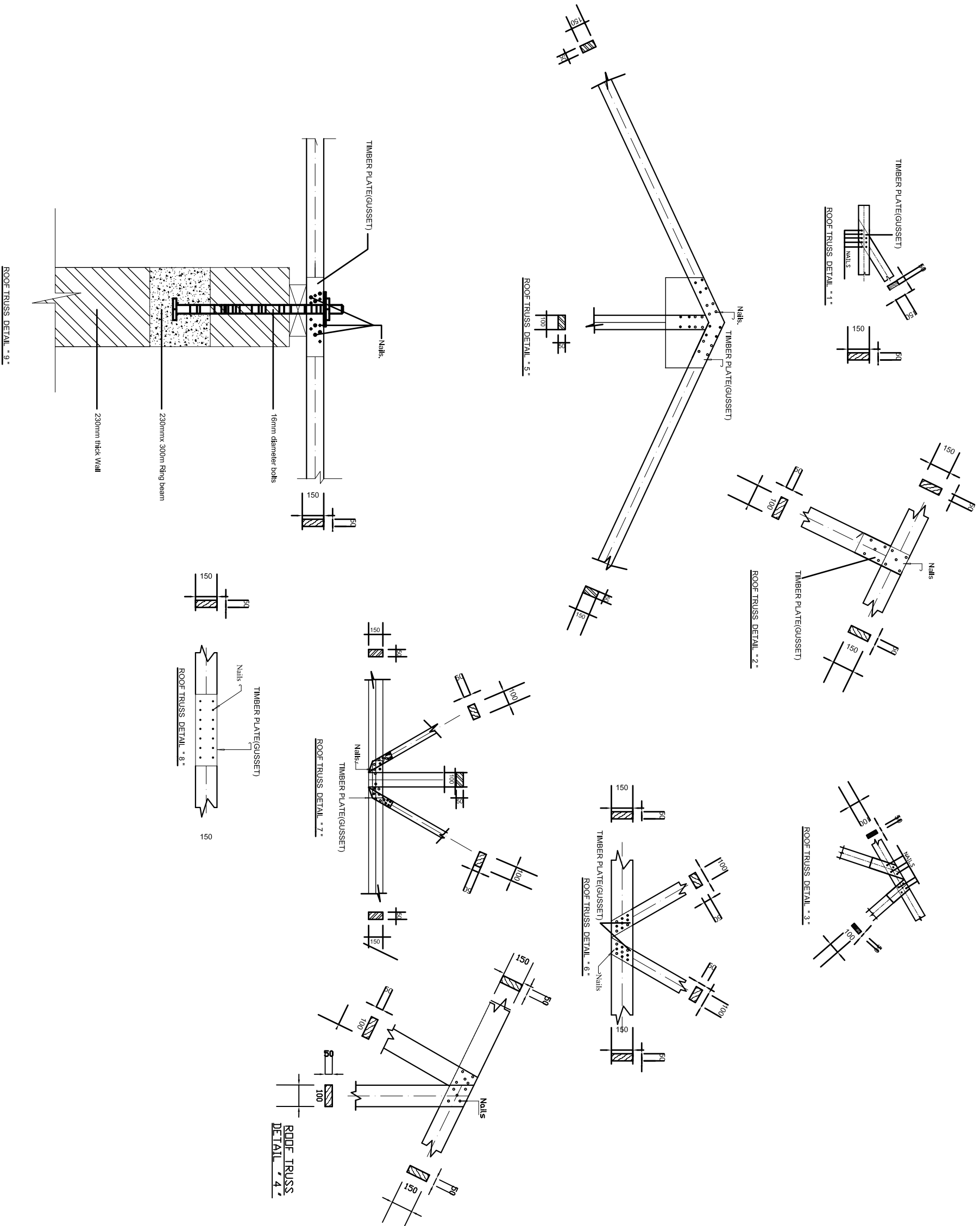
PROJECT:
PROPOSED STANDARD DRAWINGS FOR COUNCIL HOSPITALS IN TANZANIA

CLIENT: PRESIDENT'S OFFICE
 REGIONAL ADMINISTRATION
 LOCAL GOVERNMENT
 MINISTRY OF HEALTH,
 COMMUNITY DEVELOPMENT,
 GENDER AND CHILDREN

DRAWING TITLE:
RADIOLOGY DEPARTMENT TRUSS

Designed by: Eng. R.A.M
 Drawn by: ENG. A.NGATOMELA
 Checked by: Eng. R.A.M
 Approved by:

Date: 2018
 Scale:
 Drawing No. RAD/STR.109
 Sheet:



NOTE:

1. All dimensions are in mm unless otherwise specified
2. All discrepancies shall be referred to the structural engineer
3. Reinforced concrete shall be of grade 20 with $f_{cu}=25N/mm^2$ at 28 days of age
4. Main reinforcements shall be high tensile steel with $f_y = 460N/mm^2$
5. Nominal cover to the reinforcements:
 - a) Foundation 50mm
 - b) Column 25mm
 - c) Beam 25mm
 - d) Slab 25mm

PROJECT:

PROPOSED STANDARD DRAWINGS FOR COUNCIL HOSPITALS IN TANZANIA

CLIENT:

**PRESIDENT'S OFFICE
REGIONAL ADMINISTRATION
LOCAL GOVERNMENT**

**MINISTRY OF HEALTH,
COMMUNITY DEVELOPMENT,
GENDER AND CHILDREN**

DRAWING TITLE:

RADIOLOGY DEPARTMENT TRUSS DETAILS & CONNECTION 01

Designed by: Eng. R.A.M

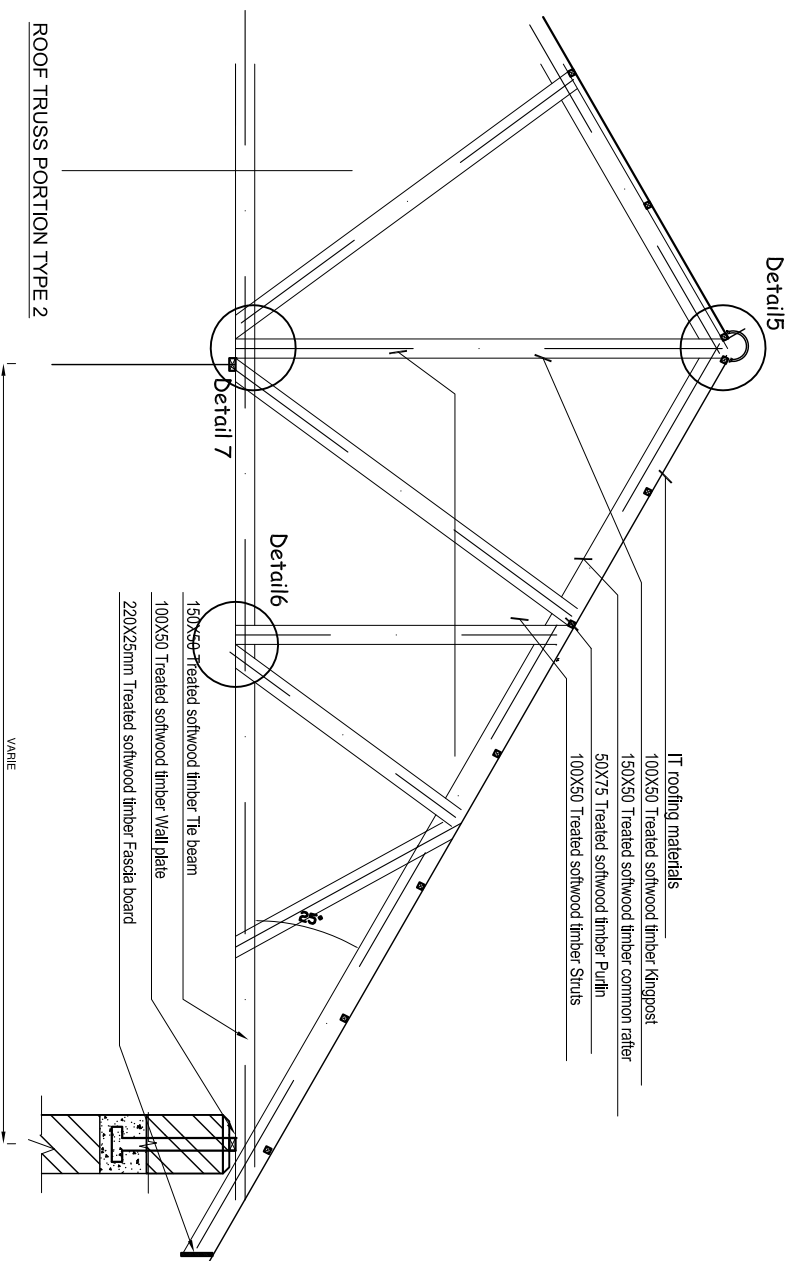
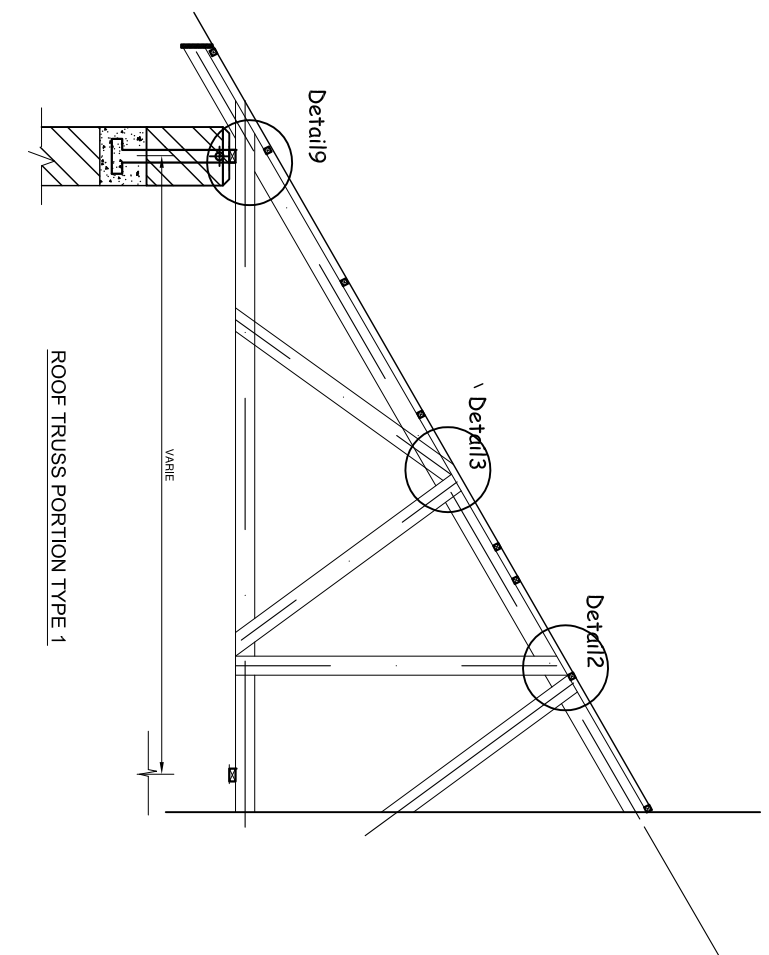
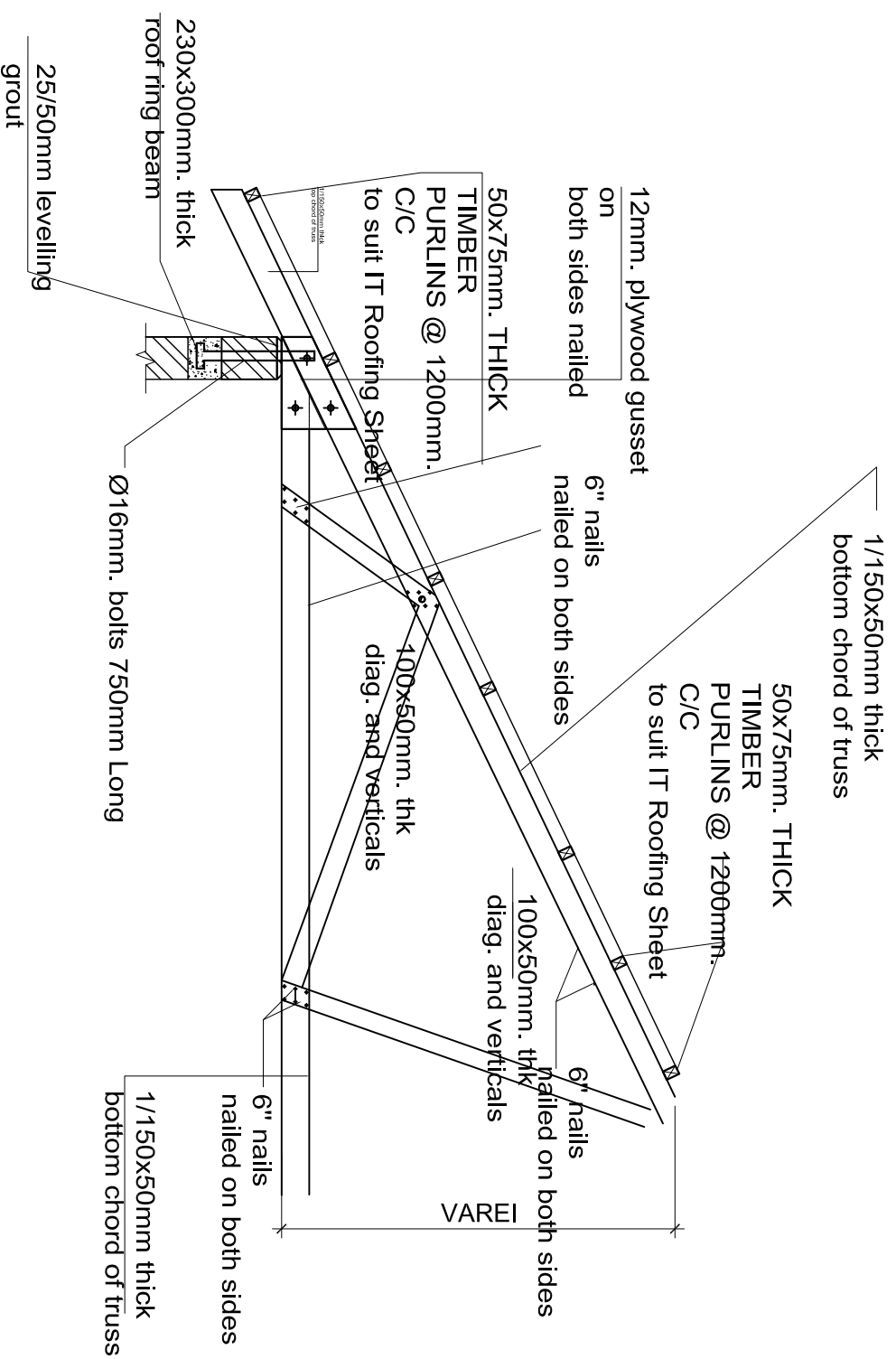
Drawn by: ENG. A.NGATOMELA

Checked by: Eng. R.A.M

Approved by:

Date: **2018** Scale:

Drawing No. **RAD/STR.110** Sheet:



<p>NOTE:</p> <ol style="list-style-type: none"> All dimensions are in mm unless otherwise specified All discrepancies shall be referred to the structural engineer Reinforced concrete shall be of grade 20 with $f_{cu}=25N/mm^2$ at 28 days of age Main reinforcements shall be high tensile steel with $f_y = 460N/mm^2$ Nominal cover to the reinforcements: <ol style="list-style-type: none"> Foundation 50mm Column 25mm Beam 25mm Slab 25mm 	
<p>PROJECT:</p> <p>PROPOSED STANDARD DRAWINGS FOR COUNCIL HOSPITALS IN TANZANIA</p>	
<p>CLIENT:</p> <p>PRESIDENT'S OFFICE REGIONAL ADMINISTRATION LOCAL GOVERNMENT</p>	
<p>MINISTRY OF HEALTH, COMMUNITY DEVELOPMENT, GENDER AND CHILDREN</p>	
<p>DRAWING TITLE:</p> <p>RADIOLOGY DEPARTMENT TRUSS DETAILS & CONNECTION 02</p>	
Designed by:	Eng. R.A.M
Drawn by:	ENG. A. NGATOWELA
Checked by:	Eng. R.A.M
Approved by:	
Date:	2018
Scale:	
Drawing No.	Sheet:
RAD/STR.110	